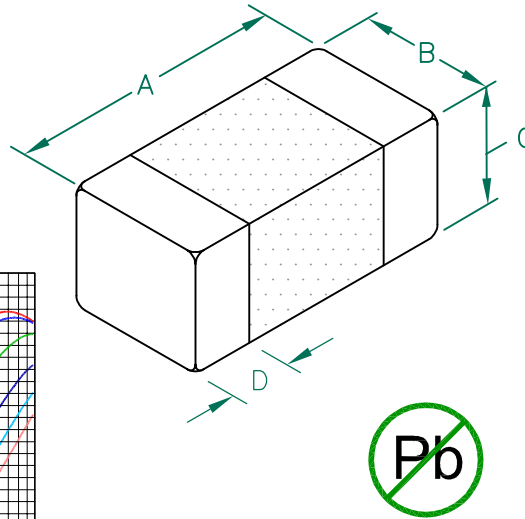


MI0603J680R-10

UNCONTROLLED DOCUMENT

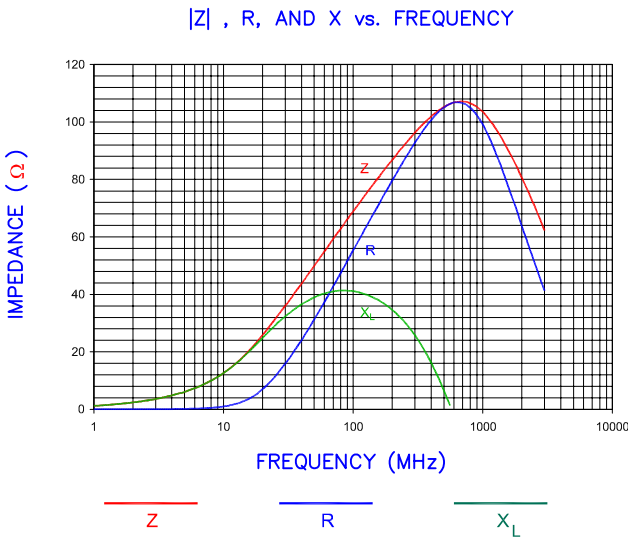
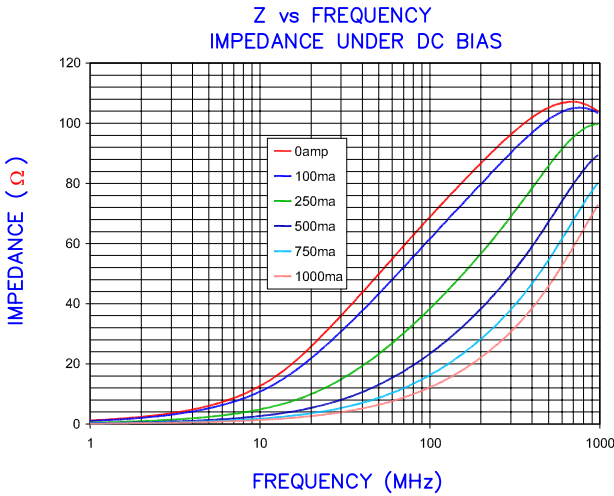
PHYSICAL DIMENSIONS:

A	1.60 [.063]	+ 0.15	-.006	[.006]
B	0.80 [.031]	+ 0.15	-.006	[.006]
C	0.80 [.031]	+ 0.15	-.006	[.006]
D	0.36 [.014]	+ 0.15	-.006	[.006]

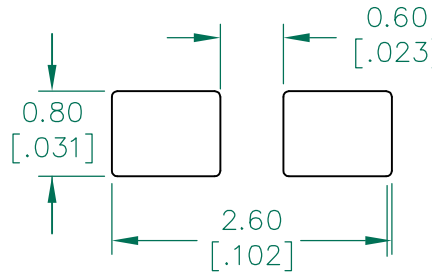


ELECTRICAL CHARACTERISTICS:

	Z @ 100MHz (Ω)	DCR (Ω)	Rated Current
Nominal	68		
Minimum	51		
Maximum	85	0.10	1000 mA

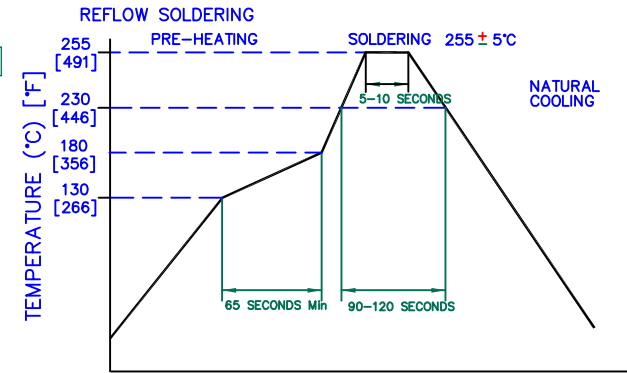


LAND PATTERNS FOR REFLOW SOLDERING



(For wave soldering, add 0.762 [.030] to this dimension)

RECOMMENDED SOLDERING CONDITIONS



DIMENSIONS ARE IN mm [INCHES].				This print is the property of Laird Tech. and is loaned in confidence subject to return upon request and with the understanding that no copies shall be made without the written consent of Laird Tech. All rights to design or invention are reserved.			
				Laird			
				PROJECT/PART NUMBER: MI0603J680R-10			
				REV: C		PART TYPE: CO-FIRE	DRAWN BY: TMB
C ADD OPERATING TEMPERATURE UPDATE LAIRD LOGO AND REFLOW CURVE 08/05/13 QU				DATE: 03/30/04		SCALE: -	SHEET: 2 of 2
B UPDATE COMPANY LOGO ADD ROHS SYM 07/24/08 JRK				DATE: 03/30/04		SCALE: -	SHEET: 2 of 2
A ORIGINAL DRAFT 03/30/04 TMB				DATE: 03/30/04		SCALE: -	SHEET: 2 of 2
REV DESCRIPTION DATE INT				CAD #		TOOL #	SHEET: 2 of 2
				MI0603J680R-10-C			