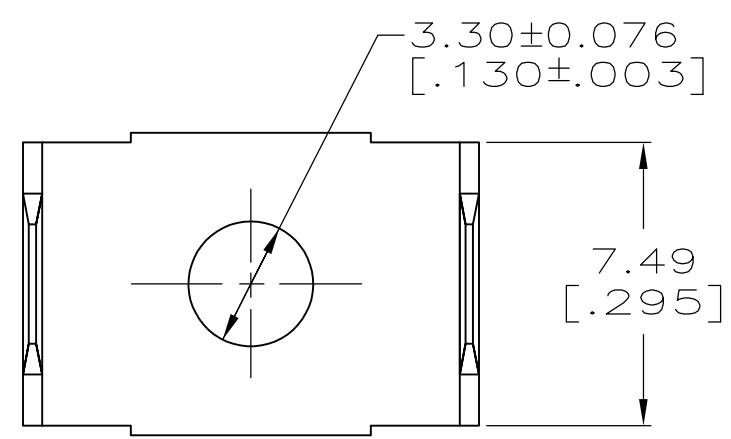
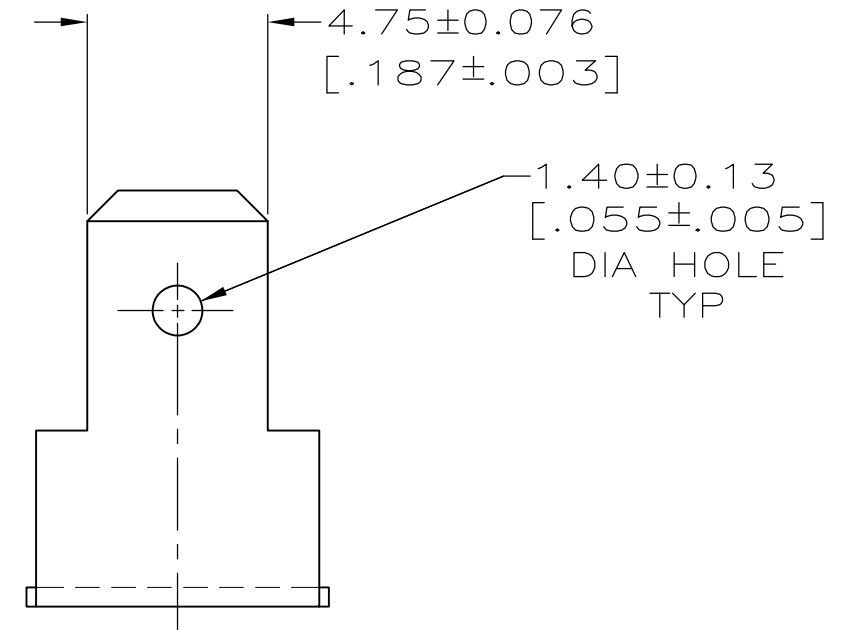
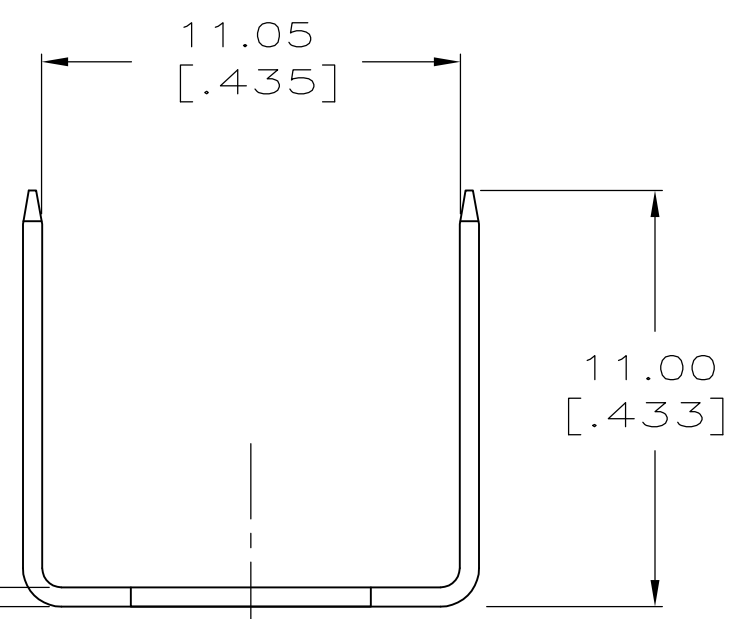


THIS DRAWING IS UNPUBLISHED. RELEASED FOR PUBLICATION
 © COPYRIGHT - By - ALL RIGHTS RESERVED.

LOC	DIST	REVISIONS			
P	LTR	DESCRIPTION	DATE	DWN	APVD
AF	50	D	REVISED PER ECR-13-011489	05DEC2013	KH PD



1 CONTINUOUS STRIP ON REELS.



0.51±0.025
[.020±.001]

61951-1
PART NO.

THIS DRAWING IS A CONTROLLED DOCUMENT.		DWN	JR RUTH	30JUN99	STE TE Connectivity		
DIMENSIONS: mm [INCHES]		CHK	MS FEHER	30JUN99			
TOLERANCES UNLESS OTHERWISE SPECIFIED:		APVD	P DESANTIS	30JUN99	NAME		
0 PLC ± -		PRODUCT SPEC		TAB, FASTON, .187 SERIES			
1 PLC ± -		APPLICATION SPEC		SIZE	CAGE CODE	DRAWING NO	RESTRICTED TO
2 PLC ± 0.38 [.015]		MATERIAL		A3 00779		C-61951	-
3 PLC ± -		FINISH		CUSTOMER DRAWING			SCALE
4 PLC ± -		TIN		SCALE 5:1			SHEET
ANGLES ± -		WEIGHT			1 OF 1		
MATERIAL		CUSTOMER DRAWING			REV		
BRASS		CUSTOMER DRAWING			D		