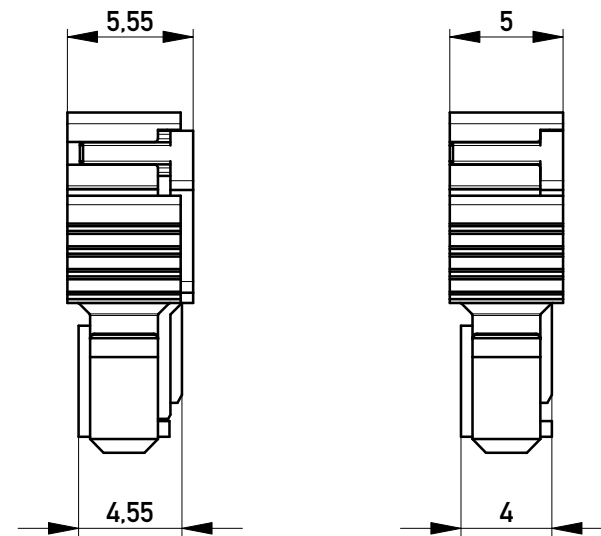
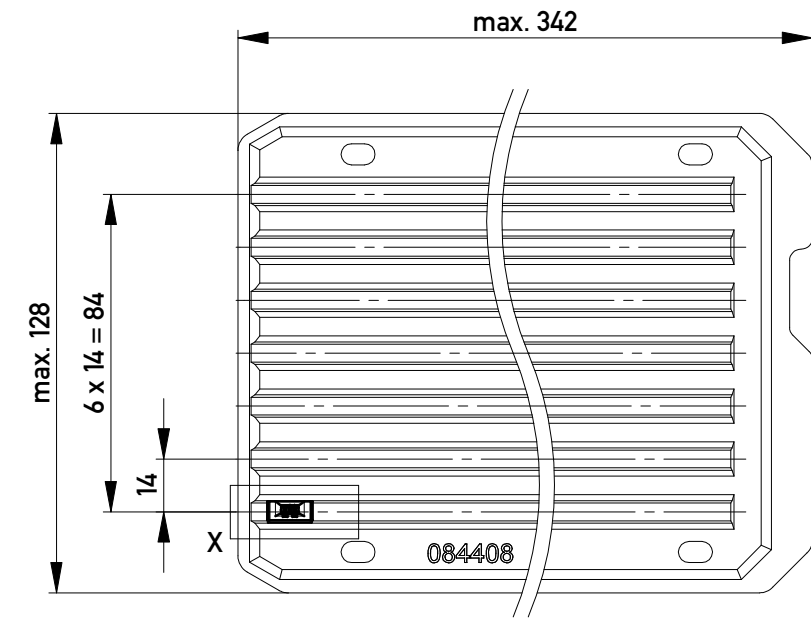


Abdeckung vorverrastet  
cover loose mounted

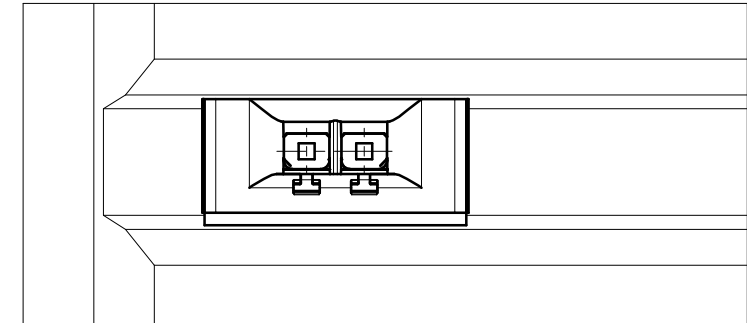
Abdeckung verpresst  
cover pressed on



Verpackt in Tray - tray packaging  
Verpackungseinheit 182 Stück - packaging unit 182



Einzelheit X  
detail X



Copyright by ERNI GmbH Proprietary notice pursuant to ISO 16016 to be observed.	Information: Codierung rot - coding red		Tolerances 	Scale <b>3:1</b>		
	All rights reserved. Only for Information. To ensure that this is the latest version of this drawing, please contact one of the ERNI companies before using.		Subject to modification without prior notice. Drawing will not be updated.		Designation <b>F 2.54 SRC-A, 2-polig BA 2</b>	
		<a href="http://www.ERNI.com">www.ERNI.com</a>		<b>103802070001</b>		K
c Index	14.05.2014 Date			Class SRCBUG		<b>A3</b>