

Low voltage 16-bit constant current LED sink driver with output error detection and auto power-saving for automotive applications

Datasheet - production data



Description

The STAP16DPPS05 is a monolithic, low voltage, low current power 16-bit shift register designed for LED panel displays. The device contains a 16-bit serial-in, parallel-out shift register that feeds a 16-bit D-type storage register. In the output stage, sixteen regulated current sources are designed to provide 3 to 40 mA of constant current to drive the LEDs.

The STAP16DPPS05 features the open and short LED detection on the outputs. The detection circuit checks 3 different conditions which may occur on the output line: short to GND, short to V_O or open line. The data detection results are loaded in the shift register and shifted out via the serial line output. The detection functionality is implemented without increasing the pin number through a secondary function of the output enable and latch pin (DM1 and DM2 respectively). A dedicated logic sequence allows the device to enter or leave detection mode. Through an external resistor, users can adjust the output current of the STP16DPPS05 thus controlling the light intensity of the LEDs. In addition, the user can adjust the intensity of the brightness of the LED's from 0% to 100% through the $\overline{OE/DM2}$ pin. The auto power shutdown and auto power-ON feature allows the device to save power with no external intervention. The STAP16DPPS05 guarantees a 20 V output driving capability, allowing users to connect more LEDs in series. The high clock frequency, 30 MHz also satisfies the system requirement of high volume data transmission. The 3.3 V of voltage supply is very useful for applications interfacing any microcontroller from 3.3 V micro. Compared with a standard TSSOP package, the TSSOP exposed pad increases the capability of heat dissipation by a factor of 2.5.

Features

- AECQ100 qualification
- Low voltage power supply down to 3 V
- 16 constant current output channels
- Adjustable output current through external resistor
- Short and open output error detection
- Serial data IN/parallel data OUT
- 3.3 V micro driver-able
- Auto power-saving
- Output current: 3 - 40 mA
- Auto power-saving
- Max. clock frequency: 30 MHz
- 20 V current generator rated voltage
- Power supply voltage: from 3 V to 5.5 V
- Thermal shutdown for overtemperature protection
- ESD protection 2.0 KV HBM

Applications

- Dashboard and infotainment backlighting
- Exterior/interior lighting
- DTRLs

Table 1. Device summary

Order code	Package	Packing
STAP16DPPS05XTTR	HTSSOP24 (exposed pad)	2500 parts per reel

Contents

1	Summary description	5
1.1	Pin connections and description	5
2	Electrical ratings	7
2.1	Absolute maximum ratings	7
2.2	Thermal data	7
2.3	Recommended operating conditions	8
3	Electrical characteristics	9
4	Equivalent circuit and outputs	11
5	Timing diagrams	13
6	Typical characteristics	16
7	Error detection mode functionality	20
7.1	Phase one: entering error detection mode	20
7.2	Phase two: error detection	21
7.3	Phase three: resuming normal mode	23
7.4	Error detection conditions	23
7.5	Auto power-saving	25
8	Package information	27
8.1	TSSOP24 exposed pad package information	28
8.2	TSSOP24 exposed pad packing information	30
9	Revision history	32

List of tables

Table 1.	Device summary	1
Table 2.	Typical current accuracy	5
Table 3.	Pin description	5
Table 4.	Absolute maximum ratings	7
Table 5.	Thermal data	7
Table 6.	Recommended operating conditions	8
Table 7.	Electrical characteristics	9
Table 8.	Switching characteristics	10
Table 9.	Truth table	13
Table 10.	Enable IO: shutdown truth table	14
Table 11.	Output current vs. REXT resistor	16
Table 12.	ISET vs. dropout voltage (Vdrop)	17
Table 13.	Entering error detection mode - truth table	20
Table 14.	Resuming normal mode - timing diagram	23
Table 15.	Detection conditions (VDD = 3.3 to 5 V, temperature range -40 to 125 °C)	23
Table 16.	TSSOP24 exposed pad mechanical data	29
Table 17.	TSSOP24 exposed pad tape and reel mechanical data	31
Table 18.	Document revision history	32

List of figures

Figure 1.	Pin connections	5
Figure 2.	OE/DM2 terminal	11
Figure 3.	LE/DM1 terminal	11
Figure 4.	CLK, SDI terminal	11
Figure 5.	SDO terminal	12
Figure 6.	Block diagram	12
Figure 7.	Timing diagram	13
Figure 8.	Clock, serial-in, serial-out	14
Figure 9.	Clock, serial-in, latch, enable, outputs	15
Figure 10.	Outputs	15
Figure 11.	Output current vs. REXT resistor	16
Figure 12.	ISET vs. dropout voltage (V_{drop})	17
Figure 13.	Output current vs. $\pm \Delta IOL(\%)$	18
Figure 14.	I _{dd} ON/OFF	18
Figure 15.	Power dissipation vs. package temperature	19
Figure 16.	Turn-ON output current characteristics	19
Figure 17.	Turn-OFF output current characteristics	19
Figure 18.	Entering error detection mode - timing diagram	20
Figure 19.	Detection diagram	21
Figure 20.	Timing example for open and/or short-circuit detection	22
Figure 21.	Detection circuit	23
Figure 22.	Error detection sequence	24
Figure 23.	Auto power-saving feature	25
Figure 24.	Auto power-saving feature: first output TON	26
Figure 25.	TSSOP24 exposed pad package outline	28
Figure 26.	TSSOP24 exposed pad tape and reel outline	30

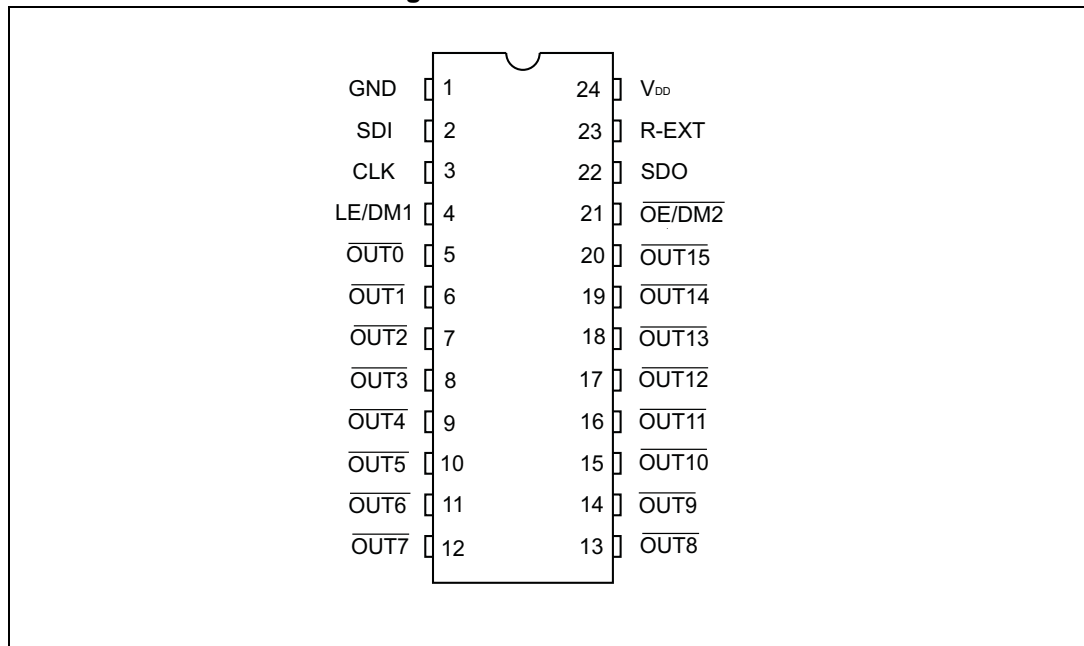
1 Summary description

Table 2. Typical current accuracy

Output voltage	Current accuracy		Output current	V _{DD}	Temperature
	Between bits	Between ICs			
≥ 1.3 V	± 1%	± 2%	5 to 40 mA	3.3 V to 5 V	25 °C

1.1 Pin connections and description

Figure 1. Pin connections



Note: The exposed pad is electrically connected to a metal layer electrically isolated or connected to ground.

Table 3. Pin description

Pin n°	Symbol	Name and function
1	GND	Ground terminal
2	SDI	Serial data input terminal
3	CLK	Clock input terminal
4	LE/DM1	Latch input terminal - detect mode 1 (see operation principle)
5-20	OUT-15	Output terminal
21	$\overline{\text{OE/DM2}}$	Input terminal of output enable (active low) - detect mode 1 (see operation principle)
22	SDO	Serial data out terminal
23	R-EXT	Input terminal for an external resistor for constant current programming
24	V _{DD}	Supply voltage terminal

2 Electrical ratings

2.1 Absolute maximum ratings

Stressing the device above the rating listed in the “absolute maximum ratings” table may cause permanent damage to the device. These are stress ratings only and operation of the device at these or any other conditions above those indicated in the operating sections of this specification is not implied. Exposure to absolute maximum rating conditions for extended periods may affect device reliability.

Table 4. Absolute maximum ratings

Symbol	Parameter	Value	Unit
V_{dd}	Supply voltage	0 to 7	V
V_O	Output voltage	-0.5 to 20	V
I_O	Output current	50	mA
V_I	Input voltage	-0.4 to V_{dd}	V
I_{GND}	GND terminal current	800	mA
f_{CLK}	Clock frequency	50	MHz
T_{OPR}	Operating temperature range	-40 to +150	°C
T_{STG}	Storage temperature range	-55 to +150	°C

2.2 Thermal data

Table 5. Thermal data

Symbol	Parameter	Value	Unit
$R_{thj-amb}$	Thermal resistance junction-ambient ⁽¹⁾	TSSOP24 ⁽²⁾ exposed pad	37.5 °C/W

1. According to JEDEC standard 51-7B.

2. The exposed pad should be soldered to the PCB in order to derive the thermal benefits.

2.3 Recommended operating conditions

Table 6. Recommended operating conditions

Symbol	Parameter	Test conditions	Min.	Typ.	Max.	Unit
V_{DD}	Supply voltage		3.0	-	5.5	V
V_O	Output voltage			-	20	V
I_O	Output current	OUTn	3	-	40	mA
I_{OH}	Output current	Serial-OUT		-	+1	mA
I_{OL}	Output current	Serial-OUT		-	-1	mA
V_{IH}	Input voltage		$0.7 V_{DD}$	-	V_{DD}	V
V_{IL}	Input voltage		-0.3	-	$0.3 V_{DD}$	V
t_{wLAT}	LE/DM1 pulse width	$V_{DD} = 3.0 \text{ V to } 5.0 \text{ V}$	20	-		ns
t_{wCLK}	CLK pulse width		10	-		ns
t_{wEN}	$\overline{OE/DM2}$ pulse width		100	-		ns
$t_{SETUP(D)}$	Setup time for DATA		8	-		ns
$t_{HOLD(D)}$	Hold time for DATA		5	-		ns
$t_{SETUP(L)}$	Setup time for LATCH		8	-		ns
f_{CLK}	Clock frequency	Cascade operation ⁽¹⁾		-	30	MHz

1. If the device is connected in cascade, it may not be possible to achieve the maximum data transfer. Please consider the timings carefully.

3 Electrical characteristics

$V_{DD} = 5\text{ V}$, $T_j = -40\text{ °C}$ to 125 °C , unless otherwise specified.

Table 7. Electrical characteristics

Symbol	Parameter	Test conditions	Min.	Typ.	Max.	Unit
V_{IH}	Input voltage high level		$0.7 \cdot V_{DD}$		V_{DD}	V
V_{IL}	Input voltage low level		GND		$0.3 \cdot V_{DD}$	
V_{OL}	Serial data output voltage (SDO)	$I_{OL} = +1\text{ mA}$		0.03	0.4	
V_{OH}		$I_{OH} = -1\text{ mA}$	$V_{DD}-0.4$			
I_{OH}	Output leakage current	$V_o = 19\text{ V}$, $OUT_n = \text{OFF}$		0.5	2	μA
ΔI_{OL1}	Current accuracy channel-to-channel ^{(1) (2)}	$V_{DD} = 3.3\text{ V}$, $V_O = 0.3\text{ V}$, $R_{ext} = 3.9\text{ k}\Omega$		± 1	± 5	%
ΔI_{OL2}		$V_{DD} = 3.3\text{ V}$, $V_O = 0.6\text{ V}$, $R_{ext} = 980\ \Omega$		± 0.5	± 4	
ΔI_{OL3}		$V_{DD} = 3.3\text{ V}$, $V_O = 1.3\text{ V}$, $R_{ext} = 490\ \Omega$		± 0.5	± 4	
ΔI_{OL2}	Current accuracy device-to-device ⁽¹⁾	$V_{DD} = 3.3\text{ V}$, $V_O = 0.6\text{ V}$, $R_{ext} = 980\ \Omega$			± 5	
ΔI_{OL3}		$V_{DD} = 3.3\text{ V}$, $V_O = 1.3\text{ V}$, $R_{ext} = 490\ \Omega$			± 6	
$R_{IN}(\text{up})$	Pull-up resistor for OE pin		150	300	600	
$R_{IN}(\text{down})$	Pull-down resistor for LE pin		100	200	400	
$I_{DD}(\text{AutoOff})$	Supply current (OFF)	$R_{ext} = 980\ \Omega$, OE = low, OUT0 to OUT7 = OFF		200	300	μA
$I_{DD}(\text{OFF1})$		$R_{ext} = 980\ \Omega$, OE = high, OUT0 to OUT7 = ON		5	7.5	mA
$I_{DD}(\text{OFF2})$		$R_{ext} = 490\ \Omega$, OE = high, OUT0 to OUT15 = ON		8	11	
$I_{DD}(\text{ON1})$		Supply current (ON)	$R_{ext} = 980\ \Omega$, OE = low, OUT0 to OUT15 = ON		6	
$I_{DD}(\text{ON2})$	$R_{ext} = 490\ \Omega$, OE = low, OUT0 to OUT15 = ON			8	11	
T_{sd}	Thermal shutdown ⁽³⁾			170		$^{\circ}\text{C}$

1. Test performed with all outputs turned on, but only one output loaded at a time.

2. $\Delta I_{OL+} = ((I_{OLmax} - I_{OLmean}) / I_{OLmean}) * 100$, $\Delta I_{OL-} = ((I_{OLmin} - I_{OLmean}) / I_{OLmean}) * 100$, where $I_{OLmean} = (I_{OLout1} + I_{OLout2} + \dots + I_{OLout16}) / 16$.

3. Not tested, guaranteed by design.

$V_{DD} = 5\text{ V}$, $T_j = 25\text{ }^\circ\text{C}$, unless otherwise specified.

Table 8. Switching characteristics⁽¹⁾⁽²⁾

Symbol	Parameter	Test conditions	Min.	Typ.	Max.	Unit
f_{clk}	Clock frequency	Cascade operation			30	MHz
t_{PLH1}	CLK- \overline{OUTn} , LE/DM1 = H, OE/DM2 = L	$V_{IH} = V_{DD}$ $V_{IL} = GND$ $C_L = 10\text{ pF}$ $I_O = 20\text{ mA}$ $V_L = 3.0\text{ V}$ $R_L = 60\text{ }\Omega$	$V_{DD} = 3.3\text{ V}$	55	90	ns
			$V_{DD} = 5\text{ V}$	30	50	
t_{PLH2}	LE/DM1- \overline{OUTn} , OE/DM2 = L		$V_{DD} = 3.3\text{ V}$	48	80	ns
			$V_{DD} = 5\text{ V}$	30	45	
t_{PLH3}	$\overline{OE/DM2-OUTn}$, LE/DM1 = H		$V_{DD} = 3.3\text{ V}$	70	120	ns
			$V_{DD} = 5\text{ V}$	45	65	
t_{PLH}	CLK-SDO		$V_{DD} = 3.3\text{ V}$	21	35	ns
			$V_{DD} = 5\text{ V}$	15	25	
t_{PHL1}	CLK- \overline{OUTn} , LE/DM1 = H, OE/DM2 = L		$V_{DD} = 3.3\text{ V}$	28	35	ns
			$V_{DD} = 5\text{ V}$	22	40	
t_{PHL2}	LE/DM1- \overline{OUTn} , OE/DM2 = L		$V_{DD} = 3.3\text{ V}$	13	35	ns
			$V_{DD} = 5\text{ V}$	12	18	
t_{PHL3}	$\overline{OE/DM2-OUTn}$, LE/DM1 = H		$V_{DD} = 3.3\text{ V}$	24	35	ns
			$V_{DD} = 5\text{ V}$	21	30	
t_{PHL}	CLK-SDO	$V_{DD} = 3.3\text{ V}$	24	40	ns	
		$V_{DD} = 5\text{ V}$	17	25		
t_{ON}	Output rise time 10~90% of voltage waveform	$V_{DD} = 3.3\text{ V}$	30	55	ns	
		$V_{DD} = 5\text{ V}$	10	20		
t_{OFF}	Output fall time 90~10% of voltage waveform	$V_{DD} = 3.3\text{ V}$	4	10	ns	
		$V_{DD} = 5\text{ V}$	3	8		
t_r	CLK rise time ⁽³⁾			5	μs	
t_f	CLK fall time ⁽³⁾			5		

1. All table limits are guaranteed by design.
2. Not tested in production.
3. If devices are connected in cascade and t_r or t_f is large, it may be critical to achieve the timing required for data transfer between two cascaded devices.

4 Equivalent circuit and outputs

Figure 2. $\overline{\text{OE}}/\text{DM2}$ terminal

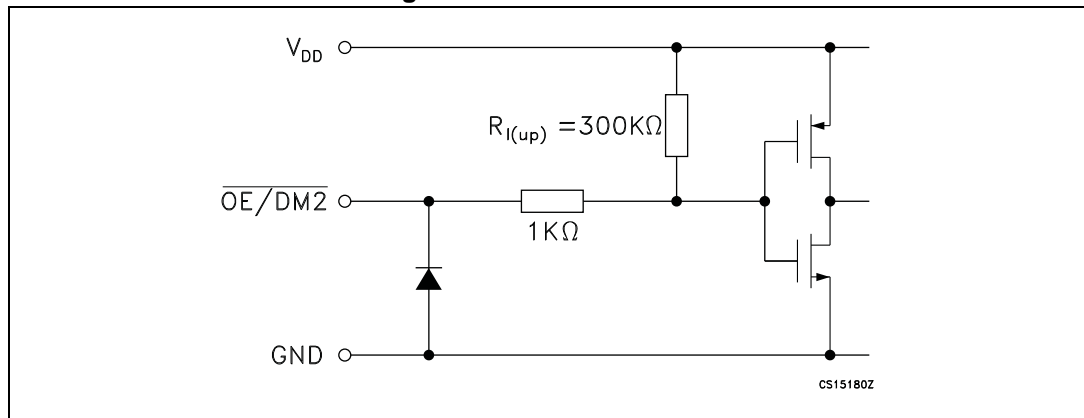


Figure 3. LE/DM1 terminal

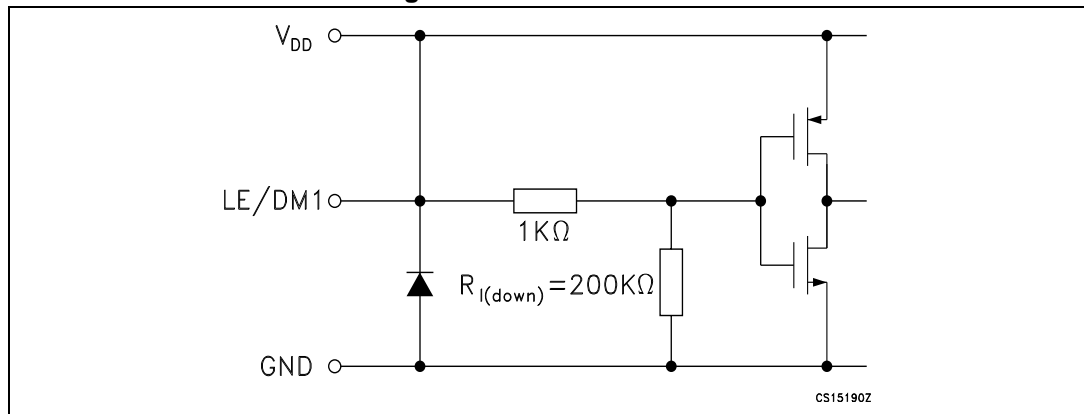


Figure 4. CLK, SDI terminal

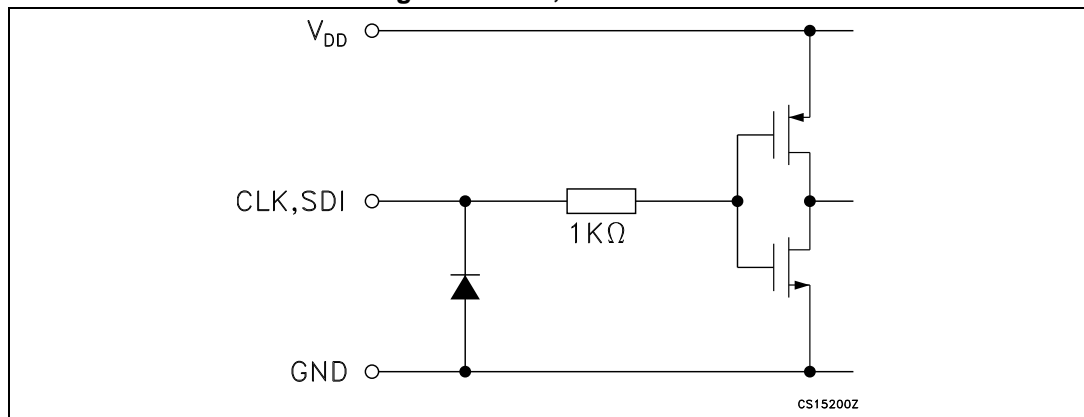


Figure 5. SDO terminal

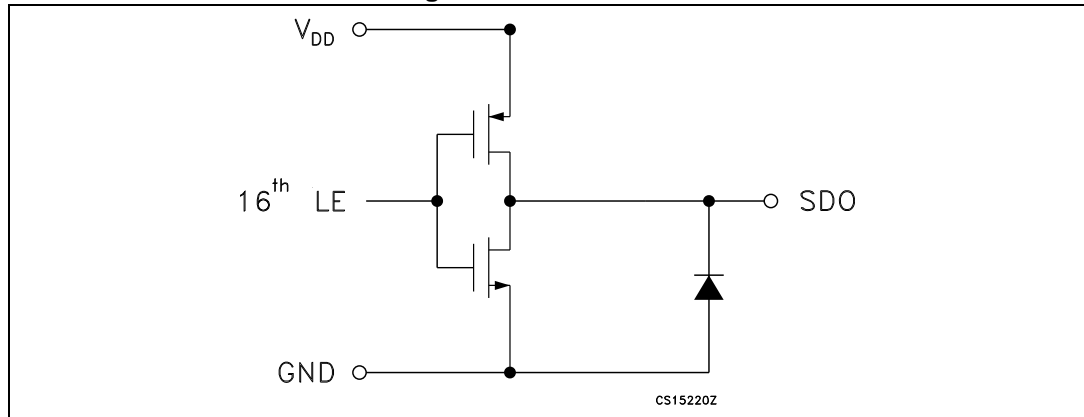
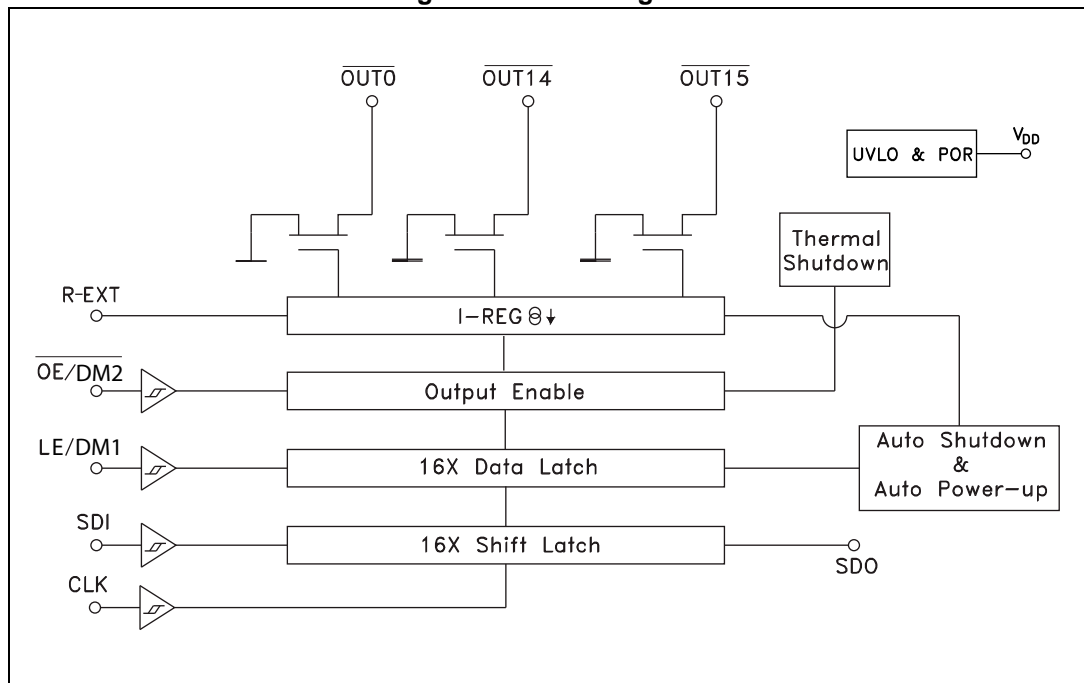


Figure 6. Block diagram



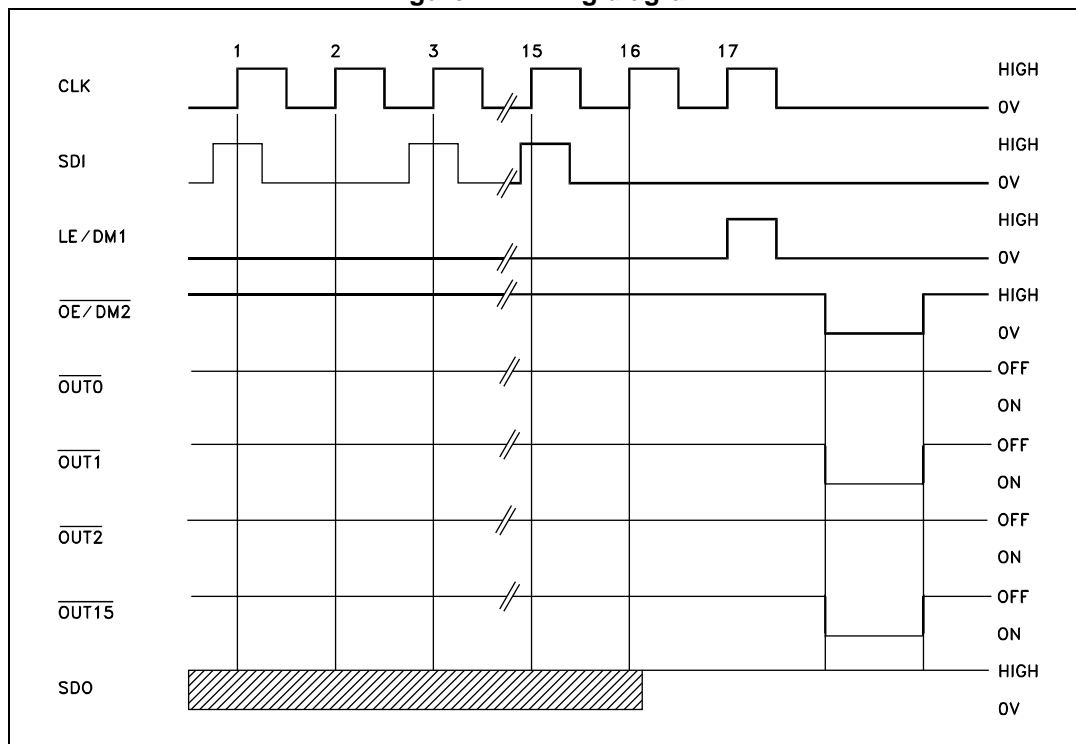
5 Timing diagrams

Table 9. Truth table

CLOCK	LE/DM1	$\overline{OE/DM2}$	SERIAL-IN	$\overline{OUT0}$ $\overline{OUT7}$ $\overline{OUT15}$	SDO
	H	L	Dn	Dn Dn - 7 Dn -15	Dn - 15
	L	L	Dn + 1	No change	Dn - 14
	H	L	Dn + 2	Dn + 2 Dn - 5 Dn -13	Dn - 13
	X	L	Dn + 3	Dn + 2 Dn - 5 Dn -13	Dn - 13
	X	H	Dn + 3	OFF	Dn - 13

Note: $OUTn = ON$ when $Dn = H$ $OUTn = OFF$ when $Dn = L$.

Figure 7. Timing diagram



Note: Latch and output enable terminals are level-sensitive and are not synchronized with rising or falling edge of LE/DM1 signal. When LE/DM1 terminal is low level, the latch circuit holds previous set of data. When LE/DM1 terminal is high level, the latch circuit refreshes new set of data from SDI chain. When $\overline{OE/DM2}$ terminal is at low level, the output terminals Out 0 to Out 15 respond to data in the latch circuits, either '1' ON or '0' OFF. When $\overline{OE/DM2}$ terminal is at high level, all output terminals are switched OFF.

Table 10. Enable IO: shutdown truth table

CLOCK	LE/DM1	SDI ₀ SDI ₇ SDI ₁₅	SH	Auto power-up	$\overline{\text{OUTn}}$
	H	All = L	Active	Not active ⁽¹⁾	OFF
	L	No change	No change	No change	No change
	H	One or more = H	Not active	Active	X ⁽²⁾

1. At power-up, the device starts in shutdown mode.
2. Undefined.

Figure 8. Clock, serial-in, serial-out

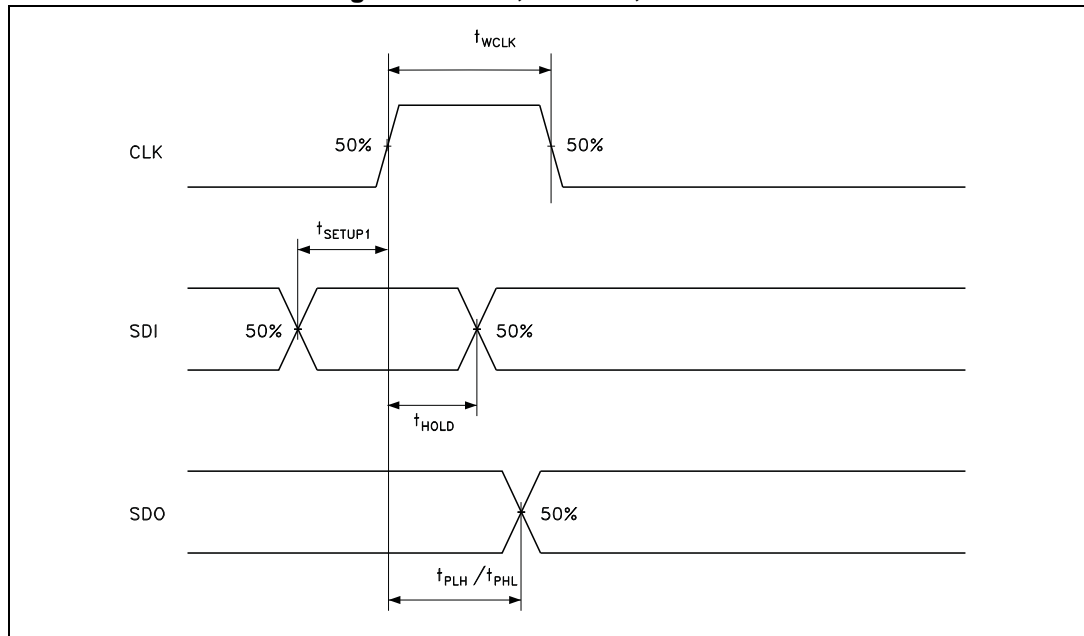


Figure 9. Clock, serial-in, latch, enable, outputs

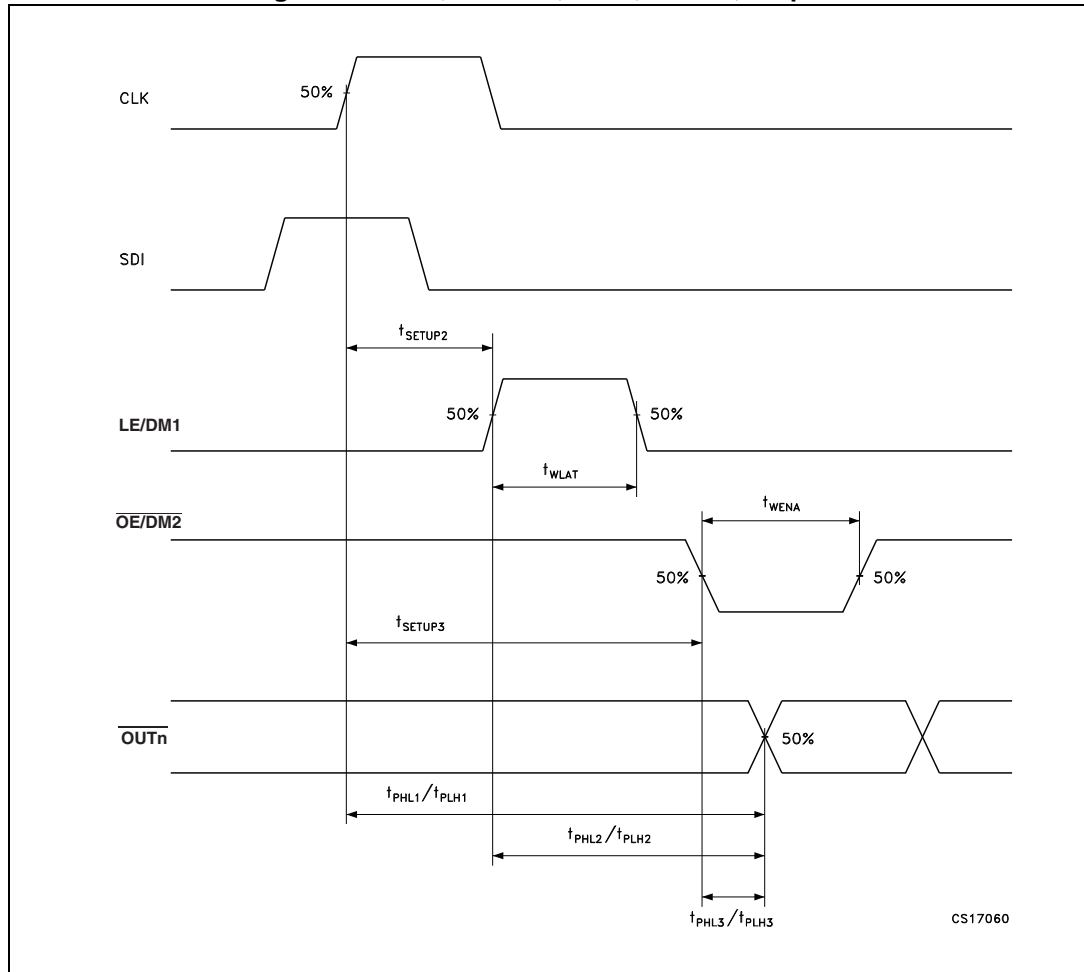
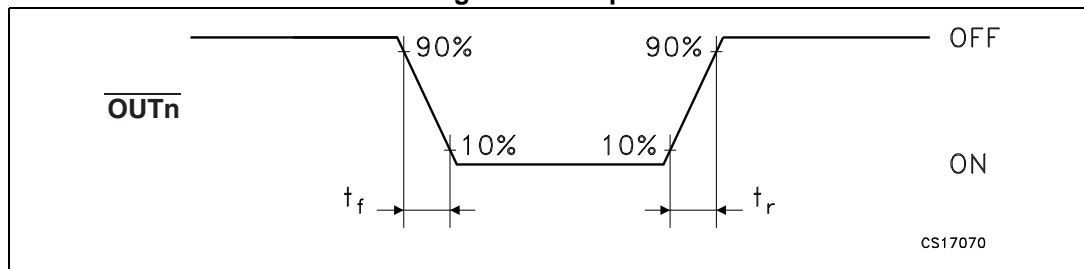


Figure 10. Outputs



6 Typical characteristics

Figure 11. Output current vs. R_{EXT} resistor

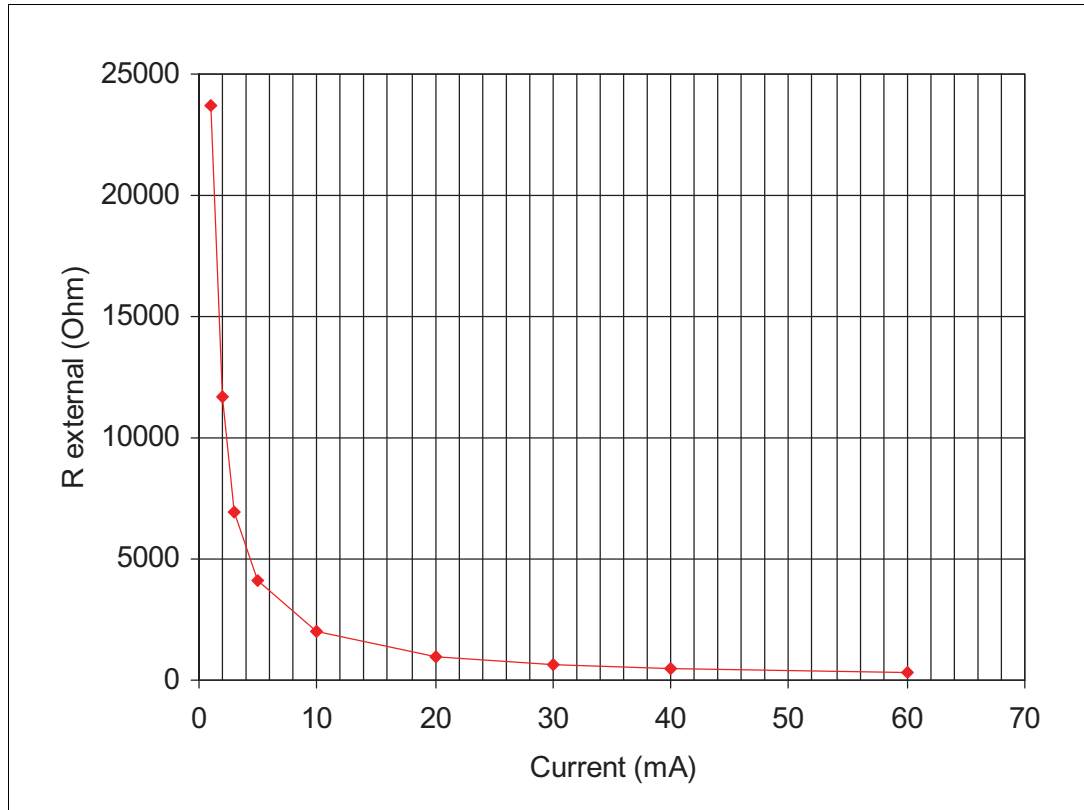


Table 11. Output current vs. R_{EXT} resistor

R _{EXT} (Ω)	Output current (mA)
23700	1
11730	2
6930	3
4090	5
2025	10
1000	20
667	30
497	40
331	60

Conditions:

- temperature = 25 °C, $V_{DD} = 3.3\text{ V}; 5.0\text{ V}$, $I_{SET} = 3\text{ mA}; 5\text{ mA}; 10\text{ mA}; 20\text{ mA}; 50\text{ mA}; 60\text{ mA}$.

Figure 12. I_{SET} vs. dropout voltage (V_{drop})

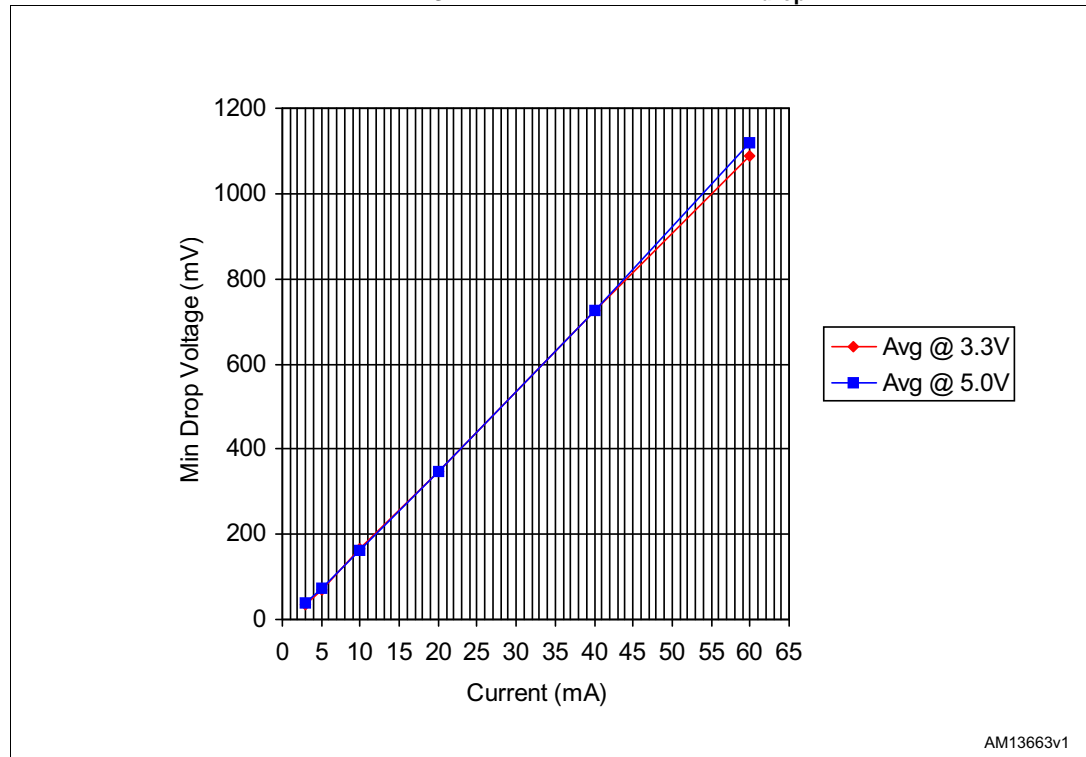


Table 12. I_{SET} vs. dropout voltage (V_{drop})

I_{out} (mA)	Avg (mV) @ 3.3 V	Avg (mV) @ 5.0 V
3	36	37
5	71	72
10	163	163
20	346	347
40	724	726
60	1080	1110

$T_A = 25\text{ }^\circ\text{C}$, $V_{DD} = 3.3\text{ V}; 5\text{ V}$

Figure 13. Output current vs. $\pm \Delta I_{OL}(\%)$

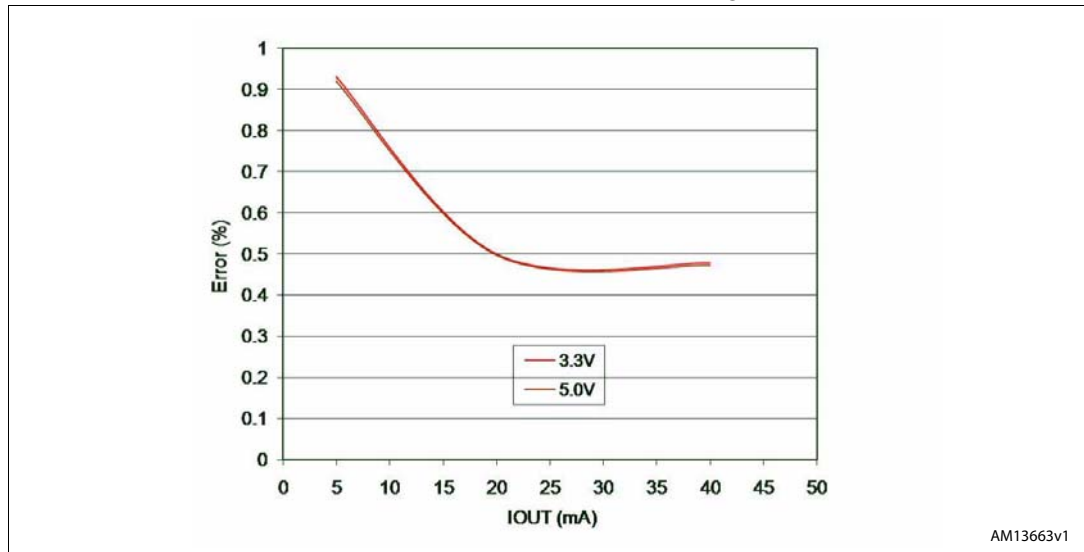


Figure 14. I_{DD} ON/OFF

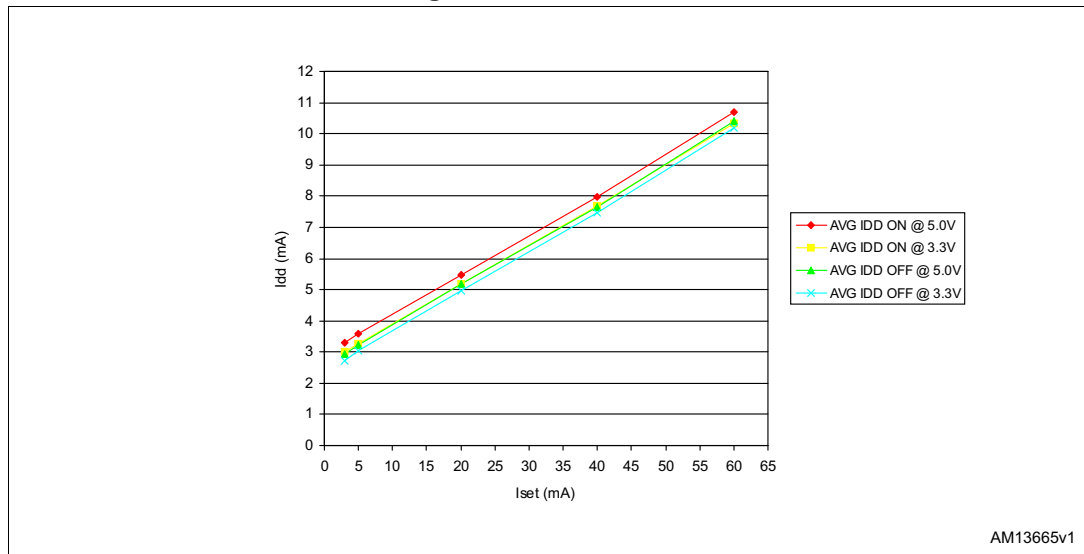
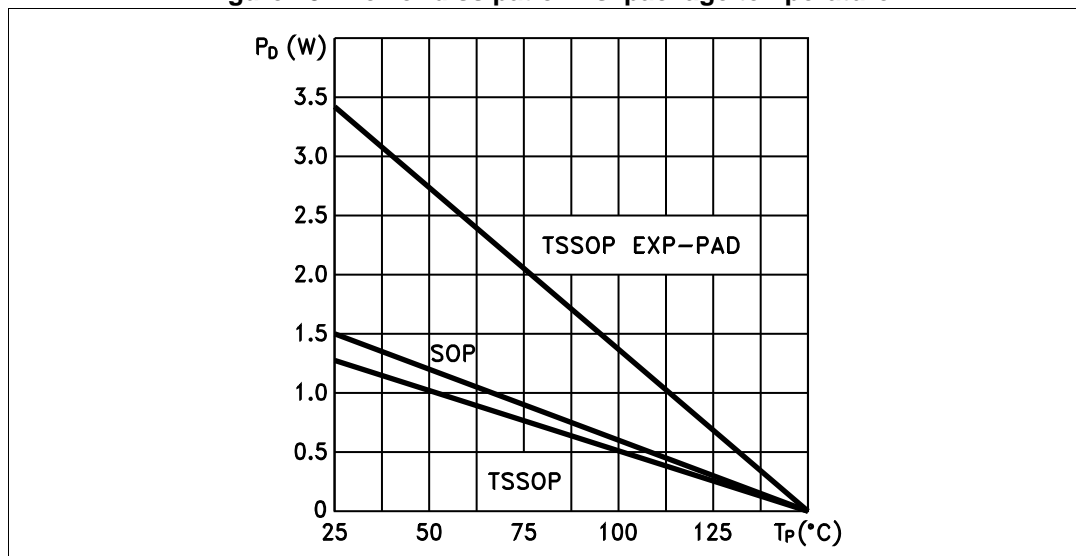


Figure 15. Power dissipation vs. package temperature



Note: The exposed pad should be soldered to the PCB to obtain the thermal benefits.

Figure 16. Turn-ON output current characteristics⁽¹⁾

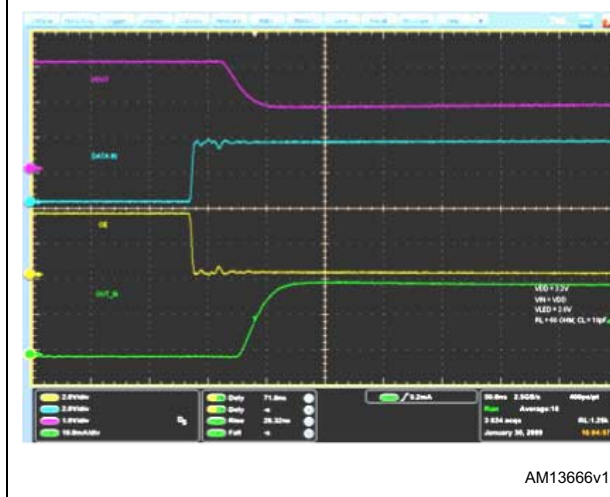
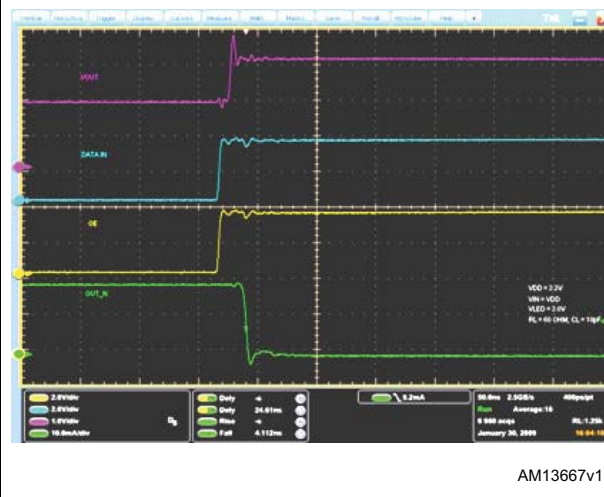


Figure 17. Turn-OFF output current characteristics⁽²⁾



1. The reference level for the T_{ON} characteristics is 50% of OE/DM2 signal and 90% of output current
2. The reference level for the T_{OFF} characteristics is 50% of OE/DM2 signal and 10% of output current

Electrical conditions:

- $V_{DD} = 3.3\text{ V}$, $V_{in} = V_{DD}$, $V_{led} = 3.0\text{ V}$, $R_L = 60\ \Omega$, $C_L = 10\text{ pF}$.
- Ch1 (yellow) = OE/DM2, Ch2 (blue) = SDI, Ch3 (purple) = VOUT, Ch4 (green) = OUT.

7 Error detection mode functionality

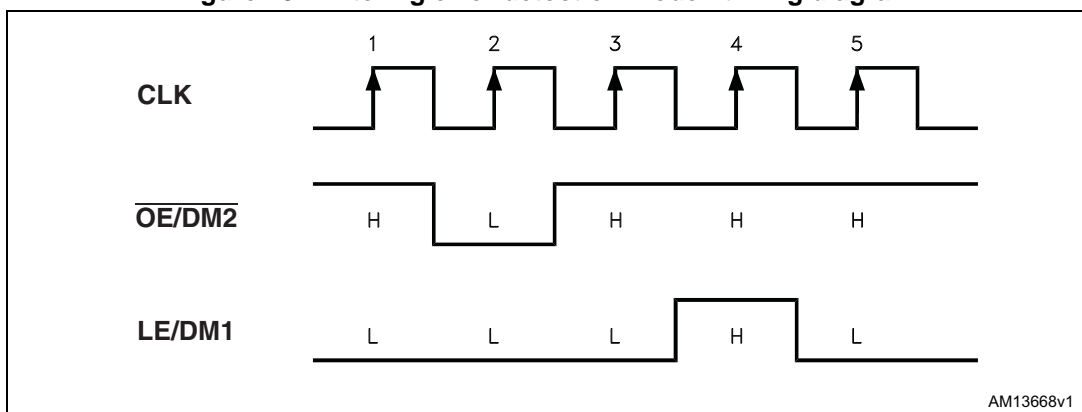
7.1 Phase one: entering error detection mode

From the “normal mode” condition the device can switch to “error mode” by a logic sequence on the $\overline{OE/DM2}$ and LE/DM1 pins, as shown in the following table and diagram:

Table 13. Entering error detection mode - truth table

CLK	1°	2°	3°	4°	5°
$\overline{OE/DM2}$	H	L	H	H	H
LE/DM1	L	L	L	H	L

Figure 18. Entering error detection mode - timing diagram

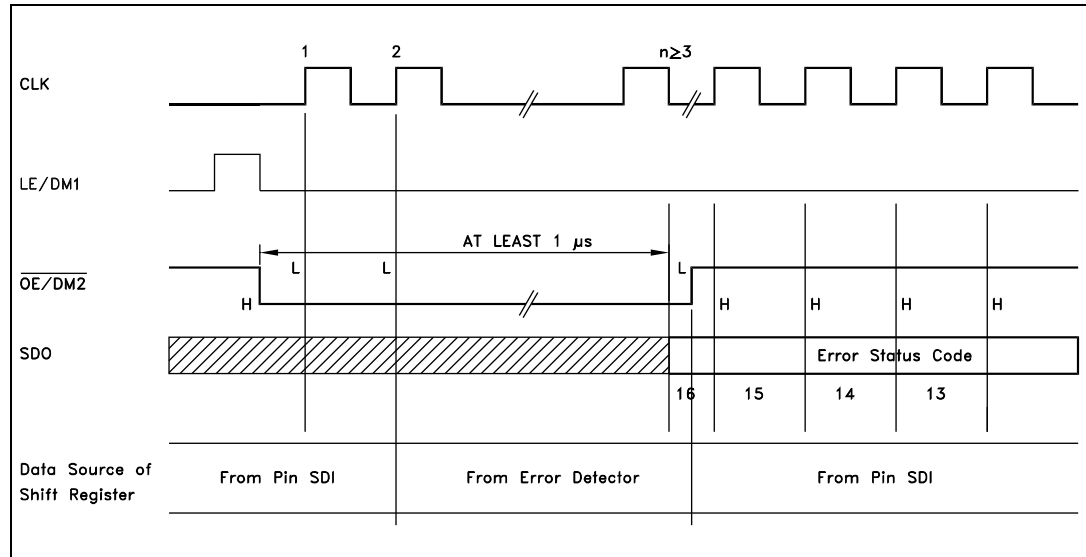


After these five CLK cycles, the device goes into the “error detection mode” and at the 6th rising edge of the CLK, the SDI data are ready for sampling.

7.2 Phase two: error detection

The 16 data bits must be set to “1” in order to set ON all the outputs during detection. The data are latched by LE/DM1 and after that the outputs are ready for the detection process. When the microcontroller switches the $\overline{OE}/DM2$ to LOW, the device drives the LEDs in order to analyze if an OPEN or SHORT condition has occurred.

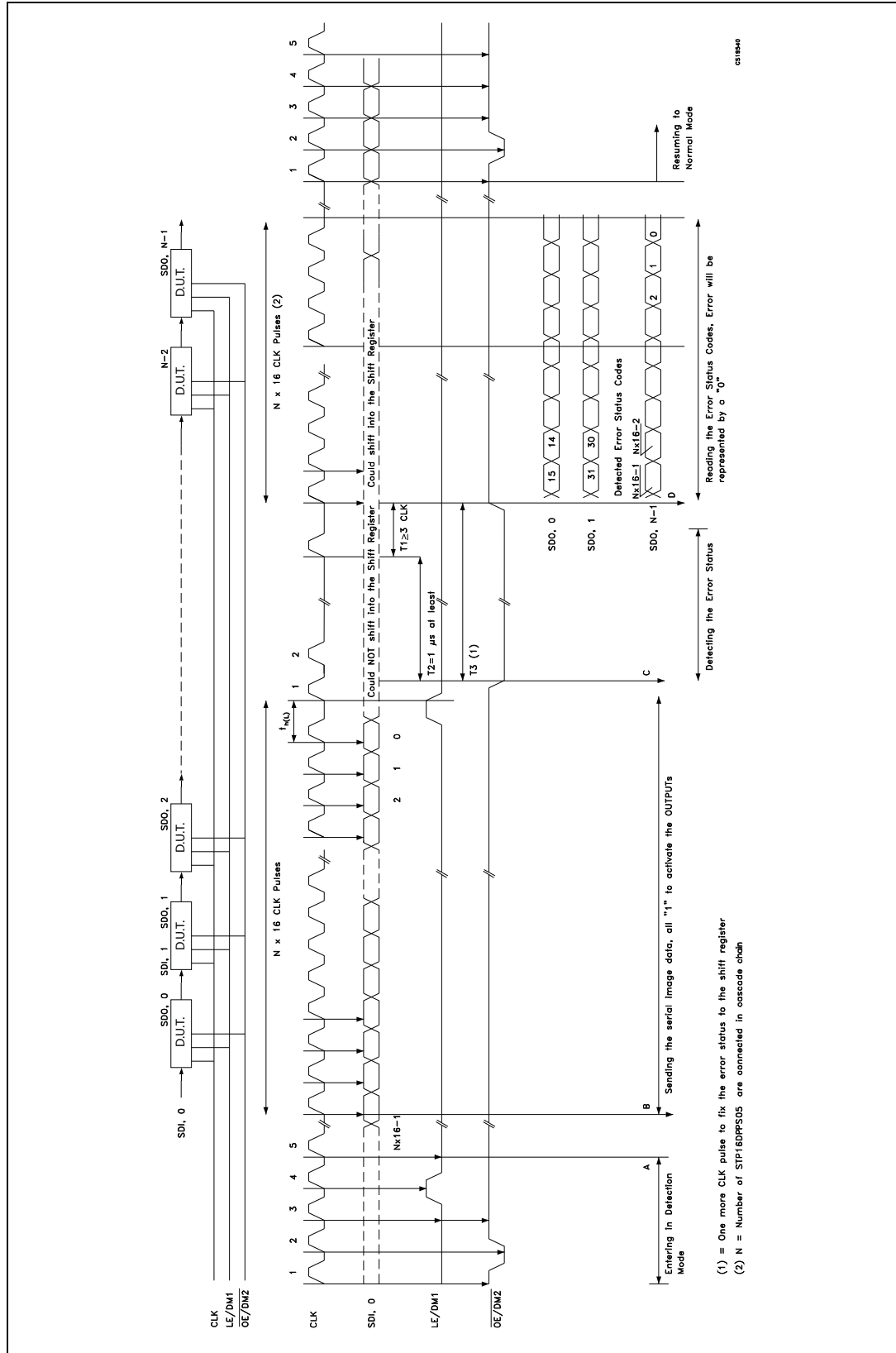
Figure 19. Detection diagram



The LED status is detected in 1 microsecond (minimum) and after this time the microcontroller sets $\overline{OE}/DM2$ in HIGH state and the output data detection results go to the microprocessor via SDO.

Detection mode and normal mode both use the same data format. As soon as all the detection data bits are available on the serial line, the device may go back to normal mode of operation. To re-detect the status, the device must go back in normal mode and re-enter error detection mode.

Figure 20. Timing example for open and/or short-circuit detection



7.3 Phase three: resuming normal mode

The sequence for re-entering normal mode is shown in the following table:

Table 14. Resuming normal mode - timing diagram

CLK	1°	2°	3°	4°	5°
$\overline{\text{OE/DM2}}$	H	L	H	H	H
LE/DM1	L	L	L	L	L

Note: For proper device operation, the “entering error detection” sequence must be followed by a “resume mode” sequence, it is not possible to insert consecutive equal sequences.

7.4 Error detection conditions

Table 15. Detection conditions ($V_{DD} = 3.3$ to 5 V, temperature range -40 to 125 °C)

Configuration	Detect mode	Detection results		
			No error detected	
SW-1 or SW-3b	Open line or output short to GND detected	$\implies I_{ODEC} \leq 0.5 \times I_O$	No error detected	$\implies I_{ODEC} \geq 0.5 \times I_O$
SW-2 or SW-3a	Short on LED or short to V-LED detected	$\implies V_O \geq 2.6 \text{ V}$	No error detected	$\implies V_O \leq 2.3 \text{ V}$

Note: Where: I_O = the output current programmed by the R_{EXT} ; I_{ODEC} = the detected output current in detection mode.

Figure 21. Detection circuit

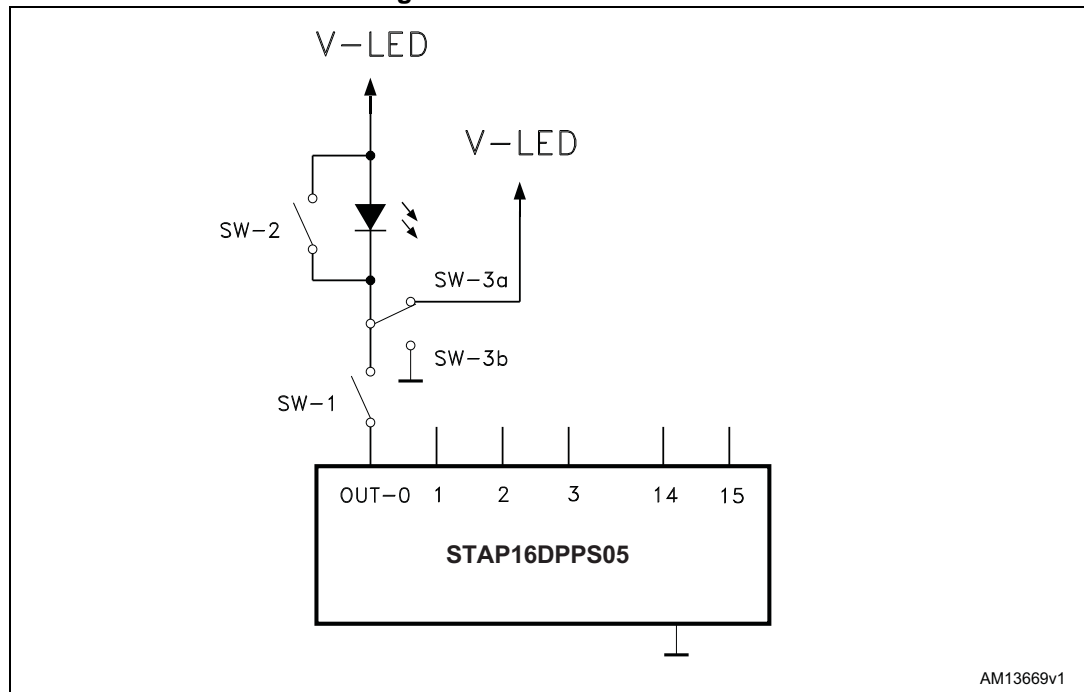
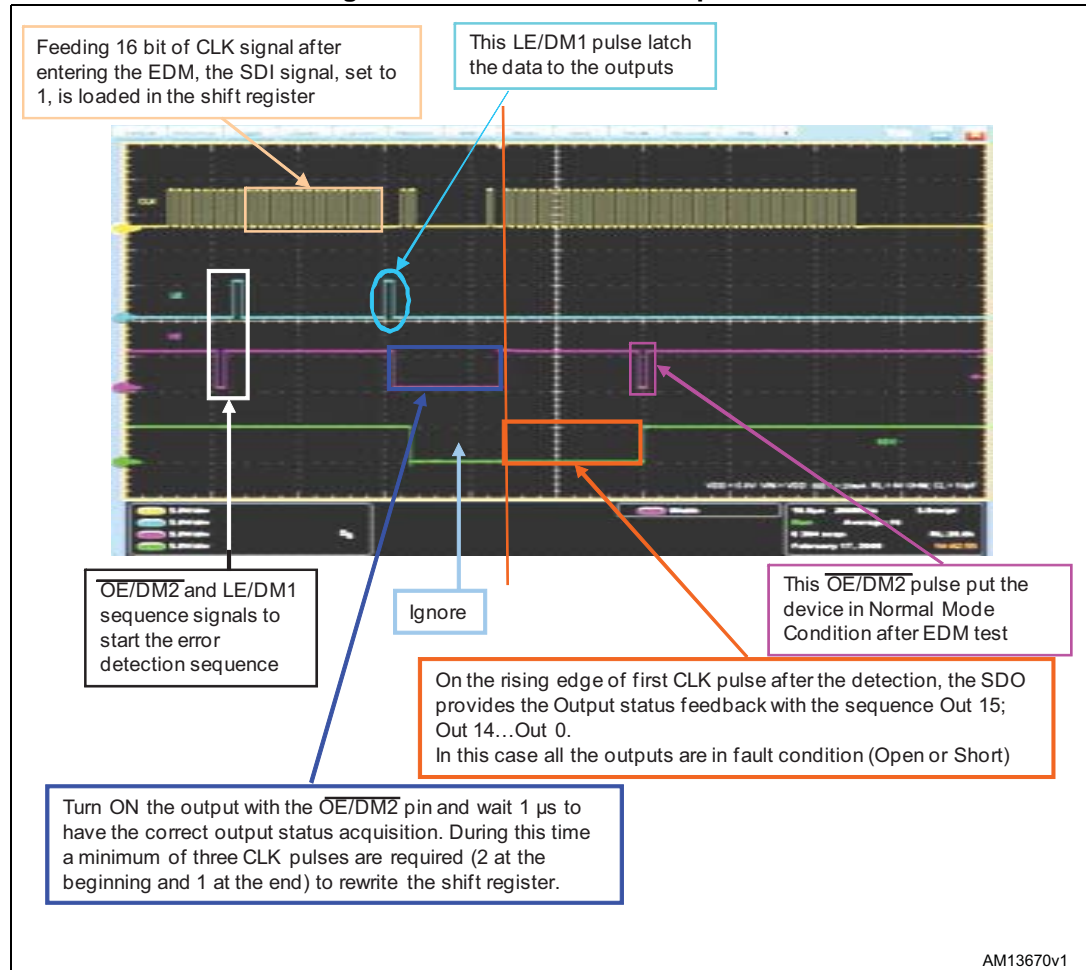


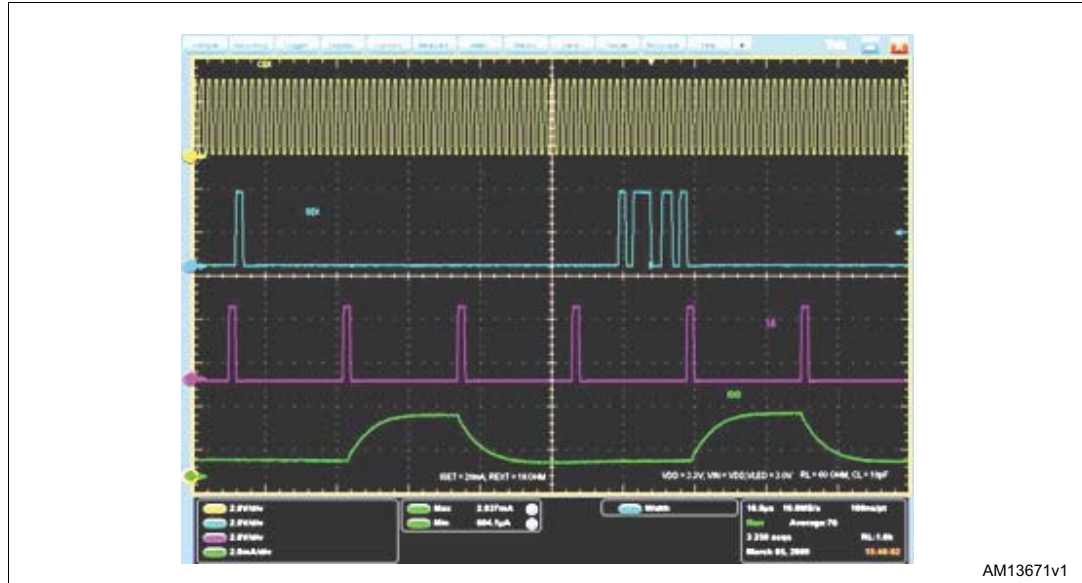
Figure 22. Error detection sequence



7.5 Auto power-saving

The auto power-saving feature minimizes the quiescent current if no active data is detected on the latches and auto powers-up the device as the first active data is latched.

Figure 23. Auto power-saving feature



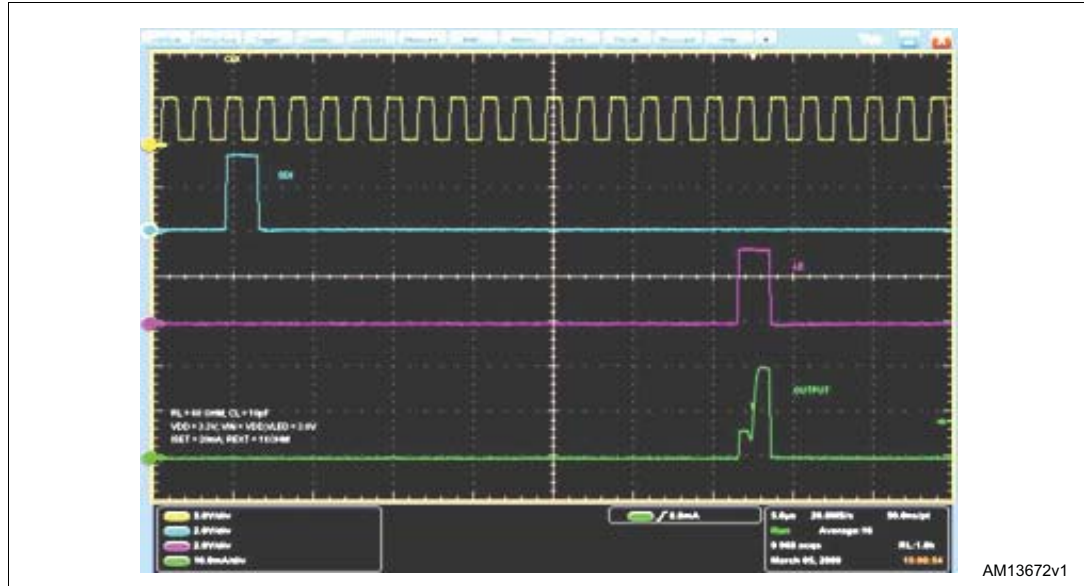
Conditions:

- Temp. = 25 °C, $V_{DD} = 3.3$ V, $V_{in} = V_{DD}$, $V_{Led} = 3.0$ V, $I_{set} = 20$ mA.
- Ch1 (yellow) = CLK, Ch2 (blue) = SDI, Ch3 (purple) = LE/DM1, Ch4 (green) = IDD.

I_{dd} consumption:

- I_{dd} (normal operation) = 2.93 mA.
- I_{dd} (shutdown condition) = 170 µA.

Figure 24. Auto power-saving feature: first output T_{ON}



Conditions:

- Temp. = 25 °C, V_{DD} = 3.3 V, V_{in} = V_{DD} , V_{Led} = 3.0 V, I_{set} = 20 mA
- Ch1 (yellow) = CLK, Ch2 (blue) = SDI, Ch3 (purple) = LE/DM1, Ch4 (green) = IDD

Note: When the device goes from auto power-saving to normal operating condition, the first output switching ON shows the T_{ON} condition as seen in the plot above.

8 Package information

In order to meet environmental requirements, ST offers these devices in different grades of ECOPACK[®] packages, depending on their level of environmental compliance. ECOPACK[®] specifications, grade definitions and product status are available at: www.st.com. ECOPACK[®] is an ST trademark.

8.1 TSSOP24 exposed pad package information

Figure 25. TSSOP24 exposed pad package outline

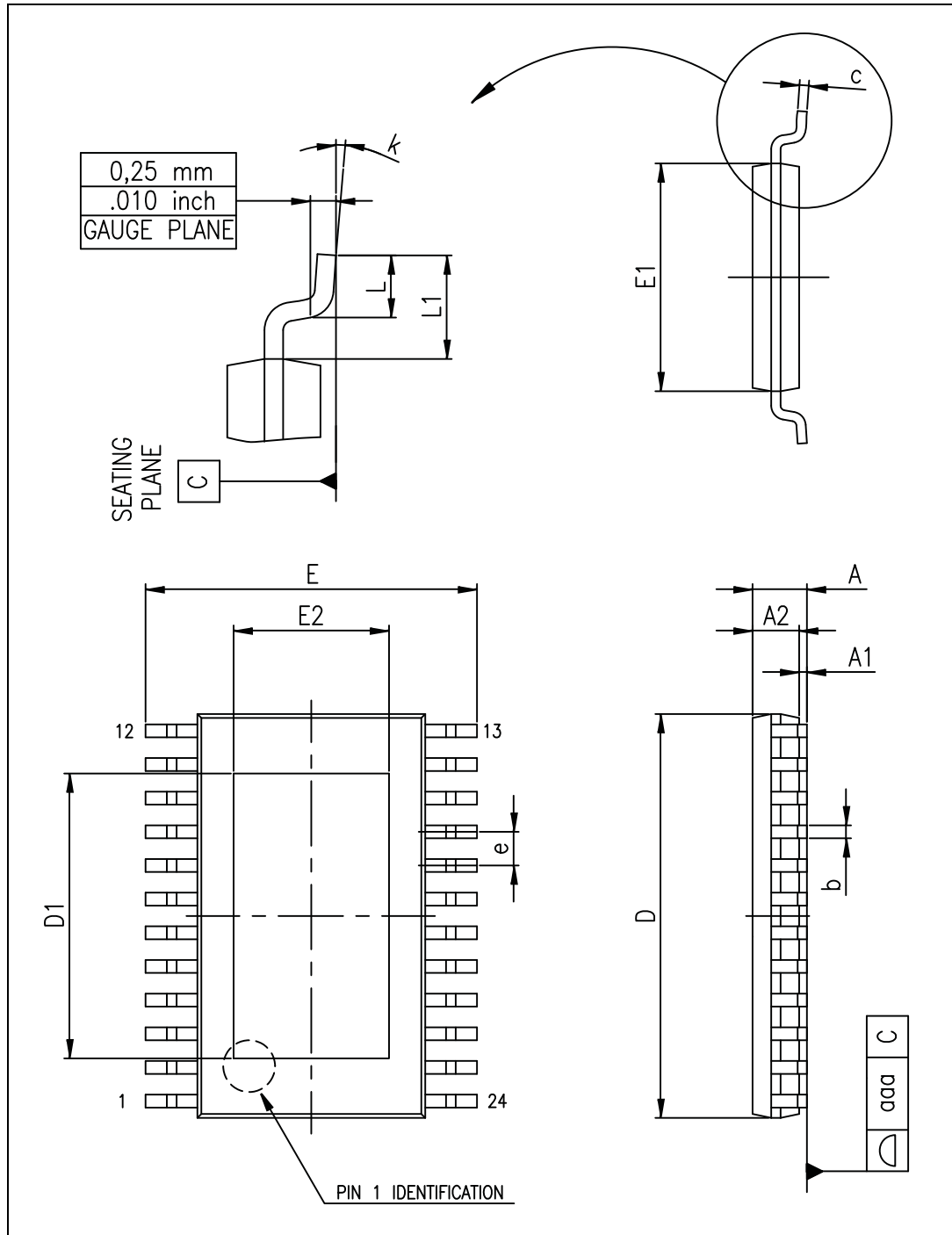


Table 16. TSSOP24 exposed pad mechanical data

Symbol	mm		
	Min.	Typ.	Max.
A			1.20
A1			0.15
A2	0.80	1.00	1.05
b	0.19		0.30
c	0.09		0.20
D	7.70	7.80	7.90
D1	4.80	5.00	5.2
E	6.20	6.40	6.60
E1	4.30	4.40	4.50
E2	3.00	3.20	3.40
e		0.65	
L	0.45	0.60	0.75
L1		1.00	
k	0		8
aaa			0.10

8.2 TSSOP24 exposed pad packing information

Figure 26. TSSOP24 exposed pad tape and reel outline

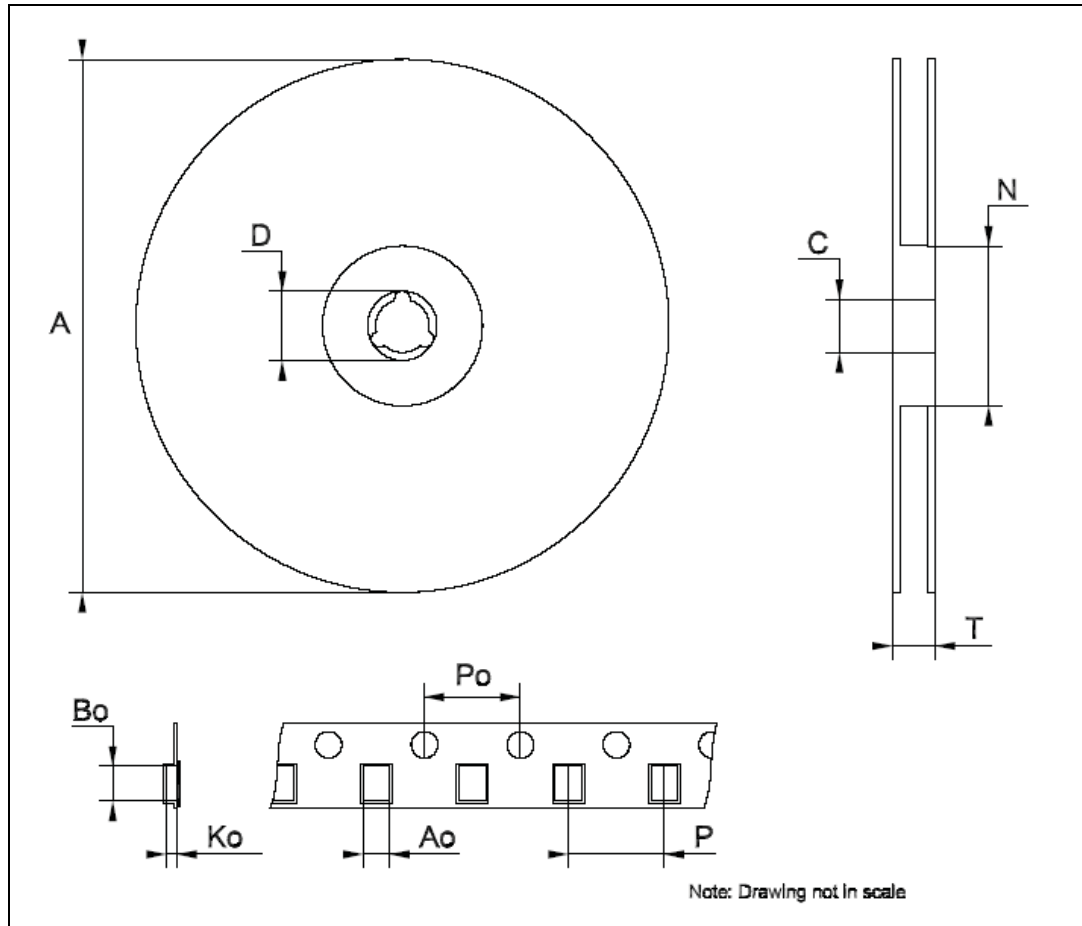


Table 17. TSSOP24 exposed pad tape and reel mechanical data

Dim.	mm		
	Min.	Typ.	Max.
A			330
C	12.8		13.2
D	20.2		
N	60		
T			22.4
Ao	6.8		7
Bo	8.2		8.4
Ko	1.7		1.9
Po	3.9		4.1
P	11.9		12.1

9 Revision history

Table 18. Document revision history

Date	Revision	Changes
21-May-2013	1	Initial release.
01-Jul-2013	2	Added footnote in Table 8: Switching characteristics.
11-Oct-2013	3	Modified TOPR value in Table 4: Absolute maximum ratings.
10-Mar-2014	4	Modified footnote 1 in Table 8: Switching characteristics. Added footnote 2 in Table 8: Switching characteristics. Updated Table 1: Pin connections and Table 3: Pin description.
05-Jun-2014	5	Updated Table 16: TSSOP24 exposed pad mechanical data. Minor text changes.
10-Nov-2015	6	Updated features in cover page. Minor text changes.

IMPORTANT NOTICE – PLEASE READ CAREFULLY

STMicroelectronics NV and its subsidiaries ("ST") reserve the right to make changes, corrections, enhancements, modifications, and improvements to ST products and/or to this document at any time without notice. Purchasers should obtain the latest relevant information on ST products before placing orders. ST products are sold pursuant to ST's terms and conditions of sale in place at the time of order acknowledgement.

Purchasers are solely responsible for the choice, selection, and use of ST products and ST assumes no liability for application assistance or the design of Purchasers' products.

No license, express or implied, to any intellectual property right is granted by ST herein.

Resale of ST products with provisions different from the information set forth herein shall void any warranty granted by ST for such product.

ST and the ST logo are trademarks of ST. All other product or service names are the property of their respective owners.

Information in this document supersedes and replaces information previously supplied in any prior versions of this document.

© 2015 STMicroelectronics – All rights reserved