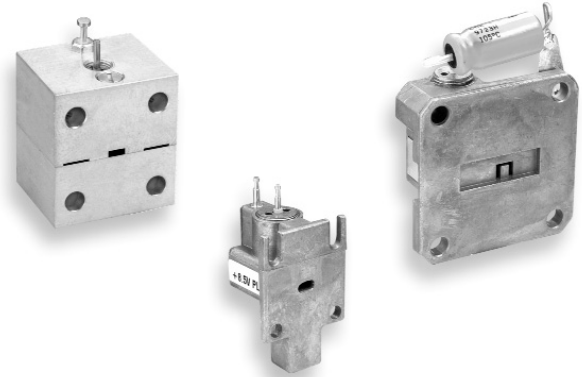


Features

- Low Cost
- Small Size
- Low Power Consumption
- High-Volume Design
- Pulsed DC Input Voltage Available

Applications

- Speed Radar
- Intrusion Alarm Systems
- Braking Systems
- Industrial Measurement
- Level Sensing



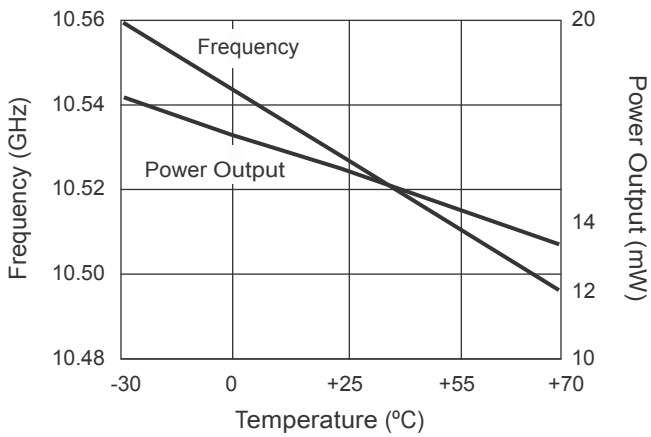
Description

Microsemi's waveguide output Gunn oscillators are an inexpensive and reliable source of microwave power. The oscillators are designed to suppress spurious signal and harmonic frequencies. Their low-power consumption makes them very useful as local oscillators in microwave receivers.

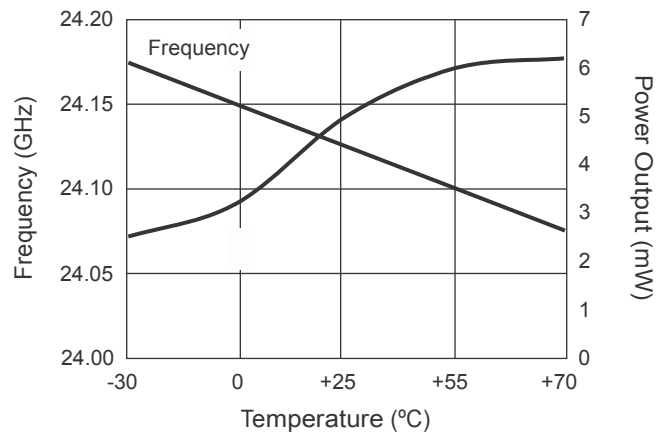
Specifications @ 25°C

Part Number	Operating Frequency (GHz)	Output Power (mW)	Typ. Frequency Drift/Temperature (KHz/°C)	Typ. Operating Voltage (V _{DC})	Max. Operating Current (mA)
<i>X Band Oscillators</i>					
MO86751A	10.525	10 Min.	350	8.5	200
MO86751B	10.525	25 Min.	350	+9.0 to +10.0	500
MO86751C	10.525	50 Min.	350	+9.0 to +10.0	600
MO86751D	10.525	100 Min.	350	+9.0 to +10.0	800
<i>K Band Oscillators</i>					
MO9060	24.125	5 Min.	1000	5	100
MO86790	24.15	10–20	555	+3.5 to +6.5	250
MO86791	24.15	40–100	555	+5.0 to +8.0	1000
<i>K Band Oscillators — Pulsed</i>					
MO9080	24.125	11–20 Peak	1000	+6.0 to +7.0	300 Peak
<i>Ka Band Oscillators</i>					
MO86797	35.5	15–25	1400	+3.0 to +6.0	450
MO9205	35.5	15–30	800	5	400

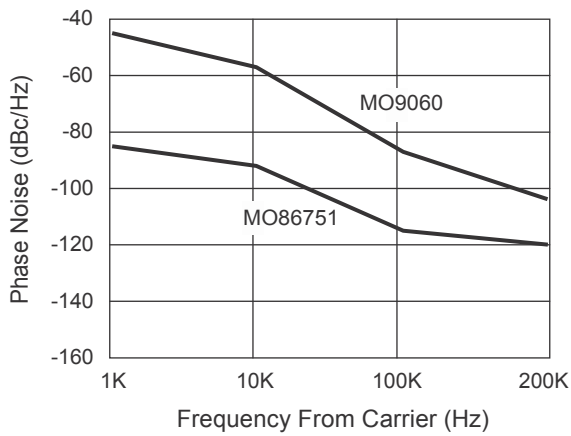
Other frequencies and power levels available upon request.
 Operating temperature is -30°C to +70°C.
 MO9080 pulse width= 10 microseconds duty = 50%.

Typical Performance Characteristics


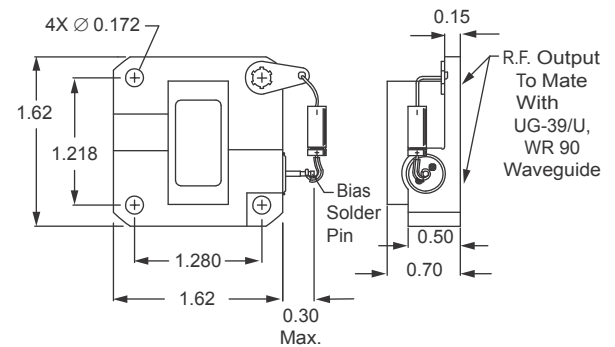
MO86751 Series Frequency and Power vs. Temperature



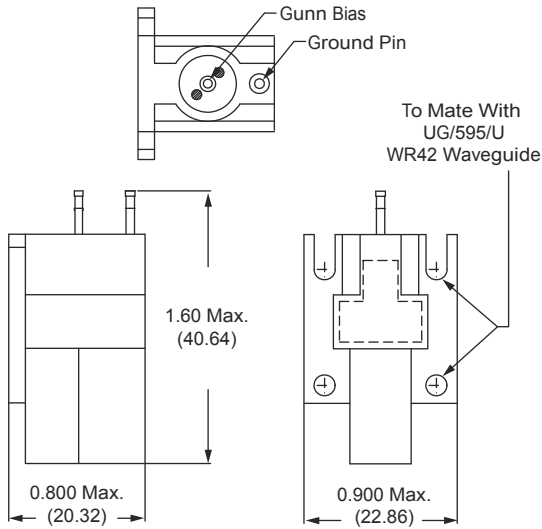
MO9060 Frequency and Power vs. Temperature



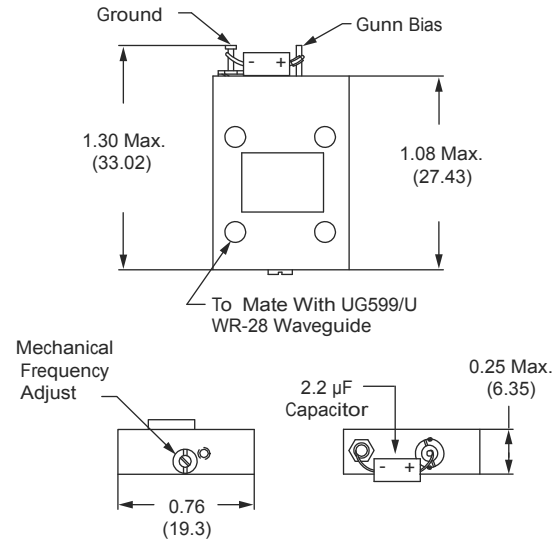
MO9060 and MO86751 Series Typical Phase Noise Performance

MO86751-A, B, C, D


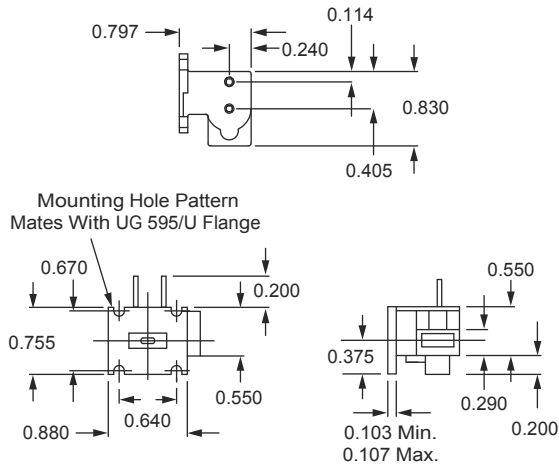
Dimensions are in inches.

MO86790, MO86791


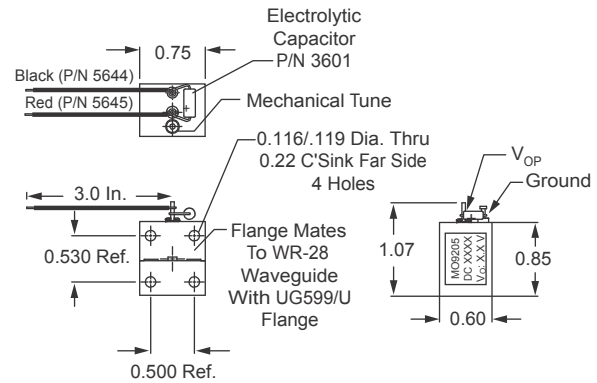
Dimensions are in inches (mm).

MO86797


Dimensions are in inches (mm).

MO9060, MO9080


Dimensions are in inches.

MO9205


Dimensions are in inches.