

Smart High-Side Power Switch

Smart High-Side Power Switch

PROFET BTS711L1

Data Sheet

Rev 1.3, 2012-01-16

Automotive Power

Smart Four Channel Highside Power Switch

Features

- Overload protection
- Current limitation
- Short-circuit protection
- Thermal shutdown
- Overvoltage protection (including load dump)
- Fast demagnetization of inductive loads
- Reverse battery protection¹⁾
- Undervoltage and overvoltage shutdown with auto-restart and hysteresis
- Open drain diagnostic output
- Open load detection in ON-state
- CMOS compatible input
- Loss of ground and loss of V_{bb} protection
- Electrostatic discharge (ESD) protection

Application

- μ C compatible power switch with diagnostic feedback for 12 V and 24 V DC grounded loads
- All types of resistive, inductive and capacitive loads
- Replaces electromechanical relays and discrete circuits

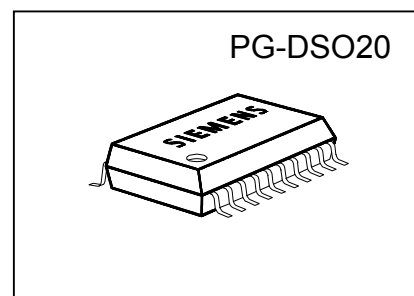
General Description

N channel vertical power FET with charge pump, ground referenced CMOS compatible input and diagnostic feedback, monolithically integrated in Smart SIPMOS® technology.

Providing embedded protective functions.

Product Summary

Overvoltage Protection	$V_{bb(AZ)}$	43	V
Operating voltage	$V_{bb(on)}$	5.0 ... 34	V
active channels:		one	two parallel
On-state resistance R_{ON}		200	100
Nominal load current $I_{L(NOM)}$		1.9	2.8
Current limitation $I_{L(SCr)}$		4	4
		4	4
			50
			4.4
			4
			A
			A



RoHS

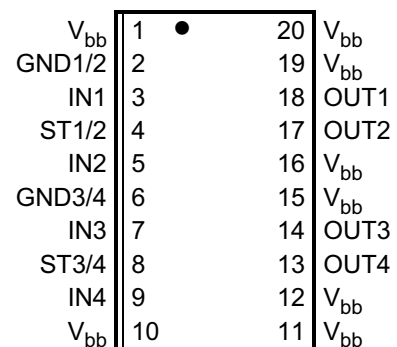


- AEC qualified
- Green product (RoHS compliant)

Pin Definitions and Functions

Pin	Symbol	Function
1,10, 11,12, 15,16, 19,20	V_{bb}	Positive power supply voltage. Design the wiring for the simultaneous max. short circuit currents from channel 1 to 4 and also for low thermal resistance
3	IN1	Input 1 .. 4, activates channel 1 .. 4 in case of logic high signal
5	IN2	
7	IN3	
9	IN4	
18	OUT1	Output 1 .. 4, protected high-side power output of channel 1 .. 4. Design the wiring for the max. short circuit current
17	OUT2	
14	OUT3	
13	OUT4	
4	ST1/2	Diagnostic feedback 1/2 of channel 1 and channel 2, open drain, low on failure
8	ST3/4	Diagnostic feedback 3/4 of channel 3 and channel 4, open drain, low on failure
2	GND1/2	Ground 1/2 of chip 1 (channel 1 and channel 2)
6	GND3/4	Ground 3/4 of chip 2 (channel 3 and channel 4)

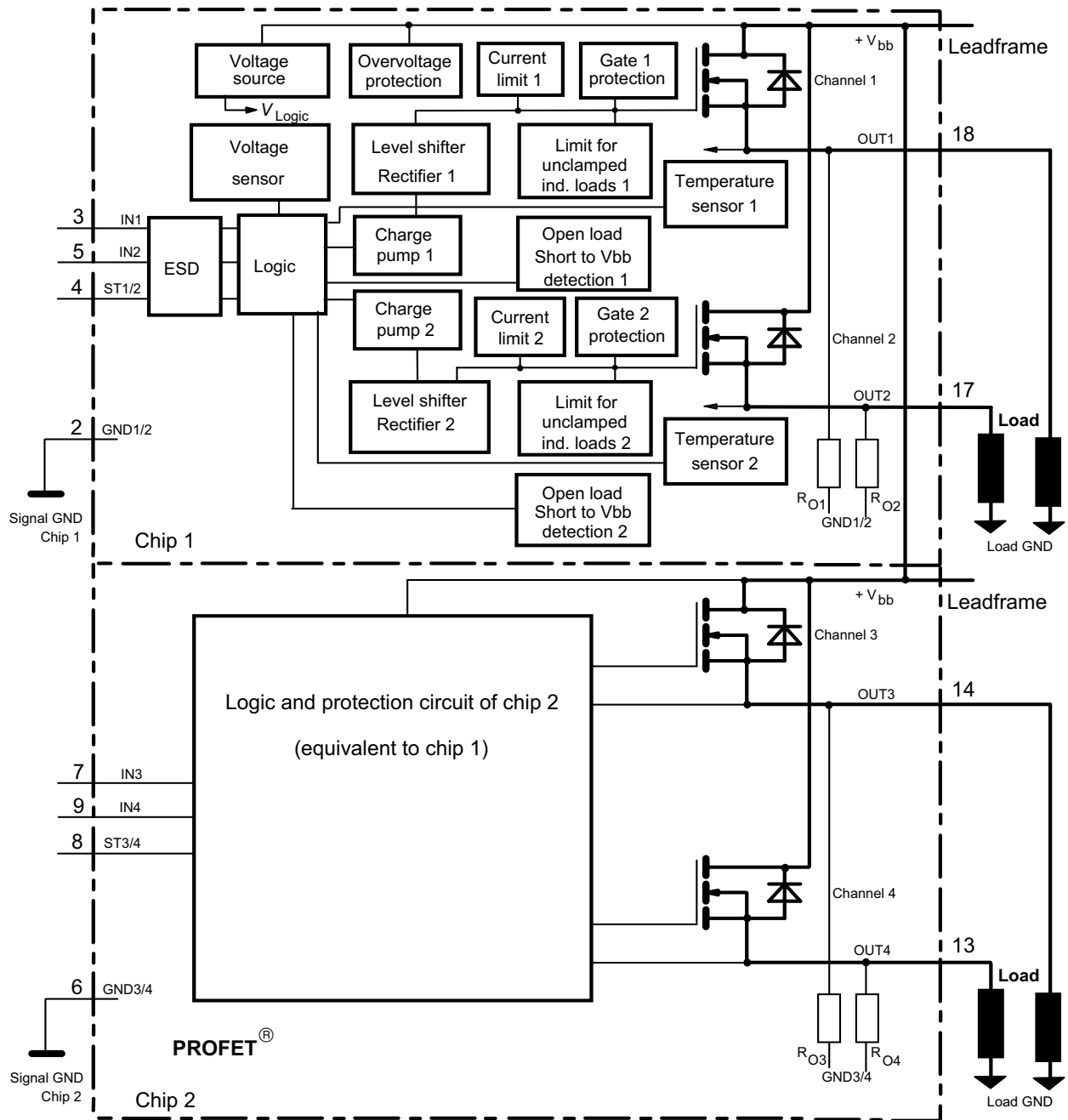
Pin configuration (top view)



¹⁾ With external current limit (e.g. resistor $R_{GND}=150 \Omega$) in GND connection, resistor in series with ST connection, reverse load current limited by connected load.

Block diagram

Four Channels; Open Load detection in on state;



Leadframe connected to pin 1, 10, 11, 12, 15, 16, 19, 20

Electrical Characteristics

Parameter and Conditions, each of the four channels at $T_j = 25^\circ\text{C}$, $V_{bb} = 12\text{ V}$ unless otherwise specified	Symbol	Values			Unit
		min	typ	max	

Load Switching Capabilities and Characteristics

On-state resistance (V_{bb} to OUT) $I_L = 1.8\text{ A}$ each channel, $T_j = 25^\circ\text{C}$: $T_j = 150^\circ\text{C}$: two parallel channels, $T_j = 25^\circ\text{C}$: four parallel channels, $T_j = 25^\circ\text{C}$:	R_{ON}	--	165 320 83 42	200 400 100 50	m Ω
Nominal load current one channel active: two parallel channels active: four parallel channels active: Device on PCB ⁵⁾ , $T_a = 85^\circ\text{C}$, $T_j \leq 150^\circ\text{C}$	$I_{L(NOM)}$	1.7 2.6 4.1	1.9 2.8 4.4	--	A
Output current while GND disconnected or pulled up; $V_{bb} = 30\text{ V}$, $V_{IN} = 0$, see diagram page 9	$I_{L(GNDhigh)}$	--	--	10	mA
Turn-on time to 90% V_{OUT} : Turn-off time to 10% V_{OUT} : $R_L = 12\ \Omega$, $T_j = -40\dots+150^\circ\text{C}$	t_{on} t_{off}	80 80	200 200	400 400	μs
Slew rate on 10 to 30% V_{OUT} , $R_L = 12\ \Omega$, $T_j = -40\dots+150^\circ\text{C}$:	dV/dt_{on}	0.1	--	1	V/ μs
Slew rate off 70 to 40% V_{OUT} , $R_L = 12\ \Omega$, $T_j = -40\dots+150^\circ\text{C}$:	$-dV/dt_{off}$	0.1	--	1	V/ μs

Operating Parameters

Operating voltage ⁷⁾ $T_j = -40\dots+150^\circ\text{C}$:	$V_{bb(on)}$	5.0	--	34	V
Undervoltage shutdown $T_j = -40\dots+150^\circ\text{C}$:	$V_{bb(under)}$	3.5	--	5.0	V
Undervoltage restart $T_j = -40\dots+25^\circ\text{C}$: $T_j = +150^\circ\text{C}$:	$V_{bb(u\ rst)}$	--	--	5.0 7.0	V
Undervoltage restart of charge pump see diagram page 14 $T_j = -40\dots+150^\circ\text{C}$:	$V_{bb(ucp)}$	--	5.6	7.0	V
Undervoltage hysteresis $\Delta V_{bb(under)} = V_{bb(u\ rst)} - V_{bb(under)}$	$\Delta V_{bb(under)}$	--	0.2	--	V
Overvoltage shutdown $T_j = -40\dots+150^\circ\text{C}$:	$V_{bb(over)}$	34	--	43	V
Overvoltage restart $T_j = -40\dots+150^\circ\text{C}$:	$V_{bb(o\ rst)}$	33	--	--	V
Overvoltage hysteresis $T_j = -40\dots+150^\circ\text{C}$:	$\Delta V_{bb(over)}$	--	0.5	--	V
Overvoltage protection ⁸⁾ $I_{bb} = 40\text{ mA}$	$V_{bb(AZ)}$	42	47	--	V

⁷⁾ At supply voltage increase up to $V_{bb} = 5.6\text{ V}$ typ without charge pump, $V_{OUT} \approx V_{bb} - 2\text{ V}$

⁸⁾ see also $V_{ON(CL)}$ in circuit diagram on page 8.

Parameter and Conditions, each of the four channels at $T_j = 25^\circ\text{C}$, $V_{bb} = 12\text{V}$ unless otherwise specified	Symbol	Values			Unit	
		min	typ	max		
Standby current, all channels off $V_{IN} = 0$	$T_j = 25^\circ\text{C}$: $T_j = 150^\circ\text{C}$: $I_{bb(\text{off})}$	--	28 44	60 70	μA	
Leakage output current (included in $I_{bb(\text{off})}$) $V_{IN} = 0$	$I_{L(\text{off})}$	--	--	12	μA	
Operating current ⁹⁾ , $V_{IN} = 5\text{V}$, $T_j = -40\dots+150^\circ\text{C}$ $I_{GND} = I_{GND1/2} + I_{GND3/4}$, one channel on: four channels on:	I_{GND}	-- --	2 8	3 12	mA	
Protection Functions¹⁰⁾						
Initial peak short circuit current limit, (see timing diagrams, page 13) each channel, $T_j = -40^\circ\text{C}$: $T_j = 25^\circ\text{C}$: $T_j = +150^\circ\text{C}$: two parallel channels four parallel channels	$I_{L(\text{SCp})}$		5.5 4.5 2.5	9.5 7.5 4.5	13 11 7	A
						twice the current of one channel four times the current of one channel
Repetitive short circuit current limit, $T_j = T_{jt}$ each channel two parallel channels four parallel channels (see timing diagrams, page 13)	$I_{L(\text{SCR})}$	-- -- --	4 4 4	-- -- --	-- -- --	A
Initial short circuit shutdown time (see page 11 and timing diagrams on page 13)	$T_{j,\text{start}} = -40^\circ\text{C}$: $T_{j,\text{start}} = 25^\circ\text{C}$: $t_{\text{off}(\text{SC})}$	-- --	48 29	-- --	-- --	ms
Output clamp (inductive load switch off) ¹¹⁾ at $V_{\text{ON}(\text{CL})} = V_{bb} - V_{\text{OUT}}$	$V_{\text{ON}(\text{CL})}$	--	47	--	--	V
Thermal overload trip temperature	T_{jt}	150	--	--	--	$^\circ\text{C}$
Thermal hysteresis	ΔT_{jt}	--	10	--	--	K
Reverse Battery						
Reverse battery voltage ¹²⁾	$-V_{bb}$	--	--	32	--	V
Drain-source diode voltage ($V_{\text{out}} > V_{bb}$) $I_L = -1.9\text{A}$, $T_j = +150^\circ\text{C}$	$-V_{\text{ON}}$	--	610	--	--	mV

⁹⁾ Add I_{ST} , if $I_{ST} > 0$

¹⁰⁾ Integrated protection functions are designed to prevent IC destruction under fault conditions described in the data sheet. Fault conditions are considered as "outside" normal operating range. Protection functions are not designed for continuous repetitive operation.

¹¹⁾ If channels are connected in parallel, output clamp is usually accomplished by the channel with the lowest $V_{\text{ON}(\text{CL})}$

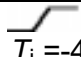
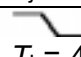
¹²⁾ Requires a $150\ \Omega$ resistor in GND connection. The reverse load current through the intrinsic drain-source diode has to be limited by the connected load. Note that the power dissipation is higher compared to normal operating conditions due to the voltage drop across the intrinsic drain-source diode. The temperature protection is not active during reverse current operation! Input and Status currents have to be limited (see max. ratings page 3 and circuit page 8).

Parameter and Conditions, each of the four channels at $T_j = 25^\circ\text{C}$, $V_{bb} = 12\text{V}$ unless otherwise specified	Symbol	Values			Unit
		min	typ	max	

Diagnostic Characteristics

Open load detection current, (on-condition) each channel, $T_j = -40^\circ\text{C}$: $T_j = 25^\circ\text{C}$: $T_j = 150^\circ\text{C}$: two parallel channels four parallel channels	$I_{L(OL)}$	10 10 10	-- -- --	200 150 150	mA
		twice the current of one channel four times the current of one channel			
Open load detection voltage ¹³⁾ $T_j = -40..+150^\circ\text{C}$:	$V_{OUT(OL)}$	2	3	4	V
Internal output pull down (OUT to GND), $V_{OUT} = 5\text{V}$ $T_j = -40..+150^\circ\text{C}$:	R_O	4	10	30	k Ω

Input and Status Feedback¹⁴⁾

Input resistance (see circuit page 8) $T_j = -40..+150^\circ\text{C}$:	R_I	2.5	3.5	6	k Ω
Input turn-on threshold voltage  $T_j = -40..+150^\circ\text{C}$:	$V_{IN(T+)}$	1.7	--	3.5	V
Input turn-off threshold voltage  $T_j = -40..+150^\circ\text{C}$:	$V_{IN(T-)}$	1.5	--	--	V
Input threshold hysteresis	$\Delta V_{IN(T)}$	--	0.5	--	V
Off state input current $V_{IN} = 0.4\text{V}$: $T_j = -40..+150^\circ\text{C}$:	$I_{IN(off)}$	1	--	50	μA
On state input current $V_{IN} = 5\text{V}$: $T_j = -40..+150^\circ\text{C}$:	$I_{IN(on)}$	20	50	90	μA
Delay time for status with open load after switch off (other channel in off state) (see timing diagrams, page 13), $T_j = -40..+150^\circ\text{C}$:	$t_{d(ST OL4)}$	100	320	800	μs
Delay time for status with open load after switch off (other channel in on state) (see timing diagrams, page 13), $T_j = -40..+150^\circ\text{C}$:	$t_{d(ST OL5)}$	--	5	20	μs
Status invalid after positive input slope (open load) $T_j = -40..+150^\circ\text{C}$:	$t_{d(ST)}$	--	200	600	μs
Status output (open drain) Zener limit voltage $T_j = -40..+150^\circ\text{C}$, $I_{ST} = +1.6\text{mA}$: ST low voltage $T_j = -40..+25^\circ\text{C}$, $I_{ST} = +1.6\text{mA}$: $T_j = +150^\circ\text{C}$, $I_{ST} = +1.6\text{mA}$:	$V_{ST(high)}$ $V_{ST(low)}$	5.4 -- --	6.1 -- --	-- 0.4 0.6	V

¹³⁾ External pull up resistor required for open load detection in off state.

¹⁴⁾ If ground resistors R_{GND} are used, add the voltage drop across these resistors.

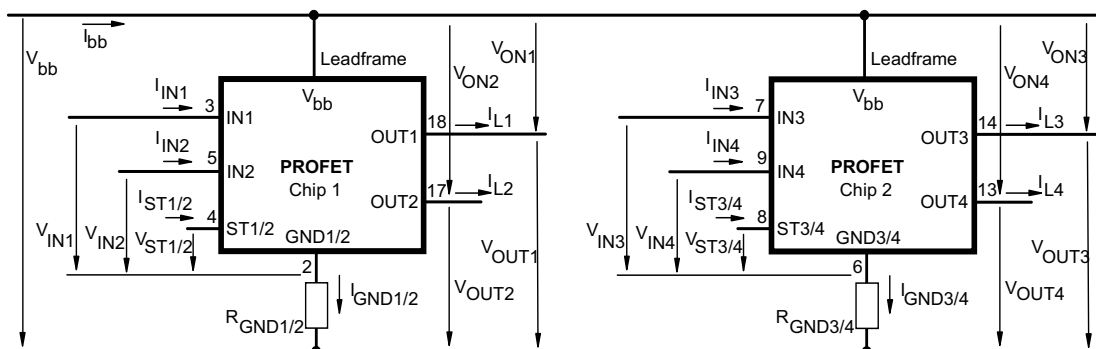
Truth Table

Channel 1 and 2	Chip 1	IN1	IN2	OUT1	OUT2	ST1/2	ST1/2
Channel 3 and 4 (equivalent to channel 1 and 2)	Chip 2	IN3	IN4	OUT3	OUT4	ST3/4	ST3/4
						BTS 711L1	BTS 712N1
Normal operation		L	L	L	L	H	H
		L	H	L	H	H	H
		H	L	H	L	H	H
		H	H	H	H	H	H
Open load	Channel 1 (3)	L	L	Z	L	H(L ¹⁵)	L
		L	H	Z	H	H	H
		H	X	H	X	L	H
	Channel 2 (4)	L	L	L	Z	H(L ¹⁵)	L
		H	L	H	Z	H	H
		X	H	X	H	L	H
Short circuit to V _{bb}	Channel 1 (3)	L	L	H	L	L ⁽¹⁶⁾	L ⁽¹⁶⁾
		L	H	H	H	H	H
		H	X	H	X	H(L ¹⁷)	H
	Channel 2 (4)	L	L	L	H	L ⁽¹⁶⁾	L ⁽¹⁶⁾
		H	L	H	H	H	H
		X	H	X	H	H(L ¹⁷)	H
Overtemperature	both channel	L	L	L	L	H	H
		X	H	L	L	L	L
		H	X	L	L	L	L
	Channel 1 (3)	L	X	L	X	H	H
		H	X	L	X	L	L
	Channel 2 (4)	X	L	X	L	H	H
X	H	X	L	L	L	L	
Undervoltage/ Overvoltage		X	X	L	L	H	H

L = "Low" Level X = don't care Z = high impedance, potential depends on external circuit
H = "High" Level Status signal valid after the time delay shown in the timing diagrams

Parallel switching of channel 1 and 2 (also channel 3 and 4) is easily possible by connecting the inputs and outputs in parallel (see truth table). If switching channel 1 to 4 in parallel, the status outputs ST1/2 and ST3/4 have to be configured as a 'Wired OR' function with a single pull-up resistor.

Terms



Leadframe (V_{bb}) is connected to pin 1,10,11,12,15,16,19,20

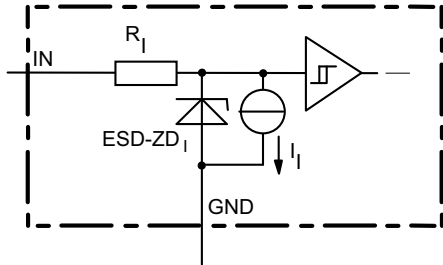
External R_{GND} optional; two resistors $R_{GND1/2}$, $R_{GND3/4} = 150 \Omega$ or a single resistor $R_{GND} = 75 \Omega$ for reverse battery protection up to the max. operating voltage.

¹⁵⁾ With additional external pull up resistor

¹⁶⁾ An external short of output to V_{bb} in the off state causes an internal current from output to ground. If R_{GND} is used, an offset voltage at the GND and ST pins will occur and the $V_{ST\ low}$ signal may be erroneous.

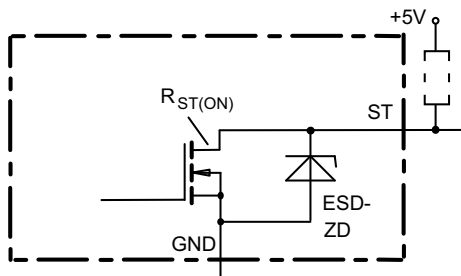
¹⁷⁾ Low resistance to V_{bb} may be detected by no-load-detection

Input circuit (ESD protection), IN1...4



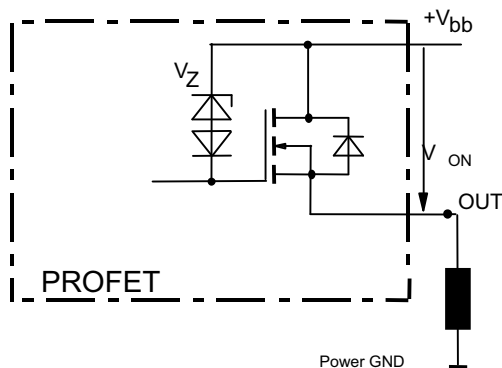
ESD zener diodes are not to be used as voltage clamp at DC conditions. Operation in this mode may result in a drift of the zener voltage (increase of up to 1 V).

Status output, ST1/2 or ST3/4



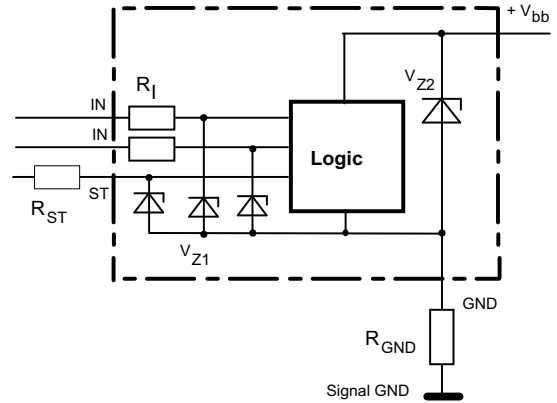
ESD-Zener diode: 6.1 V typ., max 5.0 mA;
 $R_{ST(ON)} < 380 \Omega$ at 1.6 mA, ESD zener diodes are not to be used as voltage clamp at DC conditions. Operation in this mode may result in a drift of the zener voltage (increase of up to 1 V).

Inductive and overvoltage output clamp, OUT1...4



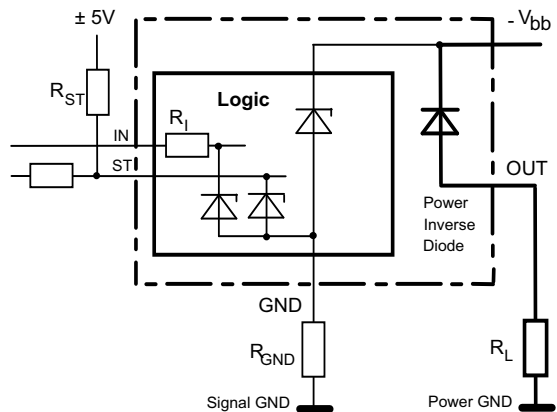
V_{ON} clamped to $V_{ON(CL)} = 47 \text{ V}$ typ.

Overvoltage protection of logic part GND1/2 or GND3/4



$V_{Z1} = 6.1 \text{ V}$ typ., $V_{Z2} = 47 \text{ V}$ typ., $R_I = 3.5 \text{ k}\Omega$ typ.,
 $R_{GND} = 150 \Omega$

Reverse battery protection



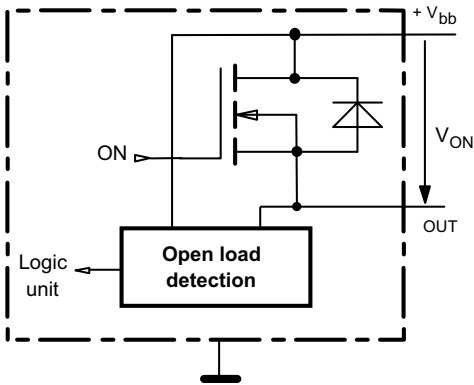
$R_{GND} = 150 \Omega$, $R_I = 3.5 \text{ k}\Omega$ typ,

Temperature protection is not active during inverse current operation.

Open-load detection, OUT1...4

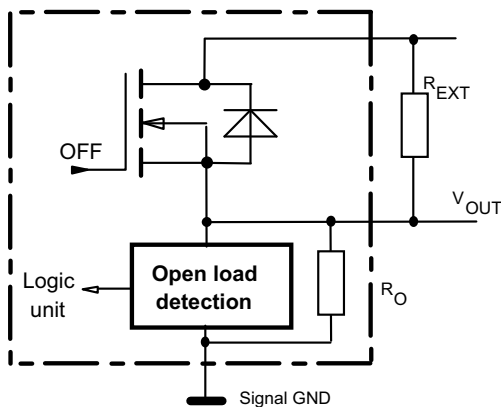
ON-state diagnostic condition:

$$V_{ON} < R_{ON} \cdot I_L(OL); \text{ IN high}$$



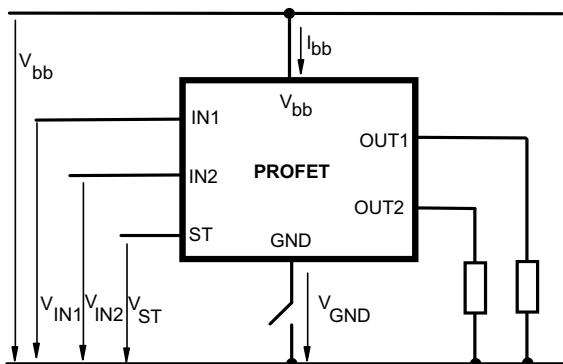
OFF-state diagnostic condition:

$$V_{OUT} > 3 \text{ V typ.}; \text{ IN low}$$



GND disconnect

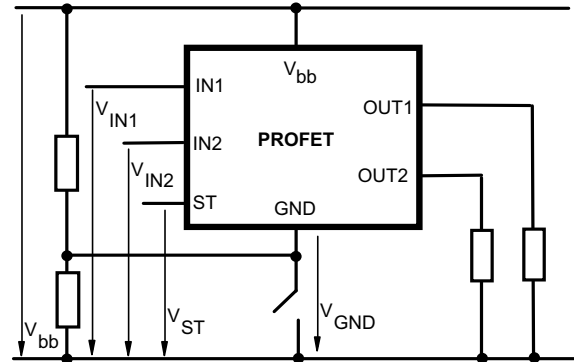
(channel 1/2 or 3/4)



Any kind of load. In case of IN = high is $V_{OUT} \approx V_{IN} - V_{IN(T+)}$.
Due to $V_{GND} > 0$, no V_{ST} = low signal available.

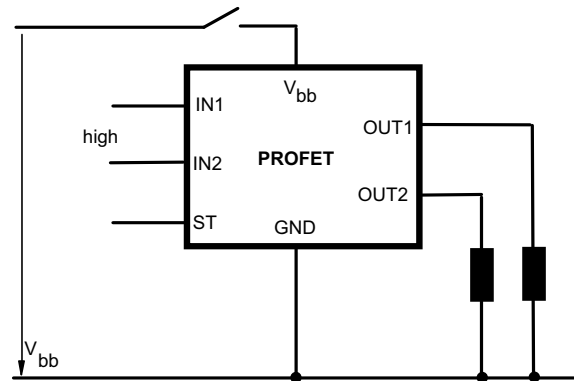
GND disconnect with GND pull up

(channel 1/2 or 3/4)



Any kind of load. If $V_{GND} > V_{IN} - V_{IN(T+)}$ device stays off
Due to $V_{GND} > 0$, no V_{ST} = low signal available.

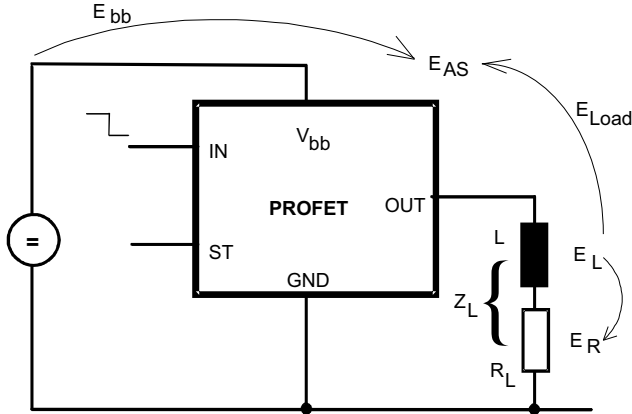
V_{bb} disconnect with energized inductive load



For an inductive load current up to the limit defined by E_{AS} (max. ratings see page 3 and diagram on page 10) each switch is protected against loss of V_{bb} .

Consider at your PCB layout that in the case of V_{bb} disconnection with energized inductive load the whole load current flows through the GND connection.

Inductive load switch-off energy dissipation



Energy stored in load inductance:

$$E_L = \frac{1}{2} \cdot L \cdot I_L^2$$

While demagnetizing load inductance, the energy dissipated in PROFET is

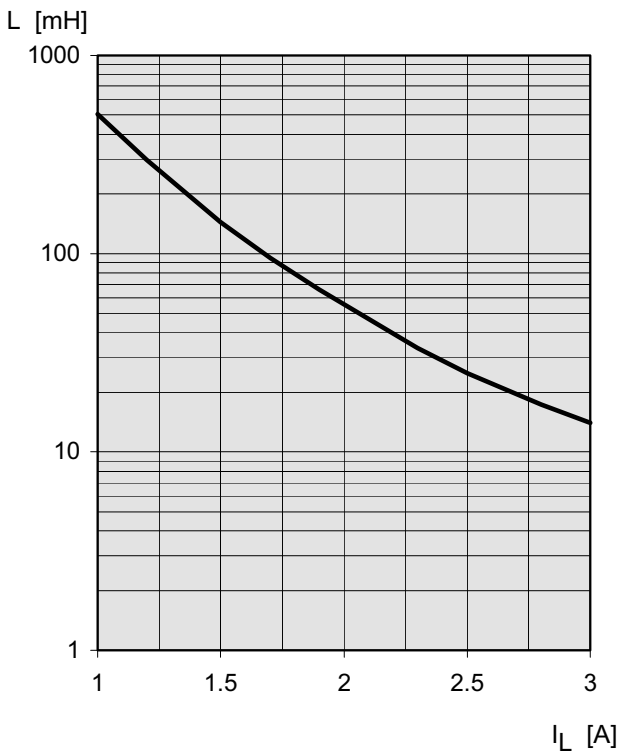
$$E_{AS} = E_{bb} + E_L - E_R = \int V_{ON(CL)} \cdot i_L(t) dt,$$

with an approximate solution for $R_L > 0 \Omega$:

$$E_{AS} = \frac{I_L \cdot L}{2 \cdot R_L} (V_{bb} + |V_{OUT(CL)}|) \ln \left(1 + \frac{I_L \cdot R_L}{|V_{OUT(CL)}|} \right)$$

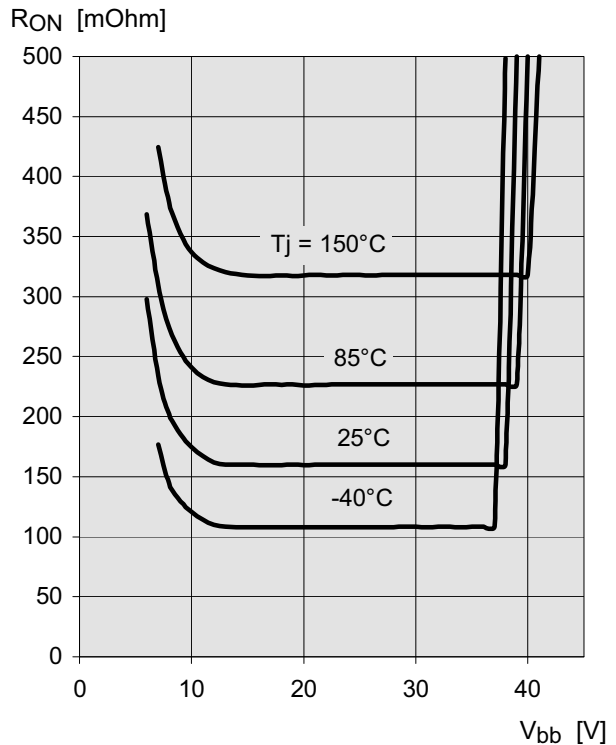
Maximum allowable load inductance for a single switch off (one channel)⁵⁾

$L = f(I_L)$; $T_{j,start} = 150^\circ\text{C}$, $V_{bb} = 12\text{V}$, $R_L = 0 \Omega$



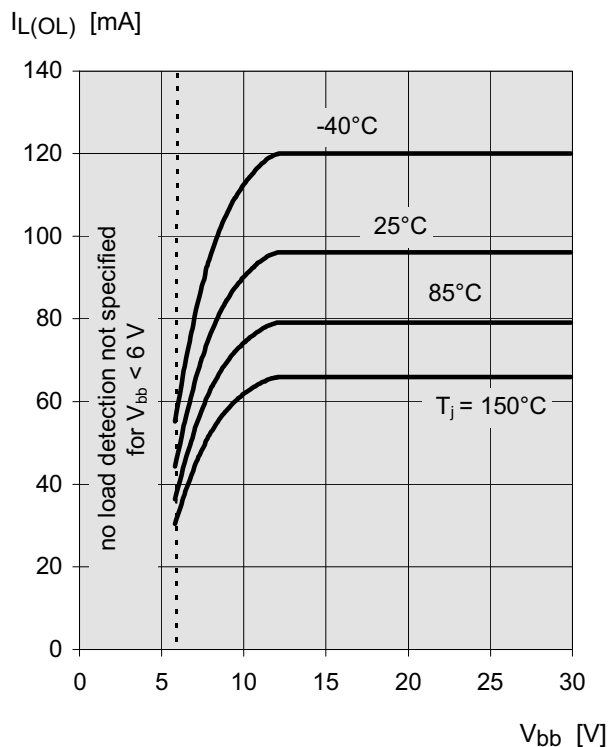
Typ. on-state resistance

$R_{ON} = f(V_{bb}, T_j)$; $I_L = 1.8\text{A}$, $I_N = \text{high}$



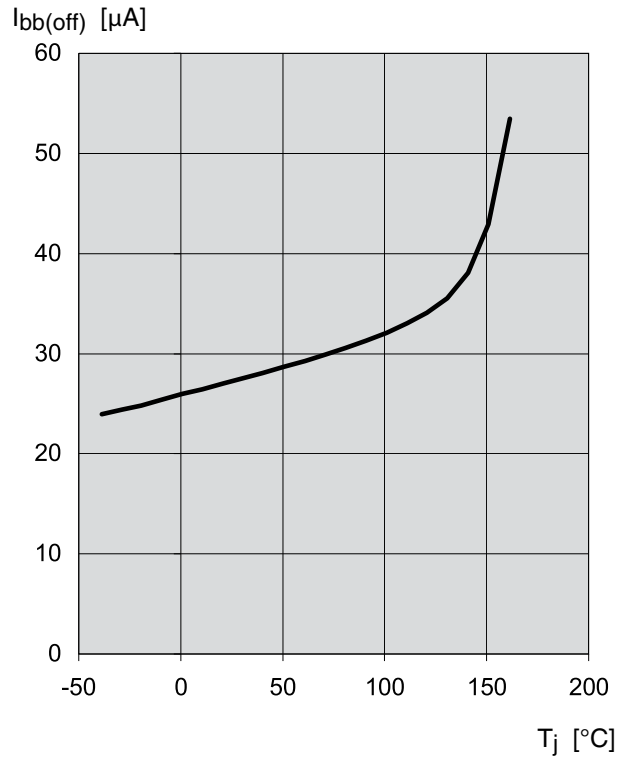
Typ. open load detection current

$I_{L(OL)} = f(V_{bb}, T_j)$; $I_N = \text{high}$



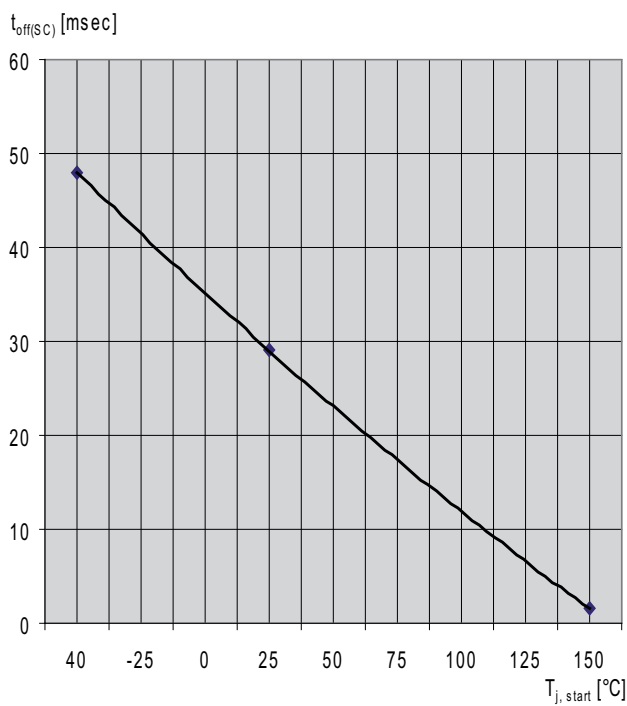
Typ. standby current

$I_{bb(off)} = f(T_j)$; $V_{bb} = 9...34\text{ V}$, $IN_{1...4} = \text{low}$



Typ. initial short circuit shutdown time

$t_{off(SC)} = f(T_{j,start})$; $V_{bb} = 12\text{ V}$



Timing diagrams

Timing diagrams are shown for chip 1 (channel 1/2). For chip 2 (channel 3/4) the diagrams are valid too. The channels 1 and 2, respectively 3 and 4, are symmetric and consequently the diagrams are valid for each channel as well as for permuted channels

Figure 1a: V_{bb} turn on:

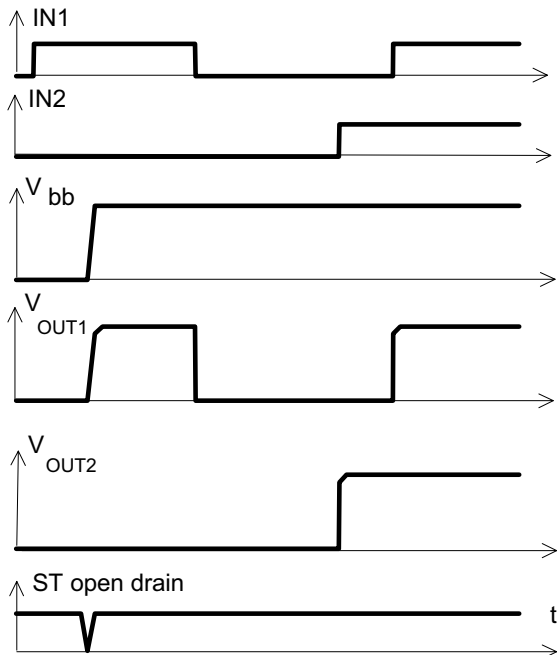
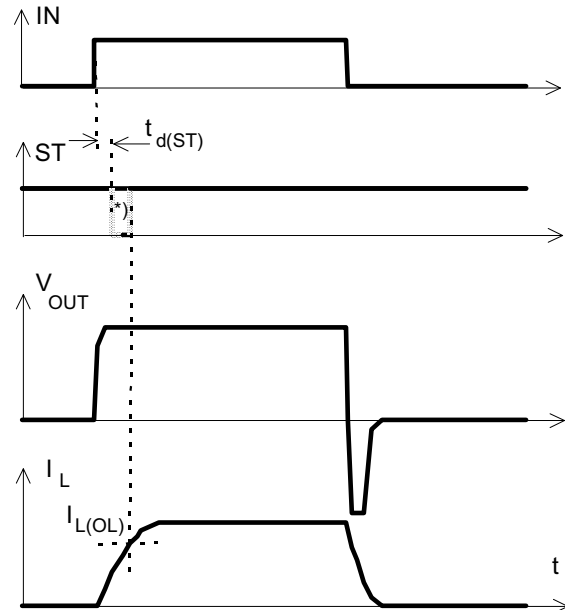
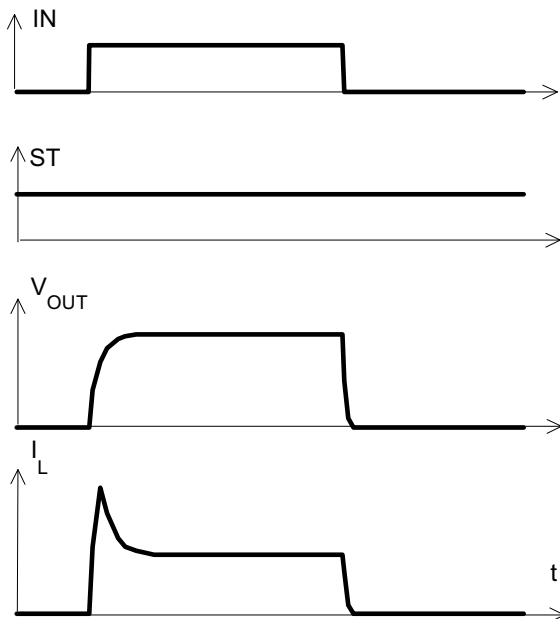


Figure 2b: Switching an inductive load



*) if the time constant of load is too large, open-load-status may occur

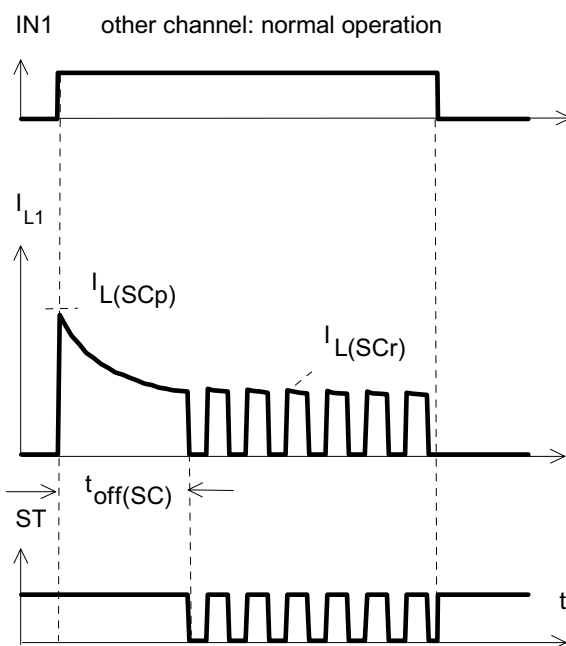
Figure 2a: Switching a lamp:



The initial peak current should be limited by the lamp and not by the initial short circuit current $I_{L(SCp)} = 7.5 \text{ A}$ typ. of the device.

Figure 3a: Turn on into short circuit:

shut down by overtemperature, restart by cooling



Heating up of the chip may require several milliseconds, depending on external conditions ($t_{off(SC)}$ vs. $T_{j,start}$ see page 11)

Figure 3b: Turn on into short circuit: shut down by overtemperature, restart by cooling (two parallel switched channels 1 and 2)

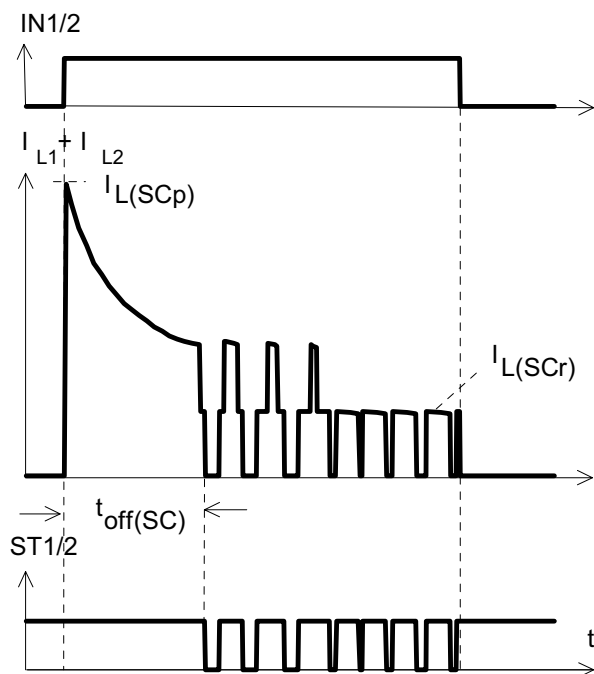


Figure 4a: Overtemperature: Reset if $T_j < T_{jt}$

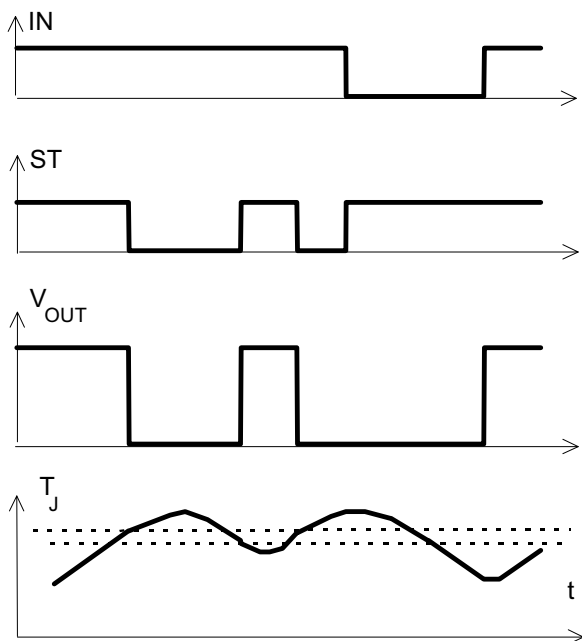


Figure 5a: Open load: detection in ON-state, open load occurs in on-state

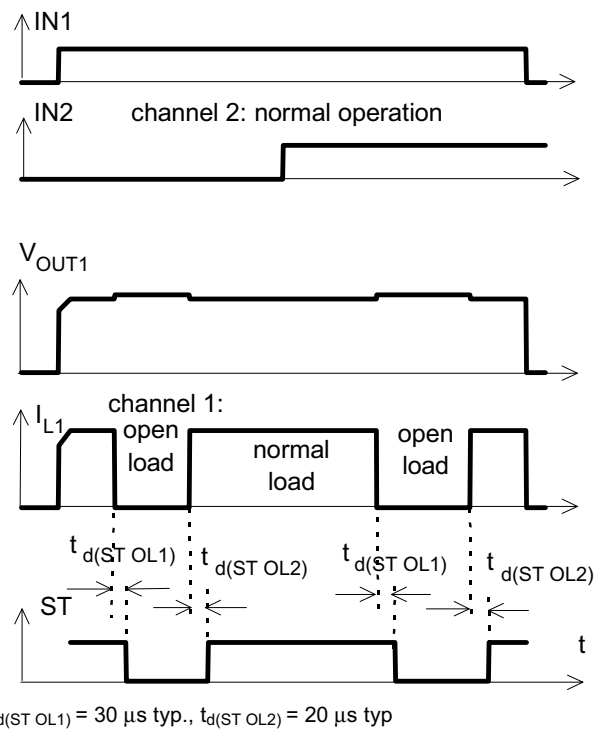
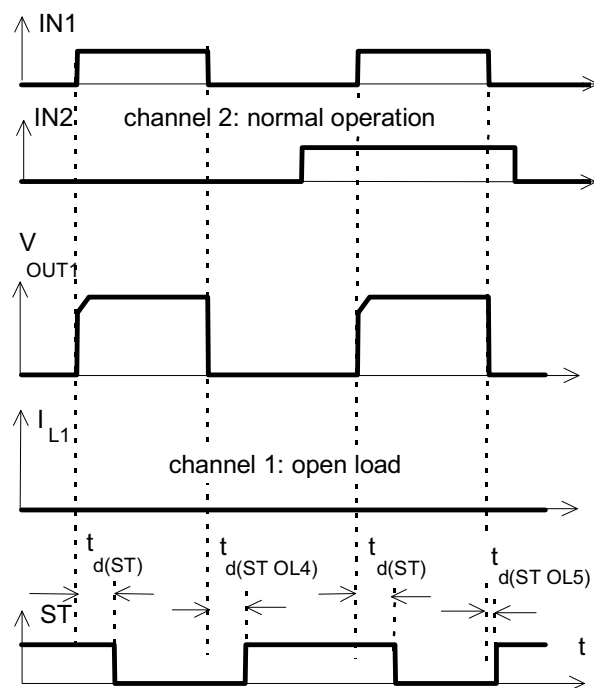


Figure 5b: Open load: detection in ON-state, turn on/off to open load



The status delay time $t_{d(ST OL4)}$ allows to distinguish between the failure modes "open load in ON-state" and "overtemperature".

Figure 5c: Open load: detection in ON- and OFF-state (with REXT), turn on/off to open load

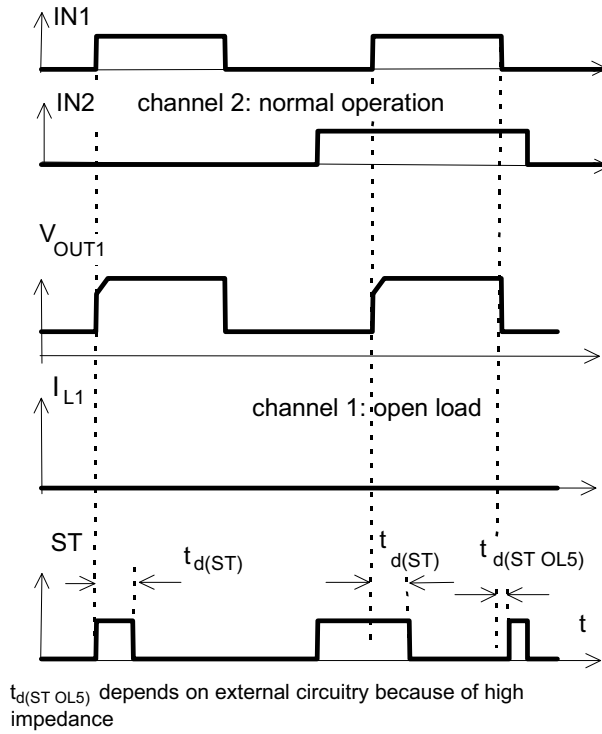


Figure 6a: Undervoltage:

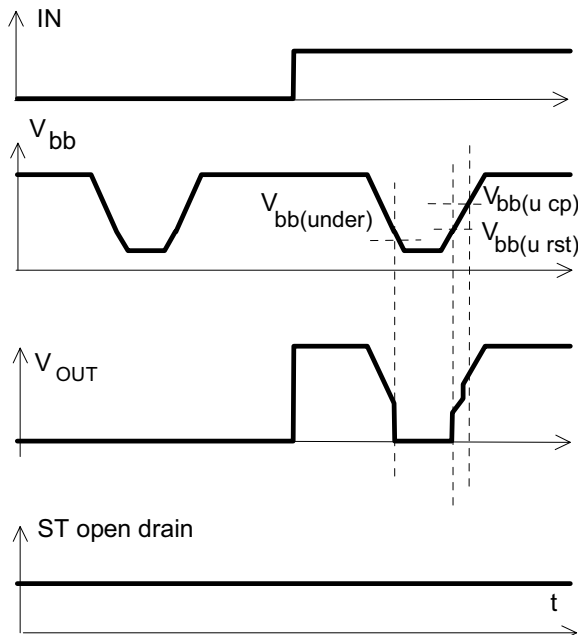
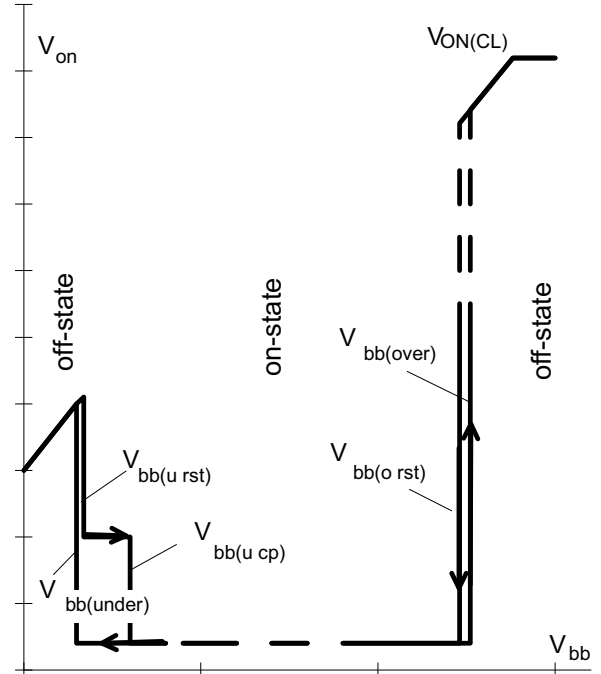
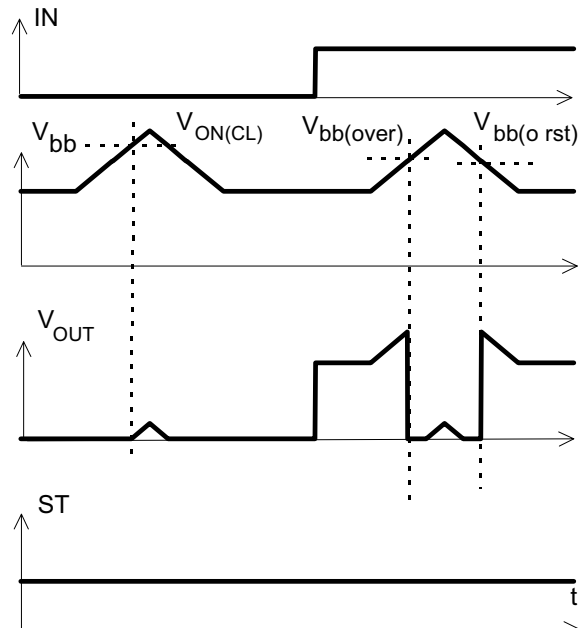


Figure 6b: Undervoltage restart of charge pump



IN = high, normal load conditions.
Charge pump starts at $V_{bb(ucp)} = 5.6V$ typ.

Figure 7a: Overvoltage:



Package Outlines

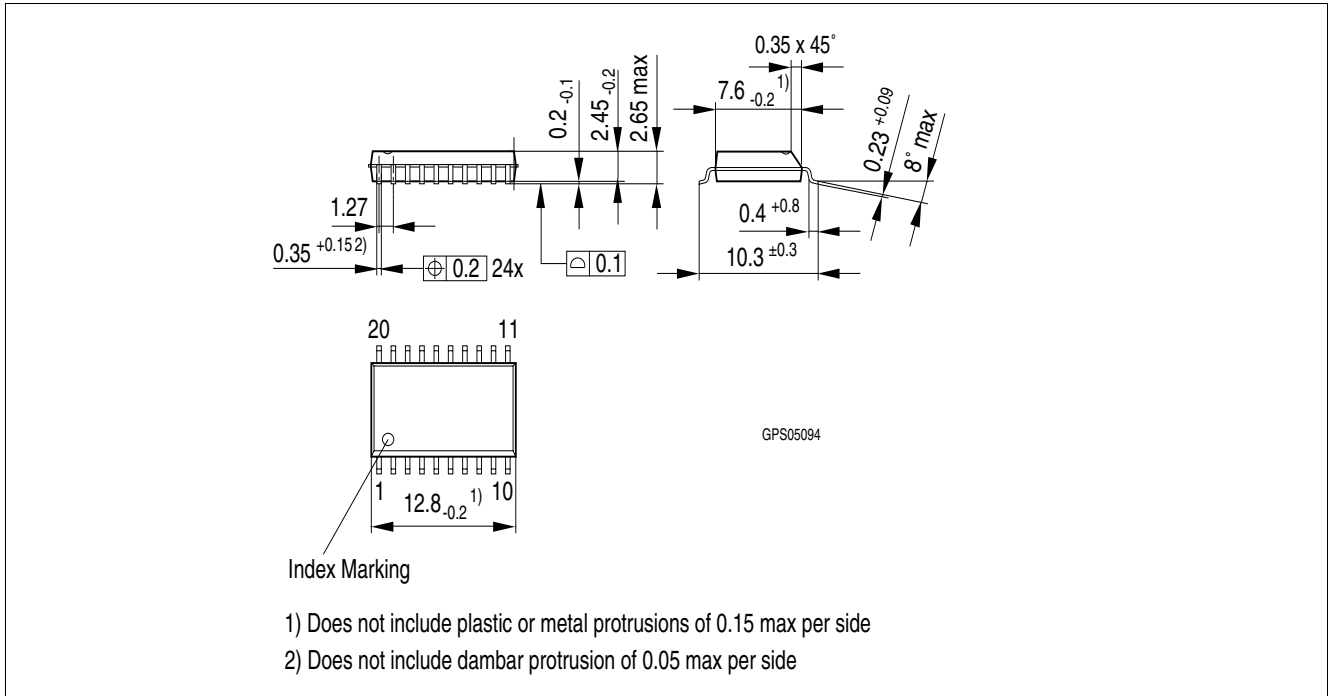


Figure 1 PG-DSO-20-31 / PG-DSO-20-59 (Plastic Dual Small Outline Package) (RoHS-compliant)

Green Product (RoHS compliant)

To meet the world-wide customer requirements for environmentally friendly products and to be compliant with government regulations the device is available as a green product. Green products are RoHS-Compliant (i.e Pb-free finish on leads and suitable for Pb-free soldering according to IPC/JEDEC J-STD-020).

Please specify the package needed (e.g. green package) when placing an order

Revision History

Version	Date	Changes
Rev. 1.3	2012-01-16	page 16: added package variant PG-DSO-20-59
Rev. 1.2	2010-03-16	page 6: changed reference to the timing diagram
Rev. 1.1	2009-07-13	page 1: added new coverpage page 6: Initial short circuit shutdown time changed: $t_{\text{off(SC)}}$ -40 °C to 48 ms $t_{\text{off(SC)}}$ 25 °C to 29 ms
V1.0	2008-04-18	Creation of the Green Data sheet

Edition 2012-01-16

**Published by
Infineon Technologies AG
81726 Munich, Germany**

**© Infineon Technologies AG 1/17/12.
All Rights Reserved.**

Legal Disclaimer

The information given in this document shall in no event be regarded as a guarantee of conditions or characteristics ("Beschaffenhheitsgarantie"). With respect to any examples or hints given herein, any typical values stated herein and/or any information regarding the application of the device, Infineon Technologies hereby disclaims any and all warranties and liabilities of any kind, including without limitation warranties of non-infringement of intellectual property rights of any third party.

Information

For further information on technology, delivery terms and conditions and prices please contact your nearest Infineon Technologies Office (www.infineon.com).

Warnings

Due to technical requirements components may contain dangerous substances. For information on the types in question please contact your nearest Infineon Technologies Office.

Infineon Technologies Components may only be used in life-support devices or systems with the express written approval of Infineon Technologies, if a failure of such components can reasonably be expected to cause the failure of that life-support device or system, or to affect the safety or effectiveness of that device or system. Life support devices or systems are intended to be implanted in the human body, or to support and/or maintain and sustain and/or protect human life. If they fail, it is reasonable to assume that the health of the user or other persons may be endangered.