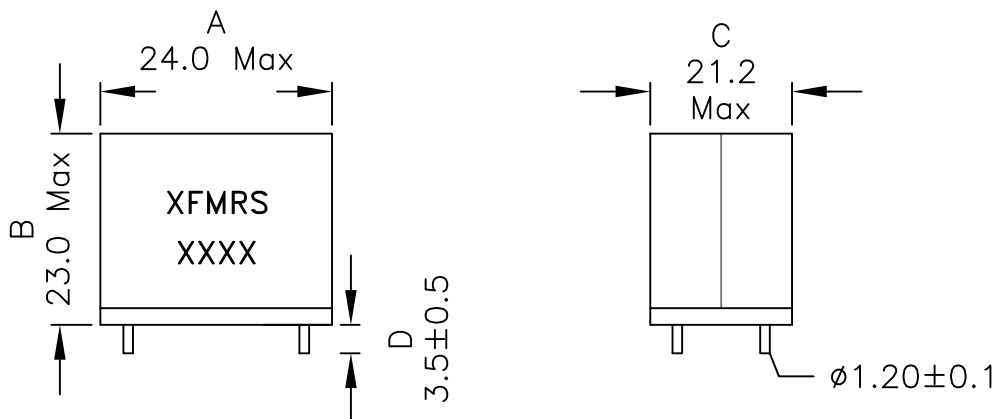
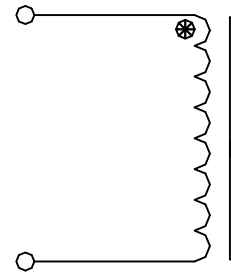


XFMRs

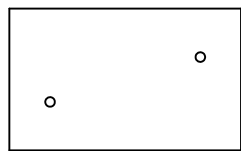
XFCD232320-xxxx Class D Amplifier Inductors



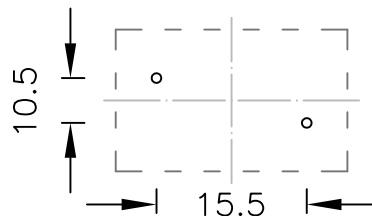
Schematic:



TOLERANCE:
.xxx ±0.250
Dimensions in MM



Bottom view



Recommended
PC Board Layout

Part Number	OCL 1KHz, 1.0V (uH) ±20%	DCR Max 25°C (mOhms)	Irms CURRENT TYP. (A)	SATURATION CURRENT 10% TYP. Drop (Adc)
XFCD232320-100M	10	9.6	9.4	37.8
XFCD232320-150M	15	9.6	9.4	23.5
XFCD232320-220M	22	9.6	9.4	18.5
XFCD232320-330M	33	9.6	9.4	10.4

Notes:

1. Solderability: Leads shall meet MIL-STD-202G, Method 208H for solderability.
2. Flammability: UL94V-0
3. ASTM oxygen index: > 28%
4. Insulation System: Class F 155°C. UL file E151556
5. All listed parameters are to be within tolerance from -40°C to +125°C unless otherwise noted.
Ambient temperature: -40°C to +85°C referring to Irms
6. Storage Temperature Range: -20°C to +40°C
7. Aqueous wash compatible
8. Electrical and mechanical specifications 100% tested
9. RoHS Compliant Component
10. Outsourced item processed & controlled under XFMRs QA system

AEC-Q200