

0.5A Avg.

30 Volts

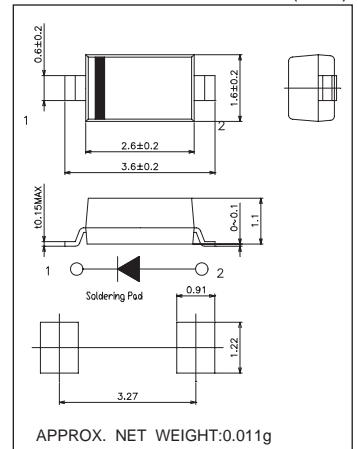
SBD

EP05Q03L

最大定格 Maximum Ratings

Item	Symbol	Conditions	Unit
くり返しピーク逆電圧 Repetitive Peak Reverse Voltage	V_{RRM}	30	V
平均整流電流 Average Rectified Forward Current	I_O	50Hz、正弦半波通電抵抗負荷 50Hz Half Sine Wave Resistive Load	0.49 0.5
実効順電流 R.M.S. Forward Current	$I_{F(RMS)}$		0.785
サージ順電流 Surge Forward Current	I_{FSM}	8 50Hz正弦半波, 1サイクル, 非くり返し 50Hz Half Sine Wave, 1cycle, Non-repetitive	A
動作接合温度範囲 Operating Junction Temperature Range	T_{jw}		- 40 ~ + 150
保存温度範囲 Storage Temperature Range	T_{stg}		- 40 ~ + 150

OUTLINE DRAWING(mm)



電氣的・熱的特性 Electrical/Thermal Characteristics

Item	Symbol	Conditions	Min.	Typ.	Max.	Unit
ピーク逆電流 Peak Reverse Current	I_{RM}	$T_j = 25$, $V_{RM} = V_{RRM}$	-	-	200	μA
ピーク順電圧 Peak Forward Voltage	V_{FM}	$T_j = 25$, $I_{FM} = 0.5A$	-	-	0.45	V
熱抵抗 Thermal Resistance	$R_{th(j-a)}$	接合部・周囲間* Junction to Ambient*	-	-	300	/W
	$R_{th(j-l)}$	接合部・リード間 Junction to Lead	-	-	70	/W

*プリント基板実装/Glass-Epoxy Substrate mounted (Soldering Lands= 1 x 1 mm, Both Sides)
(Tl: Lead Temperature)

定格・特性曲線

