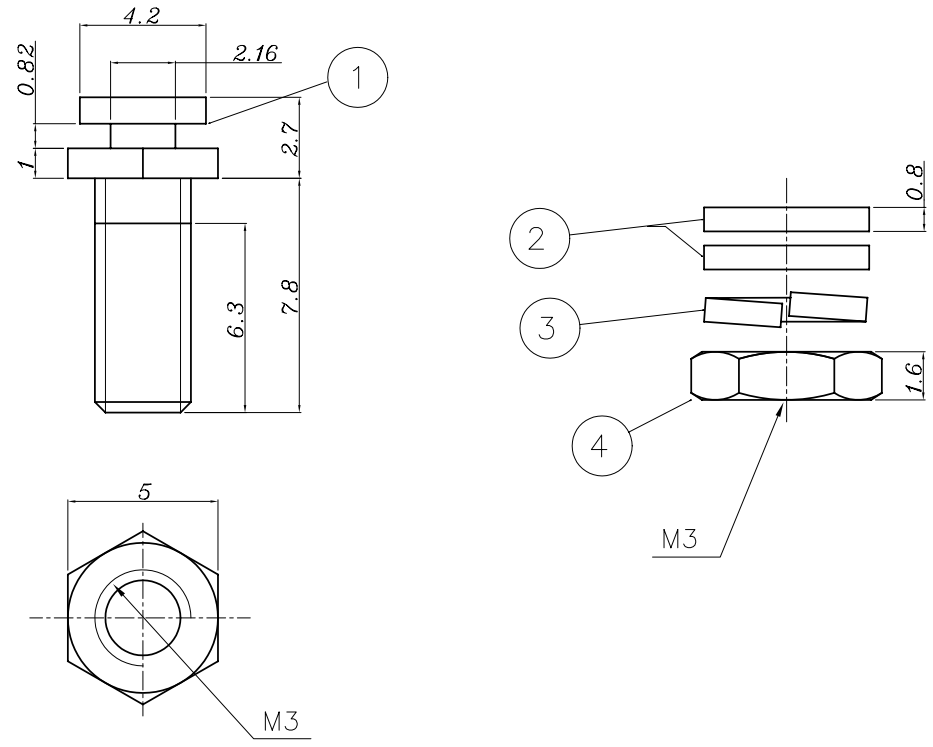


This document is the property of Amphenol Corporation and is delivered on the express condition that it is not to be disclosed, reproduced or used, in whole or in part, for manufacture or sale by anyone other than Amphenol Corporation without its prior consent, & that no right is granted to disclose or to use any information in this document.

REVISIONS				
SYM	ECN	DESCRIPTION	DATE	APPROVED
A			03/06/08	



D-SUB TECHNICAL DATA

*Plating : 100u" min. tin over
50u" min. nickel.
delivered separately
1 P/N = 10 sets*

*MARKING:
Amphenol...(Series No.)
Commercial reference
Manufacturing date*

- ① 10 LOCKING SCREWS
- ② 20 WASHERS
- ③ 10 LOCK WASHERS
- ④ 10 NUTS



Customer drawing

UNLESS OTHERWISE SPECIFIED		APPROVAL		DATE	Amphenol	
TOLERANCES		DRAWN	SUNNY LI	03/06/08		
	U.S.	METRIC	CHECKED	TH. WANG	03/06/08	TITLE Accessory for L17D53018M3X
.X	+/-	0.50	CHECKED			
.XX	+/-	0.30				SIZE DRAWING NO. REV. A4 C L17D53018M3X A
.XXX	+/-	0.20				
FRACTIONS	+/-					SCALE NONE SHEET 1 OF 1
ANGLES	+/-	2'				
FOR MATERIALS AND FINISHES SEE NOTES		DRAWING FILE :				
REMOVE SHARP EDGES		ANGLE OF PROJECTION				
DIMENSIONS						
U.S.	INCHES					
METRIC	MM					