



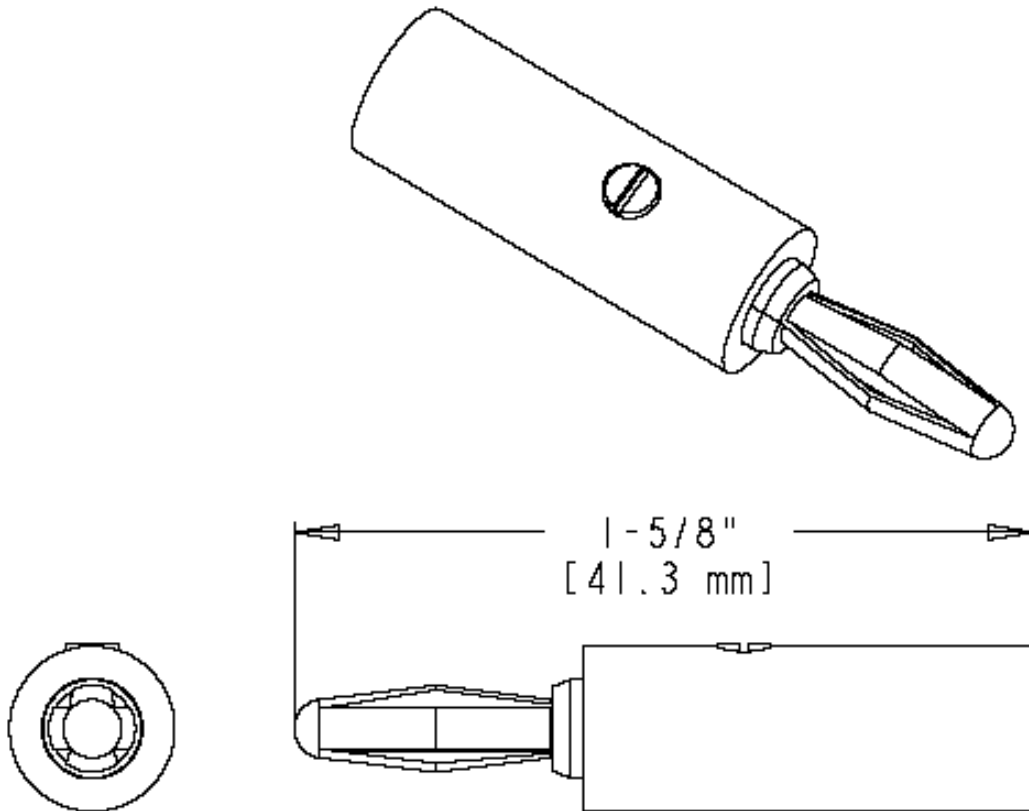
Part Number: BU-00245-*

Description:

2907

BU-00245-*

Set Screw Banana Plug



- Set Screw Banana Plug
- Material: Banana Plug: nickel-plated brass body; Spring: nickel-plated phosphor bronze; Insulator: ABS
- Length: 1.62" (41.3mm)
- *Std. Colors: -0 Black -2 Red
- Rating: 15 Amps