

# 1000 BASE –T QUAD PORT MAGNETICS MODULES

## P/N: G4P109RNY LF DATA SHEET

### Feature

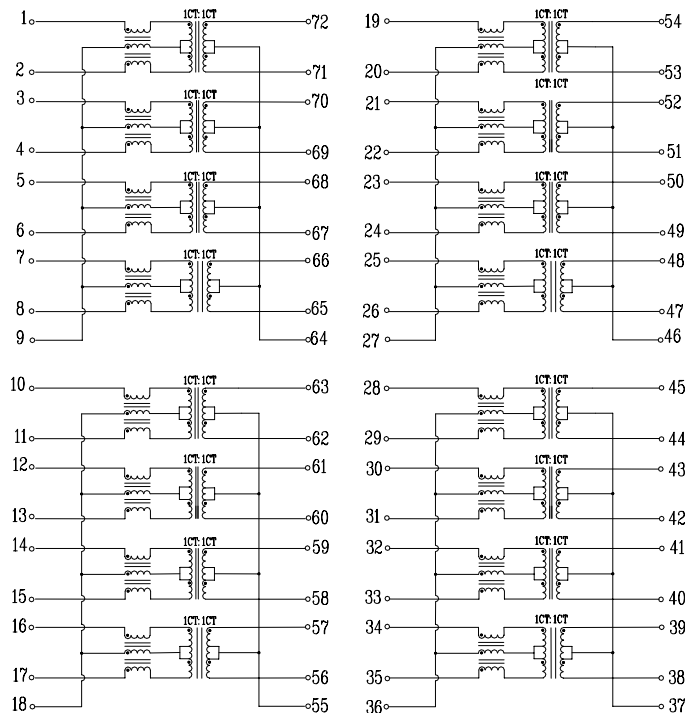


- Designed for Ethernet 1000 BASE-T, full Quad port applications.
- Supports 16 pairs of category 5 UTP cable.
- Cable interface for isolation and low common mode emissions.
- Compliant with IEEE 802.3ab standard for 1000 BASE-T.
- Compliance with ROHS requirements.
- Operating temperature range: 0 to +70 .
- Storage temperature range: -25 to +105 .

| Electrical Specifications @ 25°C |                   |         |  |                                 |       |        |               |  |
|----------------------------------|-------------------|---------|--|---------------------------------|-------|--------|---------------|--|
| Part Number                      | Turns Ratio (±5%) |         | OCL (uH Min) @100KHz/0.1V with 8mA DC Bias | Cross talk Attenuation (dB Min) |       |        | HI-POT (Vrms) |  |
|                                  | TX                | RX      |  | 30MHz                           | 60MHz | 100MHz |               |  |
| G4P109RNY LF                     | 1CT:1CT           | 1CT:1CT | 350  | -40                             | -35   | -30    | 1500          |  |

| Continue     |                         |                                |         |       |       |          |               |       |       |
|--------------|-------------------------|--------------------------------|---------|-------|-------|----------|---------------|-------|-------|
| Part Number  | Insertion Loss (dB Max) | Return Loss (dB Min)@ Load 100 |         |       |       |          | DCMR (dB Min) |       |       |
|              |                         | 1-100MHz                       | 1-30MHz | 40MHz | 50MHz | 60-80MHz | 100MHz        | 30MHz | 60MHz |
| G4P109RNY LF | -1.0                    | -18                            | -14.4   | -13.1 | -12   | -10      | -40           | -35   | -30   |

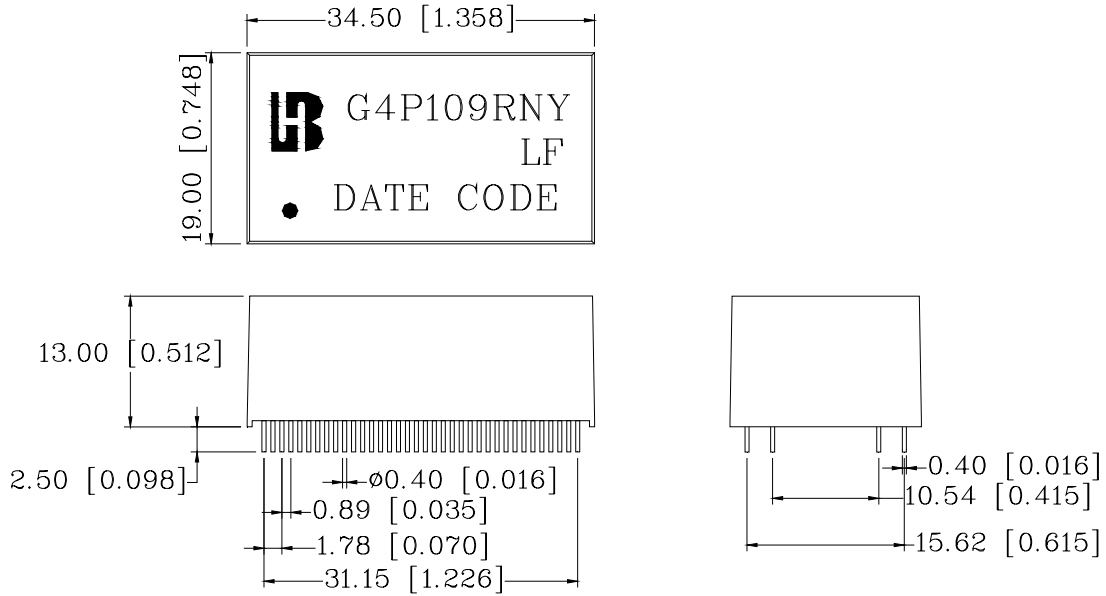
### Schematic



# 1000 BASE -T QUAD PORT MAGNETICS MODULES

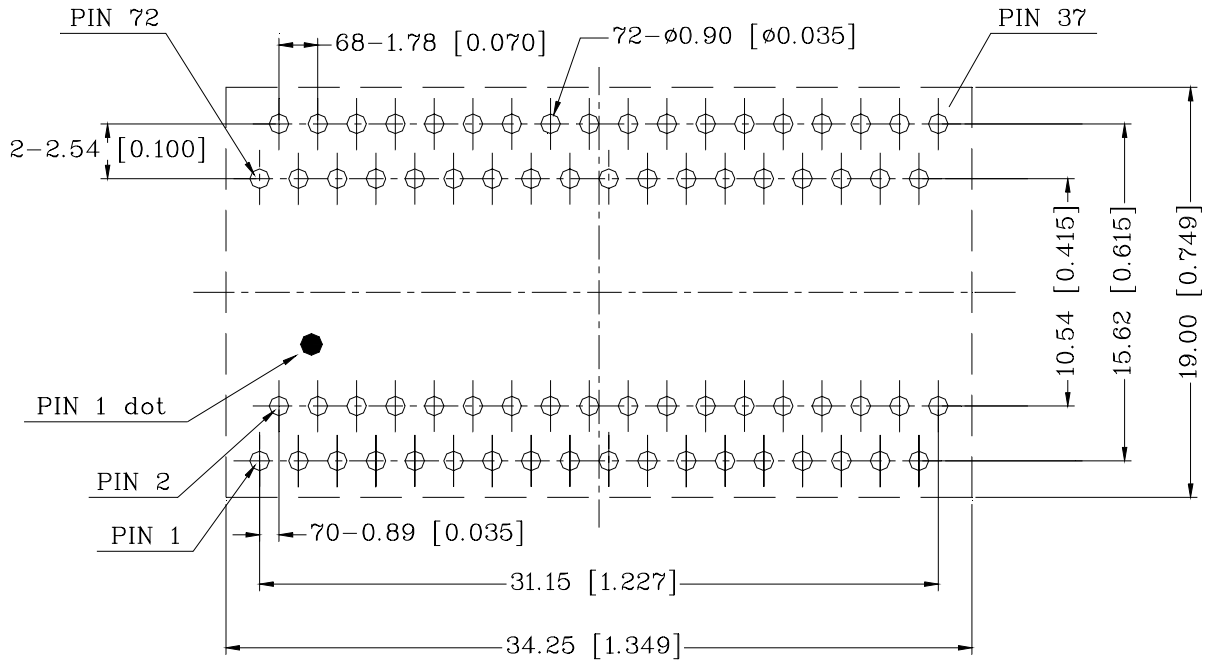
## P/N: G4P109RNY LF DATA SHEET

### Mechanical



Units: mm[Inches] Tolerances: xx.x0±0.25[0.010]  
 0.xx±0.05[0.002]

### PCB Layout mounting Hole ( Top View )



Units: mm[Inches] Tolerances: xx.x0±0.25[0.010]  
 0.xx±0.05[0.002]