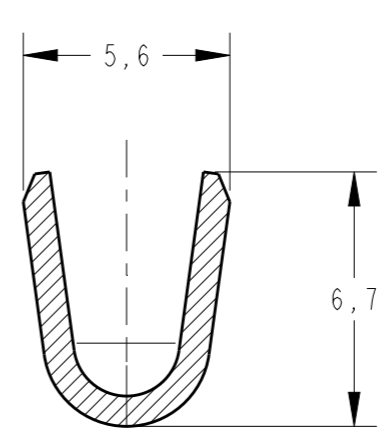
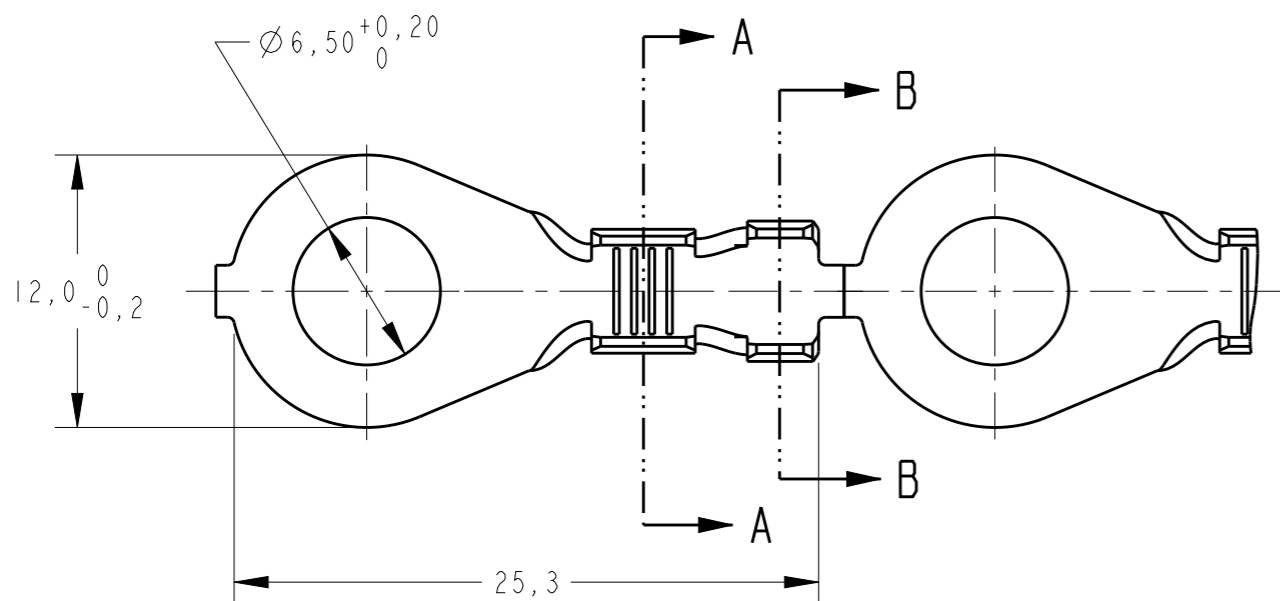


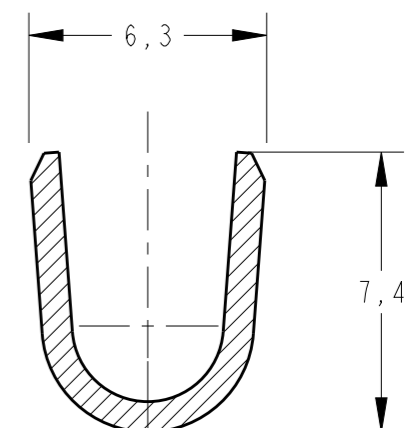
LOC AP DIST -

REVISIONS

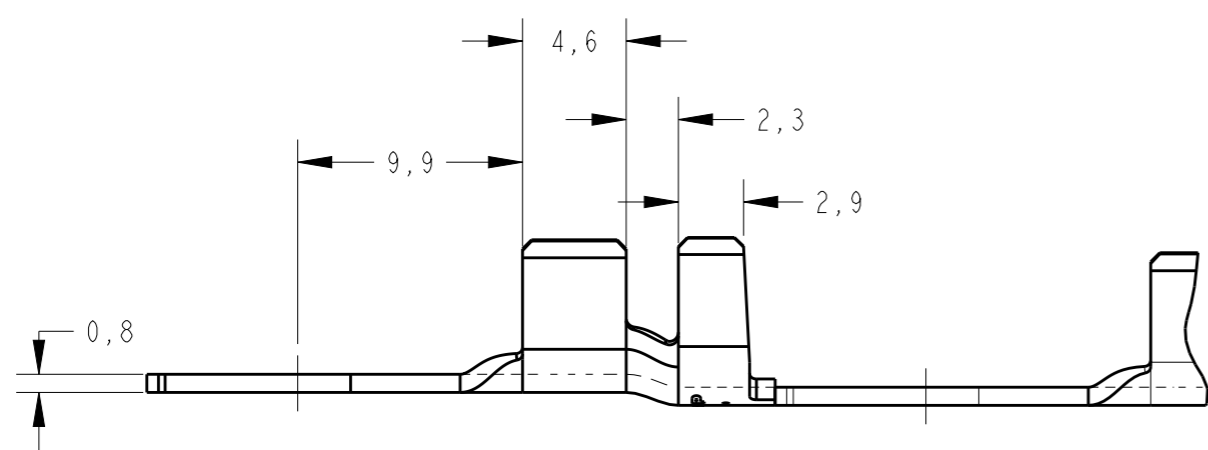
P	LTR	DESCRIPTION	DATE	DWN	APVD
G4		REDRAW AND REVISED ECO 13-015672	09OCT2013	HC	WLS
G5		REV. BY ECO 15-014754	17FEB2016	HC	WLS



SECTION A-A SCALE 5:1



SECTION B-B SCALE 5:1

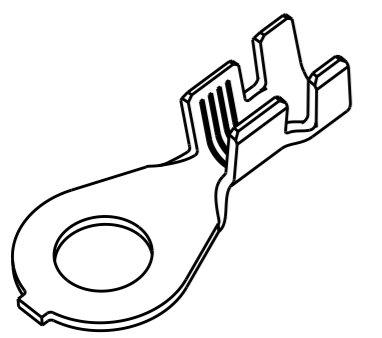


△ - BOBINAR COM PAPEL INTERCALADO
 - REELING WITH PAPER INTERLEAVE

OBSELETE	PÓS ESTANHADO/ ELECTRO TIN PLATED	LATÃO / BRASS	626037-4
	---	BRONZE FOSFOROSO/PHOSP. BRONZE	626037-3
	PÓS ESTANHADO/ ELECTRO TIN PLATED	LATÃO / BRASS	626037-2
	---	LATÃO / BRASS	626037-1

IDW	WDW	INSUL. RANGE	WIRE RANGE	FINISH	MATERIAL	PART NO
16,26	14,22	∅ 3,2-5,3mm	4,0-6,0mm ²	---	LATÃO / BRASS	626037-1

THIS DRAWING IS A CONTROLLED DOCUMENT.		DWN H.CANTERI 08DEC2013	 TE Connectivity
DIMENSIONS: mm		CHK W.L.STEFANI 08DEC2013	
TOLERANCES UNLESS OTHERWISE SPECIFIED:		APVD -	
0 PLC ±- 1 PLC ±0,3 2 PLC ±- 3 PLC ±- 4 PLC ±- ANGLES ±°		NAME -	
MATERIAL SEE TABLE	FINISH SEE TABLE	PRODUCT SPEC -	RING TONGUE
		APPLICATION SPEC -	SIZE A3
		WEIGHT -	CAGE CODE 00779
		Customer Drawing	DRAWING NO C-626037
			RESTRICTED TO -
			SCALE 3:1
			SHEET 1 OF 1
			REV G5



PERSPECTIVE VIEW SCALE 2:1