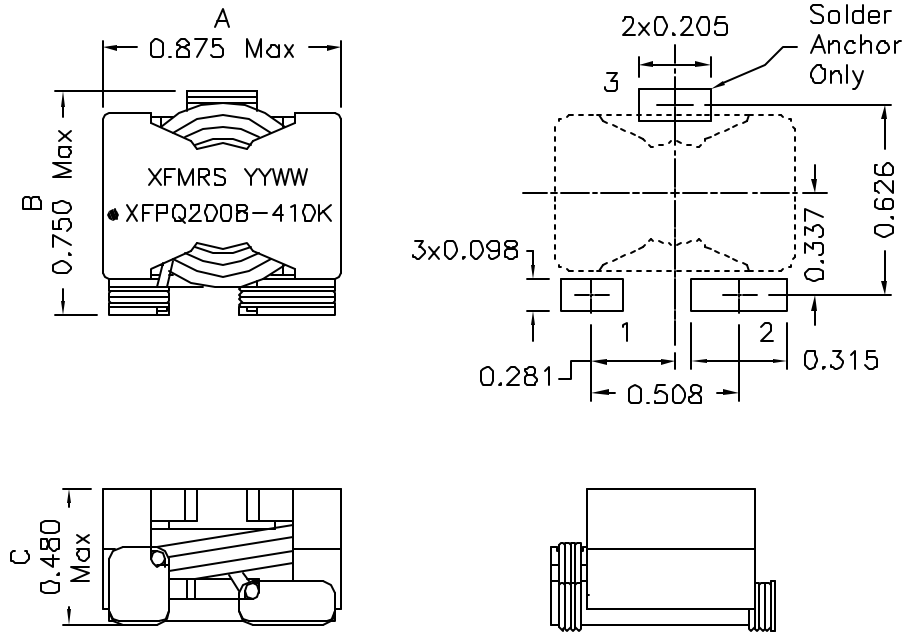


1. Mechanical:



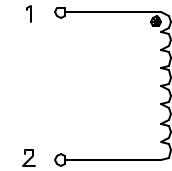
Notes:

1. Solderability: Leads shall meet MIL-STD-202G, Method 208H for solderability.
2. Flammability: UL94V-0
3. ASTM oxygen index: > 28%
4. Insulation System: Class F 155°C. UL file E151556
5. Operating Temperature Range: All listed parameters are to be within tolerance from -40°C to +130°C
6. Storage Temperature Range: -55°C to +130°C
7. Aqueous wash compatible
8. SMD Lead Coplanarity: $\pm 0.004"$ (0.102mm)
9. Electrical and mechanical specifications 100% tested
10. RoHS Compliant Component

DOC. REV: A/3

PROPRIETARY Document is the property of XFMRS Group & is not allowed to be duplicated without authorization.

2. Schematic:



3. Electrical Specifications: @25°C

OCL: 41.0uH \pm 10% @10KHz 1.0V, 0Adc

IDC: 40.0uH Typ @10KHz 1.0V, 6Adc

DCR: 23.1mOhms \pm 8%

Saturation Current Isat: 7.3A Typ (OCL 20% drop in L)

Heating Current IDC: 6.2A Typ (OCL 40°C Temp Rise)

XFMRS Inc www.XFMRS.com		Title: XFPQ2008 SMT POWER INDUCTORS	
UNLESS OTHERWISE SPECIFIED TOLERANCES: .xx \pm 0.010	P/N: XFPQ2008-410K	REV. A	
	Dimensions in Inch	DWN. Juan Mao	Apr-15-08
Scale 2.5:1 SHT 1 OF 1	CHK. YK Liao	Apr-15-08	
	APP. BW	Apr-15-08	