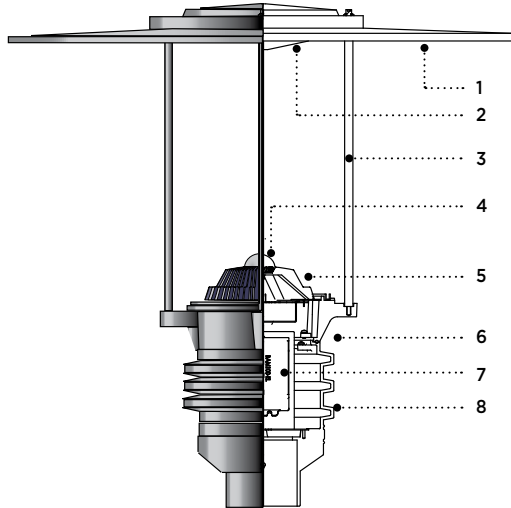


TYPE: _____ QUANTITY: _____ PROJECT: _____

CATALOG NUMBER:

FIXTURE WATTAGE VOLTAGE FINISH OPTION OPTION OPTION OPTION



- 1- One piece .090" thick hard aluminum to shade. Underside surface is painted white enamel to optimize light performance.
- 2- Inner white enamel reflector.
- 3- Set of 4 X 1/2" solid aluminum struts.
- 4- LED sealed optical beam control lens.
- 5- Cast aluminum LED heat sink.
- 6- Cast aluminum top assembly base support with hinged mechanism.
- 7- 120/277V or 347V electronic driver power supply.
- 8- Lower cast aluminum housing with 4" or 5" (102 or 127) O.D pole adaptor.

W769



MATERIALS

Eclipse is made of corrosion resistant 356 aluminum alloy with a copper (CU) content of less than 0.1%.

LED printed circuit board is assembled with a cast aluminum heat sink designed with fins pattern to optimize heat dissipation and luminaire efficacy. The driver is enclosed in a separate cast aluminum chamber with a tool-less hinge mechanism allowing a quick access for electrical maintenance without disturbing the optical light chamber.

The lower cast aluminum housing fits on a 4" (102) or 5" (127) pole and contains all electrical controls on a removable tray.

ELECTRICAL

LED

DRIVER 120/277V multi volt (50-60HZ) with a minimum starting temperature of -30°C/-22°F. Optional 347V on request.
Output over voltage, Output over current and output short circuit protection with auto-recovery. Over temperature protection (110°C).

LED Standard 4000°K LED platform included. Optional 3000°K and 3500°K. Removable modular LED platform.

LIFE

51,000hrs $L_{70}B_{50}$ (based on IESNA TM-21 Test Method and LM-80 data).
68,000hrs $L_{70}B_{50}$ (calculated projection from LM-80 data).

FINISH

Five-stage preparation process including preheating of cast parts for air extraction, and an environmentally friendly alloy sealant. Polyester powder coating is applied through an electrostatic process and oven cured for long term finish.

MOUNTING

Maximum weight: 33lbs (15kg)

Eclipse is designed for ease of access and installation.

Standard luminaire fits on a 4" (102) or 5" (127) pole.

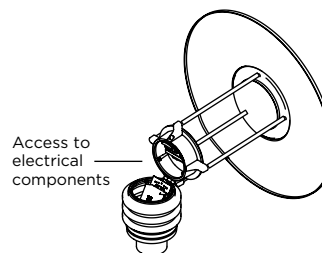
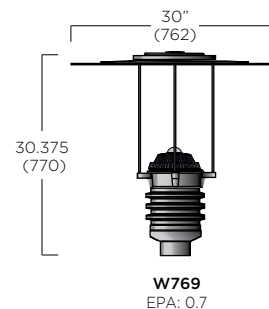
Alternate poles or wall attachments are proposed with high quality components to meet multiple installation conditions.

CERTIFICATION

Tested to UL1598 and CSA 22.2 #250. ETL listed wet location.

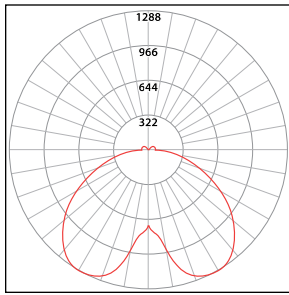
Photometric testing performed by an independent laboratory in accordance with IES LM-79-08 standards at 25°C. Lumen depreciation in accordance with IESNA LM80 standards. CE certification on request.

Rated IP65.



ECLIPSE features a unique tool less swing out shade assembly, allowing a quick access to luminaire maintenance, leaving a clean optical chamber to ensure a high lumen performance.

TYPICAL PHOTOMETRY SUMMARY




Descriptive Information
 Total Lms: 4892 Lumens
 Total Input Watts: 59.99 W
 Source: LED
 Total efficiency: 81.55%
 BUG Rating: B2-U3-G1
 Cutoff classification: Cutoff
 Distribution: Type V
 CCT/CRI: 4000°K / 80 CRI

W769-L1W65R1

Outdoor report Polar graph
 Maximum Candela = 1288 Located at 27.5°

Please visit our web site www.luminis.com for complete I.E.S. formatted download data.

LUMINAIRE SELECTION

MODEL#	LED LIGHT SELECTION					VOLTAGE ¹	FINISH
 <input type="checkbox"/> W769	SUFFIX	INPUT WATTS	DELIVERED LUMENS	CRI	CCT °K	<input type="checkbox"/> 120V <input type="checkbox"/> 277V Optional <input type="checkbox"/> 347V	STANDARD COLORS
	<input type="checkbox"/> L1W65R1	60W	4892	80	4000 °K		<input type="checkbox"/> WHT Snow white <input type="checkbox"/> BKT Jet black <input type="checkbox"/> BZT Bronze <input type="checkbox"/> MST Matte silver <input type="checkbox"/> GRT Titanium gray <input type="checkbox"/> DGT Gun metal <input type="checkbox"/> CHT Champagne
							OPTIONAL COLORS
							<input type="checkbox"/> CS Custom color <input type="checkbox"/> RAL RAL# color (Refer to color chart)

OPTIONS

ELECTRICAL

- FS Fuse ²
- PH Photocell ²
- 347L 347V input power driver

Alternate CCT °K LED

- K3 3000°K CCT LED
- K35 3500°K CCT LED

MOUNTING

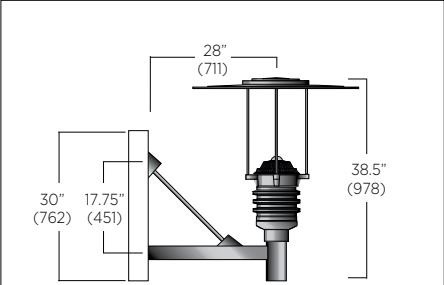
- ACA Pole mounted attachment with 45° support
- ACW Wall mounted attachment with 45° support
- EC3P Pole mounted twin arm attachment
- EC3W Wall mounted twin arm attachment
- TN3 3" Tenon pole adaptor
- PR7 Pedestal mount adaptor

NOTES

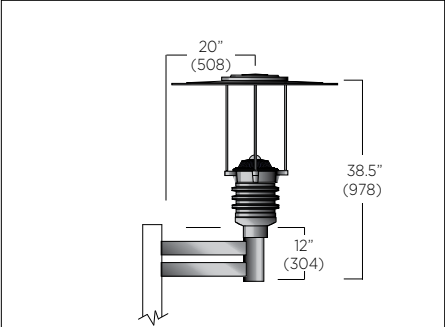
- 1- Luminaires are factory prewired for 120V (if no voltage is specified.) For other voltages, please specify with catalog number, or consult factory.
- 2- Fuse and photo cell options are normally installed with poles when specified with Luminis luminaires. (Except for other types of mounting.)



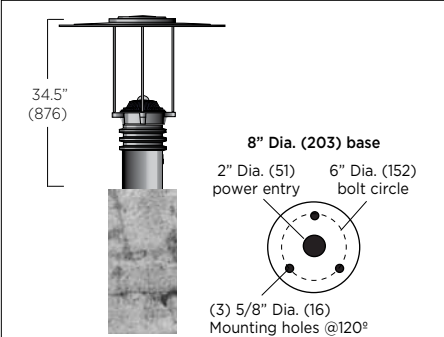
POLE MOUNT



ACA¹
 1" X 3" extruded aluminum extended arm pole mounting adaptor designed to fit with 4 to 5" dia. poles. 1/2" dia. X 45° standard natural stainless steel rod support. (EPA: 0.7)

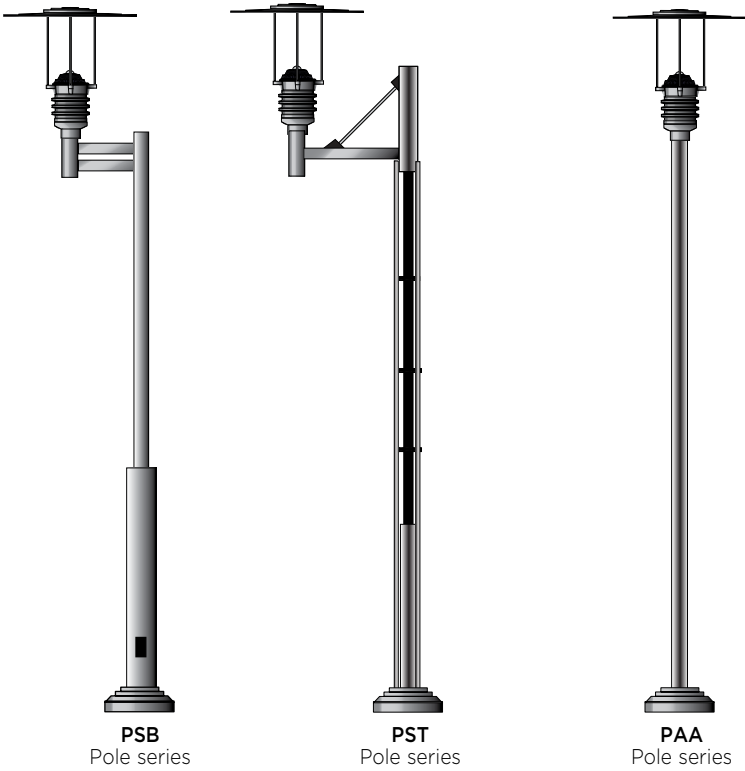


EC3P¹
 Set of (2) 1" X 3" extruded aluminum side pole straight mounting. Designed for luminaires with or less shades. Pole mounting adaptor fits with 4 to 5" dia. poles. (EPA: 0.97)



PR7
 8" Dia.(203) X 8 3/4" (222)H.
 extruded aluminum stand designed for short walls or pier mount.

NOTE 1: PCA Pole with ACA attachment requires a 30" (762) tenon extension over pole nominal height. EC3P and EC3PS require an 18" tenon extension. Factory installed.



MATCHING POLE SELECTION

Ø 4"	Ø 5"	Ø 4"	Tapered Pole	Ø 4"	Height
PAA410	PAA510	PST10	-----	PSB10	10 Ft. (3 M)
PAA412	PAA512	PST12	-----	PSB12	12 Ft. (3,6 M)
PAA414	PAA514	PST14	-----	PSB14	14 Ft. (4,2 M)
PAA416	PAA516	PST16	PTA16	PSB16	16 Ft. (4,8 M)
PAA418	PAA518	-----	PTA18	PSB18	18 Ft. (5,5 M)
PAA420	PAA520	-----	PTA20	PSB20	20 Ft. (6,0 M)
-----	-----	-----	PTA25	-----	25 Ft. (7,6 M)

For additional pole details, please refer to separate pole specification sheet.
 Ø 4"= 100mm Ø5"= 127mm



WALL MOUNT

ACW
1" X 3" (25X76) extruded aluminum extended arm wall mounting adaptor with cast aluminum covers and galvanized steel mounting plates. 1/2" dia. X 45° standard natural stainless steel rod support.

Mounting

EC3W
Set of (2) 1" X 3" (25X76) extruded aluminum wall mount arms with cast aluminum wall plate. Designed for luminaires with or less shades.

Mounting

