

MSD INSTALLATION INSTRUCTIONS

MSD Cap-A-Dapt PN 8420

ONLINE PRODUCT REGISTRATION: Register your MSD product online. Registering your product will help if there is ever a warranty issue with your product and helps the MSD R&D team create new products that you ask for! Go to www.msperformance.com/registration.

Parts Included:

1 – Adapter Base, PN 8446	2 – 5/8" Rotor Screws
1 – Rotor (two pieces), PN 8421	2 – 3/4" Rotor Screws
1 – Cap – PN 8408	2 – Belleville Washers

INSTALLATION

1. Leave the spark plug wires in place and remove the distributor cap.
2. Before removing the rotor, position it in a way that its location can be noted. Mark the position of the rotor tip then remove the rotor (Figure 1).
3. Install the Adapter Base onto the distributor making sure the key way is aligned properly. Push and rotate the retaining spring clips until they clamp to the distributor housing.
4. Before installing the rotor base, determine which length rotor screws are needed for your distributor. Figure 2 shows the two different rotor screw retainers offered on different MSD distributors.

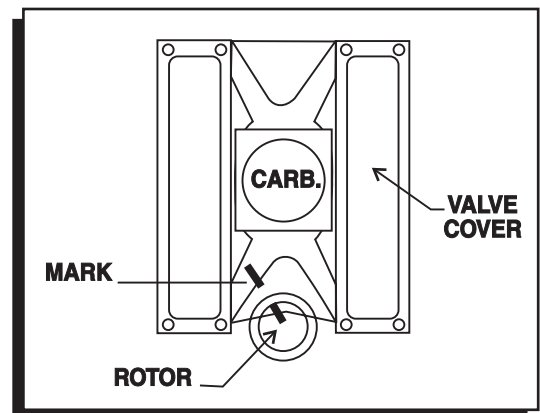


Figure 1 Marking the Position of the Rotor Tip.

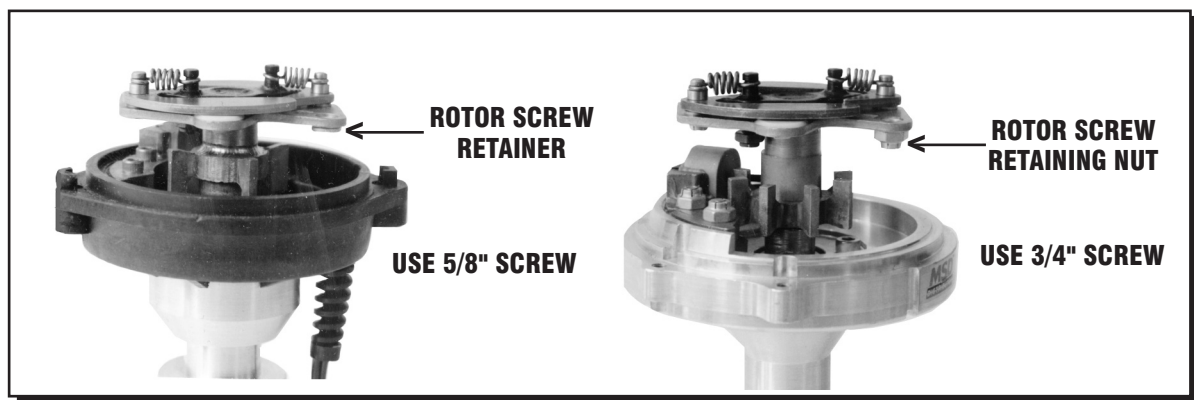


Figure 2 Determining Rotor Screw Length.

5. Install the Rotor Base with the correct length screws and Belleville washers to the advance plate. Install the rotor next and its tip should be pointing to the same mark you made in step 2.
6. Install the distributor cap.
7. Transfer the plug wires one at a time in the proper order from the original distributor cap.



Figure 3 Installing the Cap-A-Dapt.

Note: If you are swapping from a socket style distributor cap to the Cap-A-Dapt you will need new spark plug terminals and boots. The correct boots and terminals are sold in a set as PN 8850.

Limited Warranty

MSD warrants this product to be free from defects in material and workmanship under its intended normal use*, when properly installed and purchased from an authorized MSD dealer, for a period of one year from the date of the original purchase. This warranty is void for any products purchased through auction websites. If found to be defective as mentioned above, it will be repaired or replaced at the option of MSD. Any item that is covered under this warranty will be returned free of charge using Ground shipping methods.

This shall constitute the sole remedy of the purchaser and the sole liability of MSD. To the extent permitted by law, the foregoing is exclusive and in lieu of all other warranties or representation whether expressed or implied, including any implied warranty of merchantability or fitness. In no event shall MSD or its suppliers be liable for special or consequential damages.

*Intended normal use means that this item is being used as was originally intended and for the original application as sold by MSD. Any modifications to this item or if it is used on an application other than what MSD markets the product, the warranty will be void. It is the sole responsibility of the customer to determine that this item will work for the application they are intending. MSD will accept no liability for custom applications.