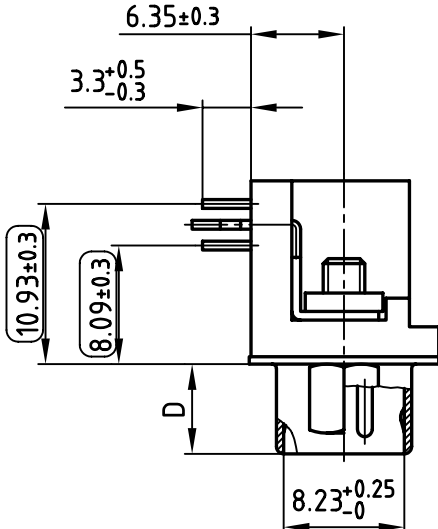
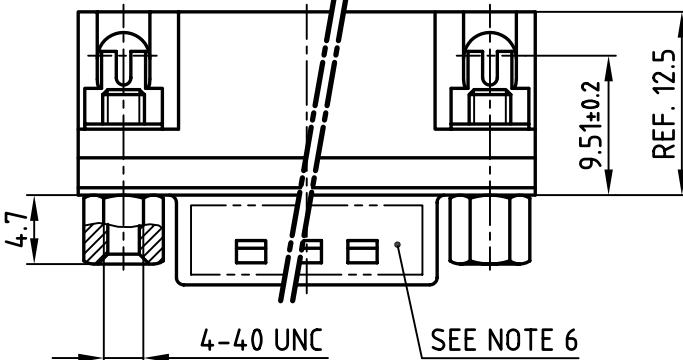
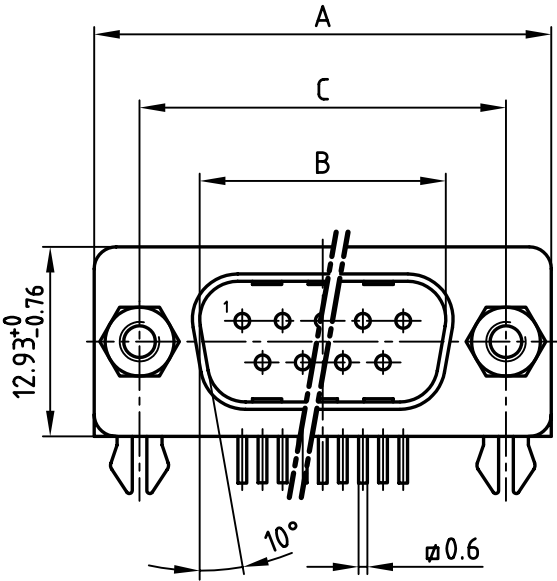


used for: D-SUB

POS.	A ^{-0.76}	B ^{+0.25}	C	D ^{-0.3}	PART-NO.
9	31.19	16.79	25.00 ^{+0.12} _{-0.13}	6.12	DLS1XP5AK40X
15	39.52	25.12	33.30 ^{+0.15} _{-0.1}	6.12	DLS2XP5AK40X
25	53.42	38.84	47.04 ±0.13	5.99	DLS3XP5AK40X
37	69.70	55.30	63.50 ±0.13	5.99	DLS4XP5AK40X



Directive 2002/95/EC
"RoHS"
Compliant

- NOTES:**
- METALSHELLS: STEEL; min. 320µ" TIN
 - INSULATORS: PA UL 94 V-0, BLACK
 - CONTACTS: COPPER ALLOY
PLATING: 8µ" HARD GOLD OVER min. 50µ" NICKEL
 - PCB-CLIP: COPPER ALLOY; min. 200µ" TIN over 80µ" NICKEL
PCB-HOLE: $\phi 3.1 \pm 0.1$; PCB THICKNESS 1.6mm
 - P.C.B. HOLE DRILLINGS SEE SHEET 2
 - CONNECTOR IS PART MARKED: PART-NO. CONEC ABC
 - = CHECK DIMENSION

APPROVAL # FREIGABE # DEBLOCAGE # AUTORIZACION # APPROVAL	
CUSTOMER APPROVAL DATE:	
NAME:	TITLE:
COMPANY NAME:	
APPROVAL # FREIGABE # DEBLOCAGE # AUTORIZACION # APPROVAL	

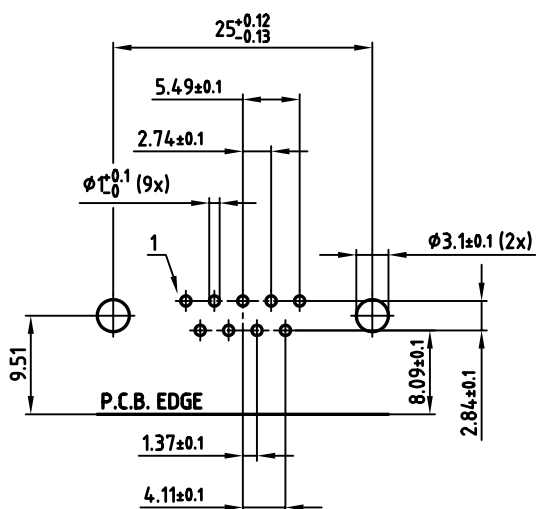
THIS DRAWING MAY NOT BE COPIED OR REPRODUCED IN ANY WAY, AND MAY NOT BE PASSED ON TO A THIRD PARTY WITHOUT WRITTEN PERMISSION.
 OWNERSHIP AND COPYRIGHT OF CONEC GmbH
 DO NOT ALTER CAD DRAWING BY HAND

rev.	description	date	name

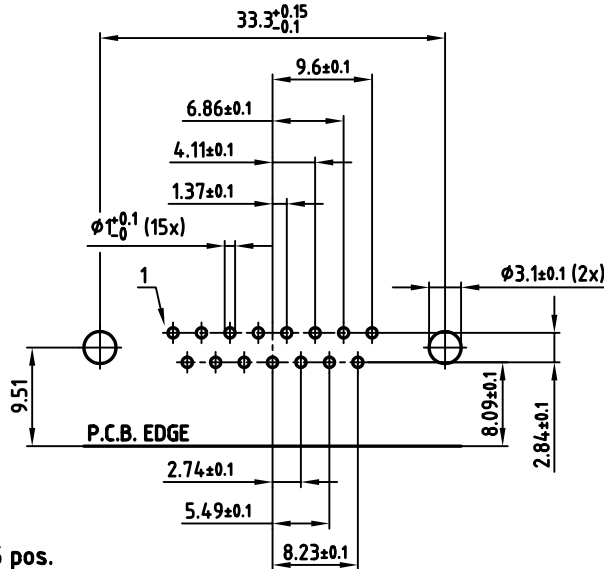
tolerance		scale: 2:1
dim. in mm		material: SEE NOTES
2005	date	name
drawn	27.06.	Lehmenkühler
appd.	27.06.	Kühle
norm	DIN 41652	
d-old		
CONEC [®]		

title:	D-SUB MALE 90°	
	9-37pos. pin angled 0.318", stamped contacts with threaded lock and clip	
dwg no:	AutoCAD 2004	DIN-A
	16K1A1438	4
		sh:1/2
part no:	SEE TABLE	

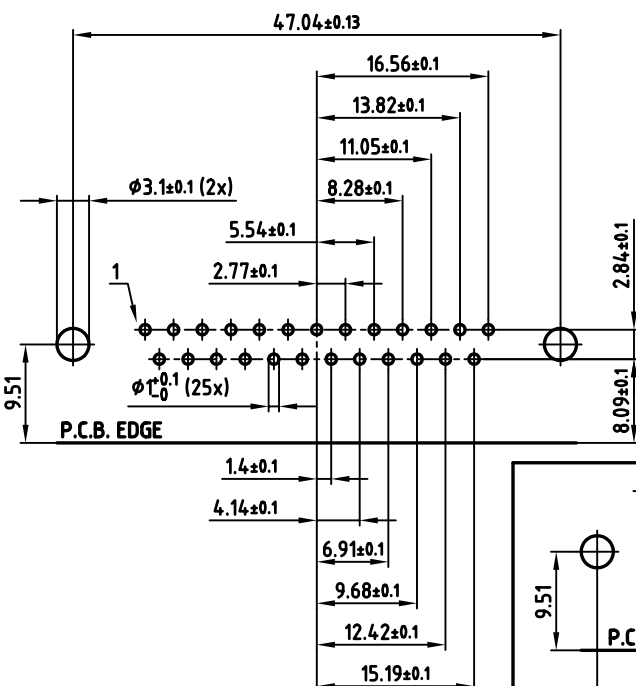
used for: D-SUB



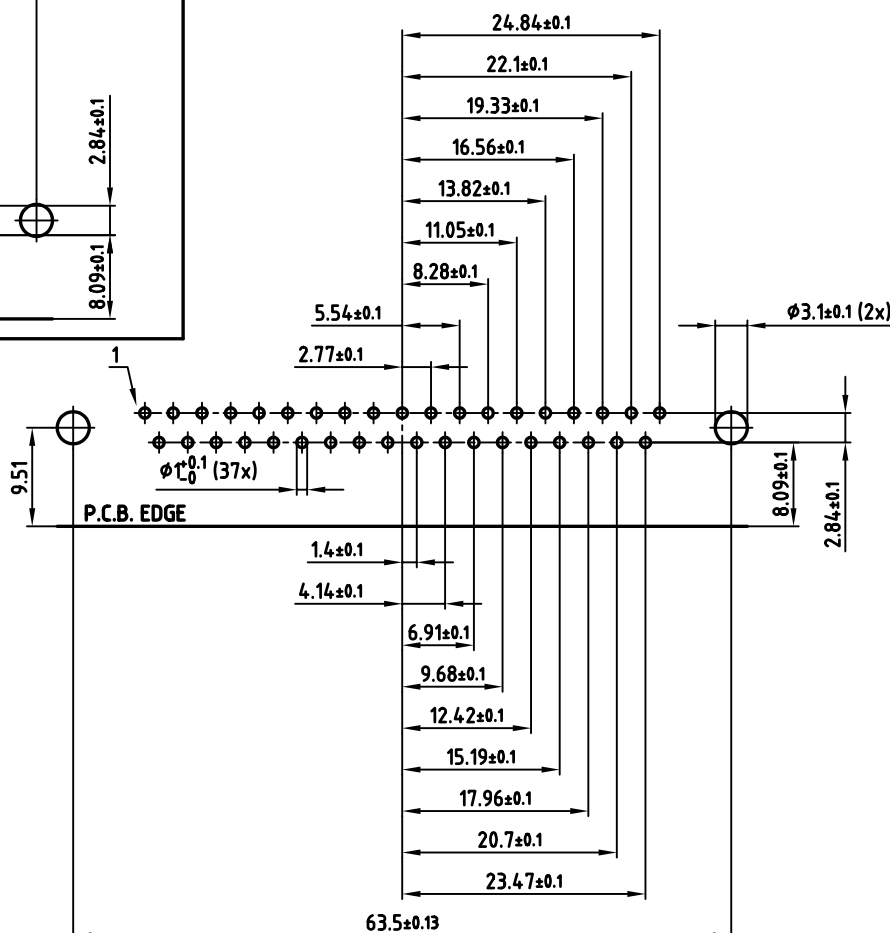
9 pos.



15 pos.



25 pos.



37 pos.

APPROVAL # FREIGABE # DEBLOCAGE # AUTORIZACION # APPROVAL

CUSTOMER APPROVAL DATE:

NAME: TITLE:

COMPANY NAME:

APPROVAL # FREIGABE # DEBLOCAGE # AUTORIZACION # APPROVAL

THIS DRAWING MAY NOT BE COPIED OR REPRODUCED IN ANY WAY, AND MAY NOT BE PASSED ON TO A THIRD PARTY, WITHOUT WRITTEN PERMISSION. OWNERSHIP AND COPYRIGHT OF CONEC GmbH DO NOT ALTER CAD DRAWING BY HAND

rev.	description	date	name

tolerance		scale:	2:1
	dim. in mm	material:	SEE SHEET 1
2005	date	name	
drawn	27.06.	Lehmenkühler	
appd.	27.06.	Kühle	
norm	DIN 41652		
d-old			
		dwg no:	AutoCAD 2004 DIN-A
			3
			sh:2/2

title: P.C.B. HOLE DRILLINGS

D-SUB MALE 90° 9-37pos. pin angled 0.318"

stamped contacts - with threaded lock and clip

part no: SEE SHEET 1