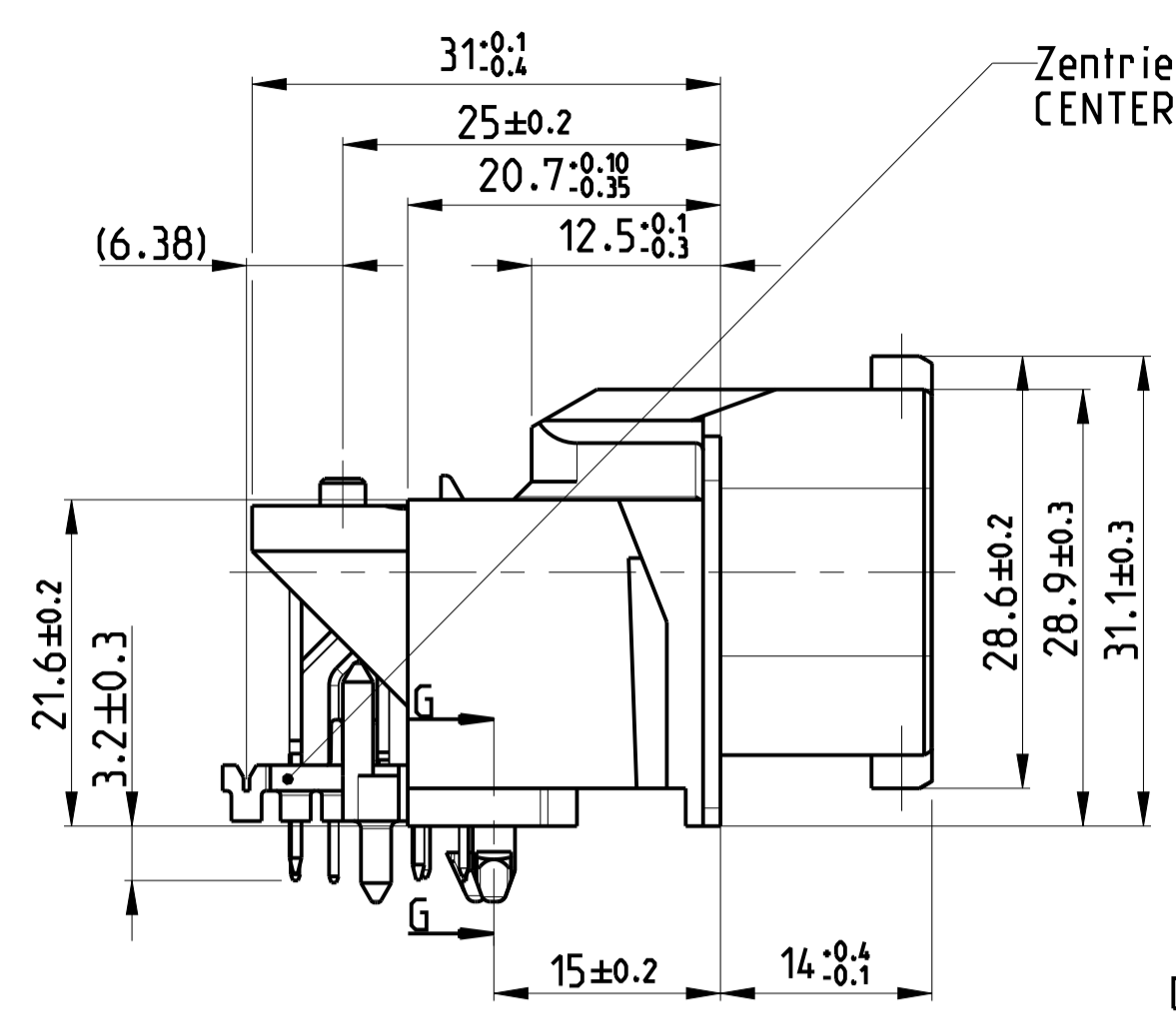
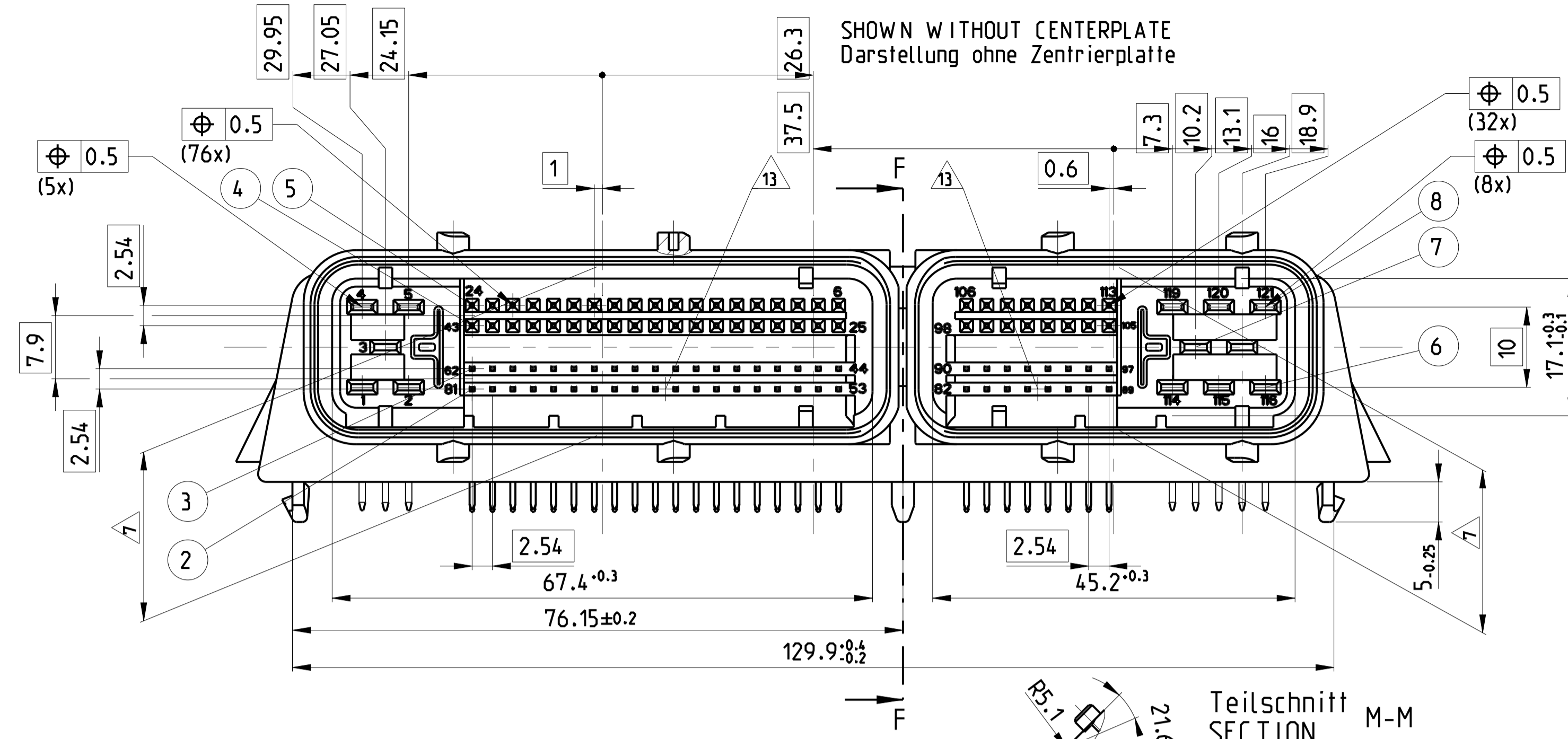


REVISIONS table with columns: P, LTR, DESCRIPTION, DATE, DWM, APVU. Includes revision details for product weight added and ECR-14-005385.

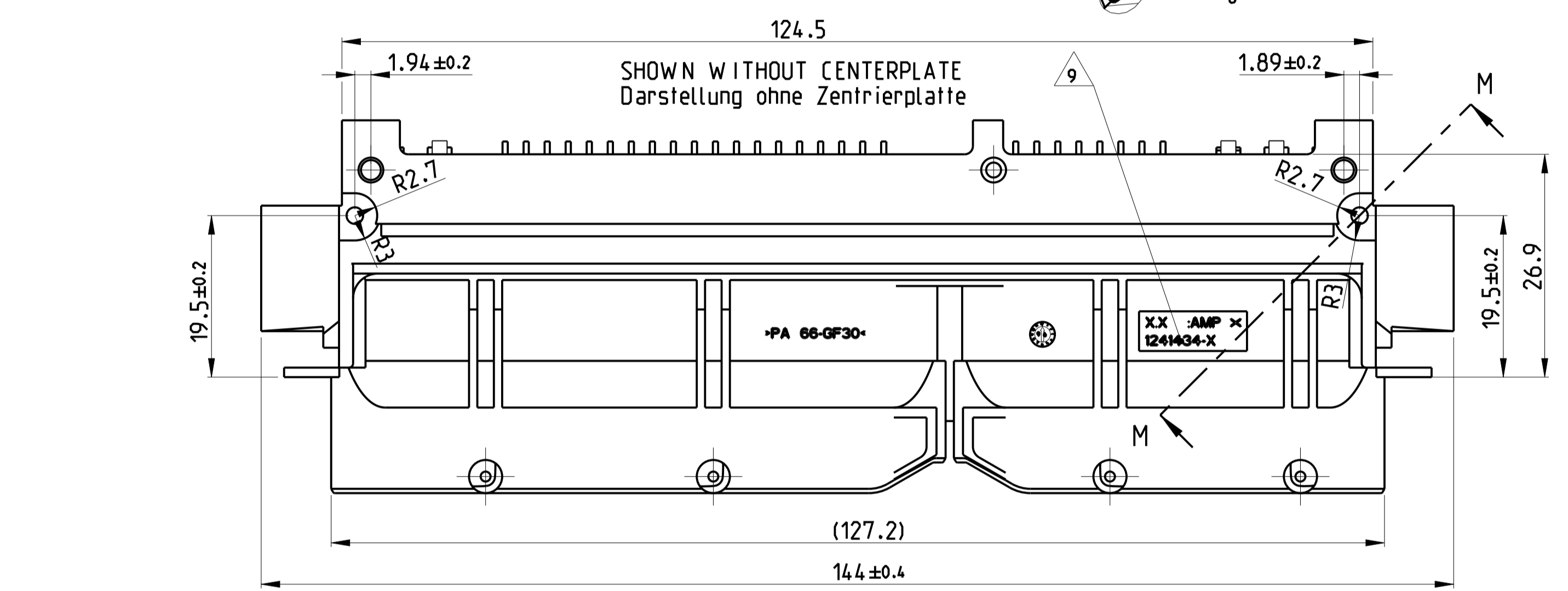


Teilschnitt SECTION F-F

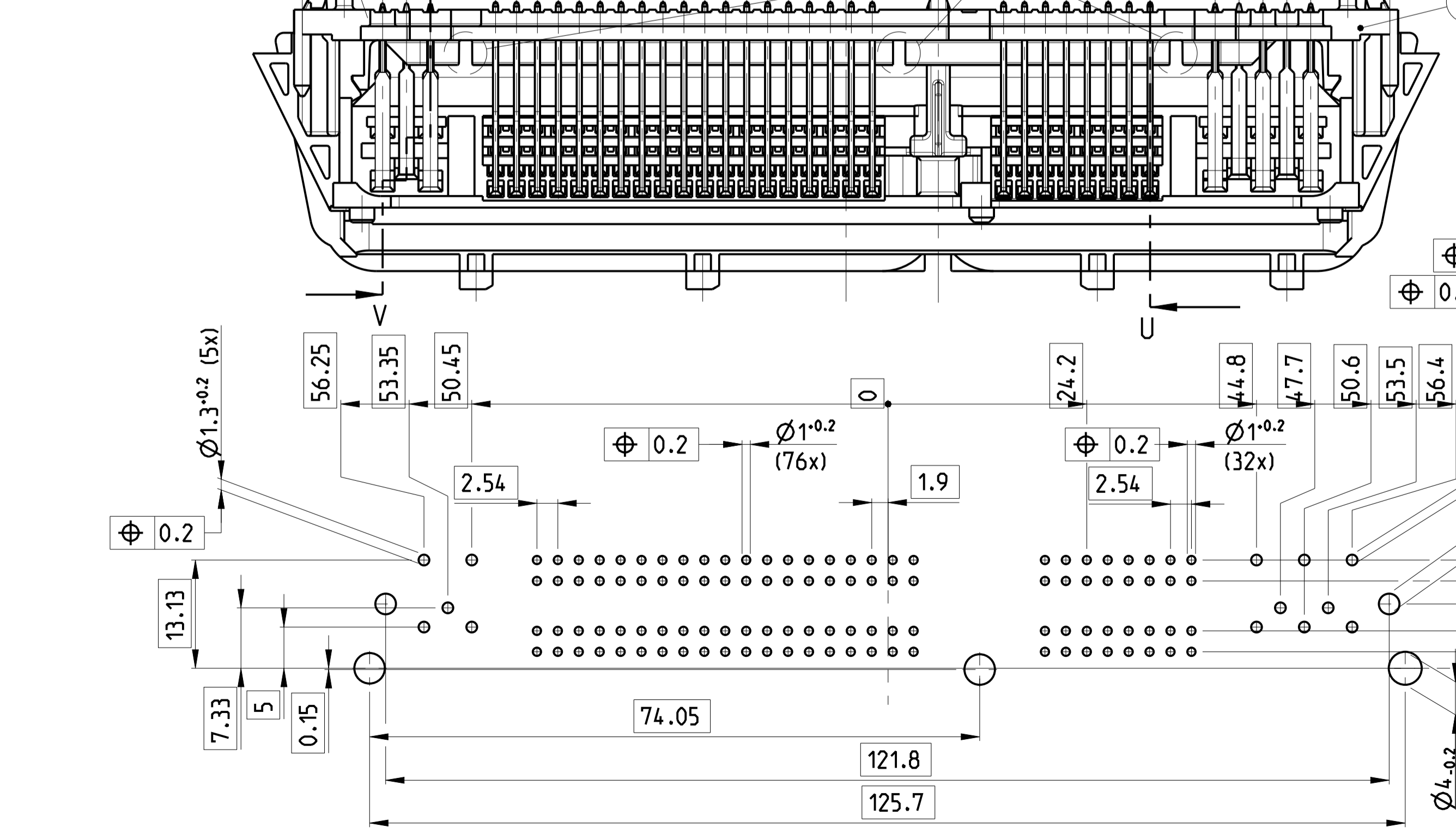
Teilschnitt SECTION G-G

Darstellung ohne Zentrierplatte SHOWN WITHOUT CENTERPLATE

Ansicht 'X' View 'X'



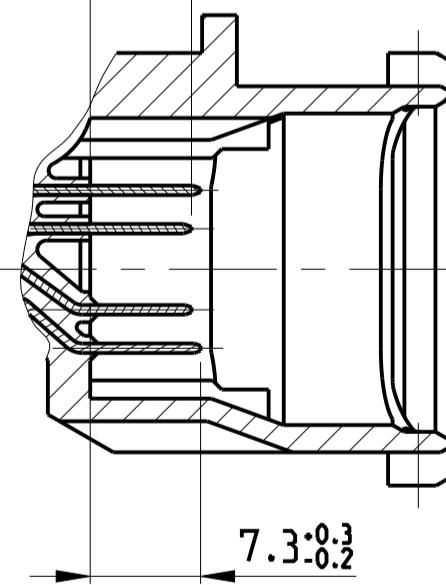
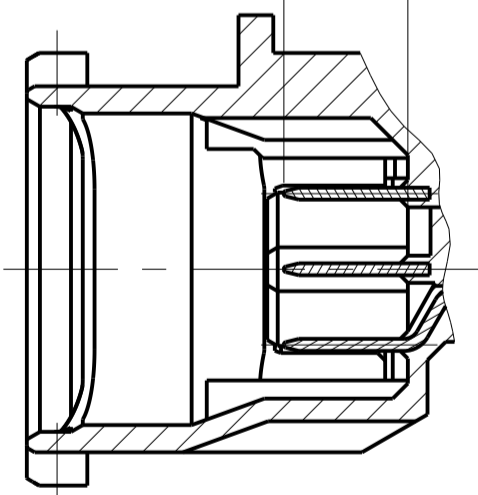
Anlieferungszustand: Zentrierplatte in Vorraststellung CONDITION OF DELIVERY: CENTERPLATE IN PRE LOCK POSITION



RECOMMENDED DESIGN OF PCB-HOLES Empfohlenes Leiterplatten-Bohrbild

Teilschnitt SECTION V-V

Teilschnitt SECTION U-U



Bemerkungen

- List of technical notes in German (Bemerkungen) starting with 1, 2, 3, 4, 5, 6, 7, 8, 9, 10, 11, 12, 13, 14, 14a. Details requirements for plating, force, and tolerances.

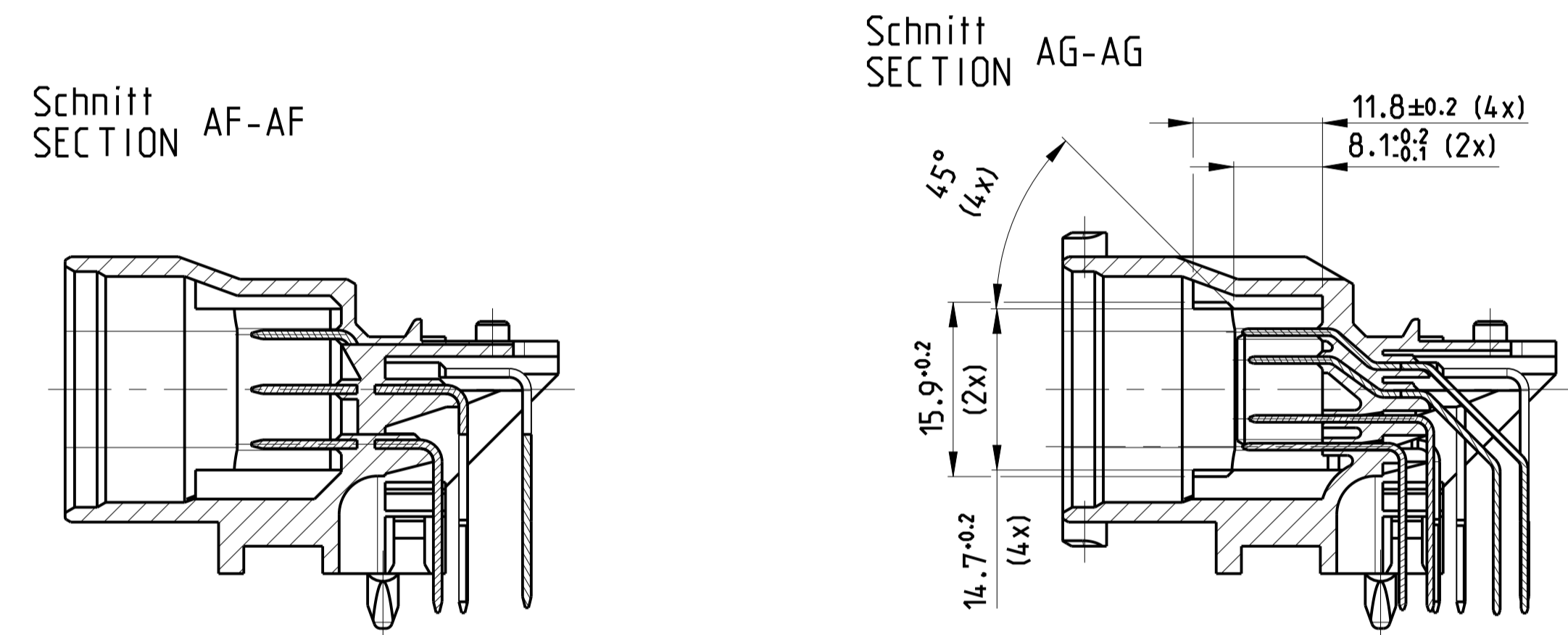
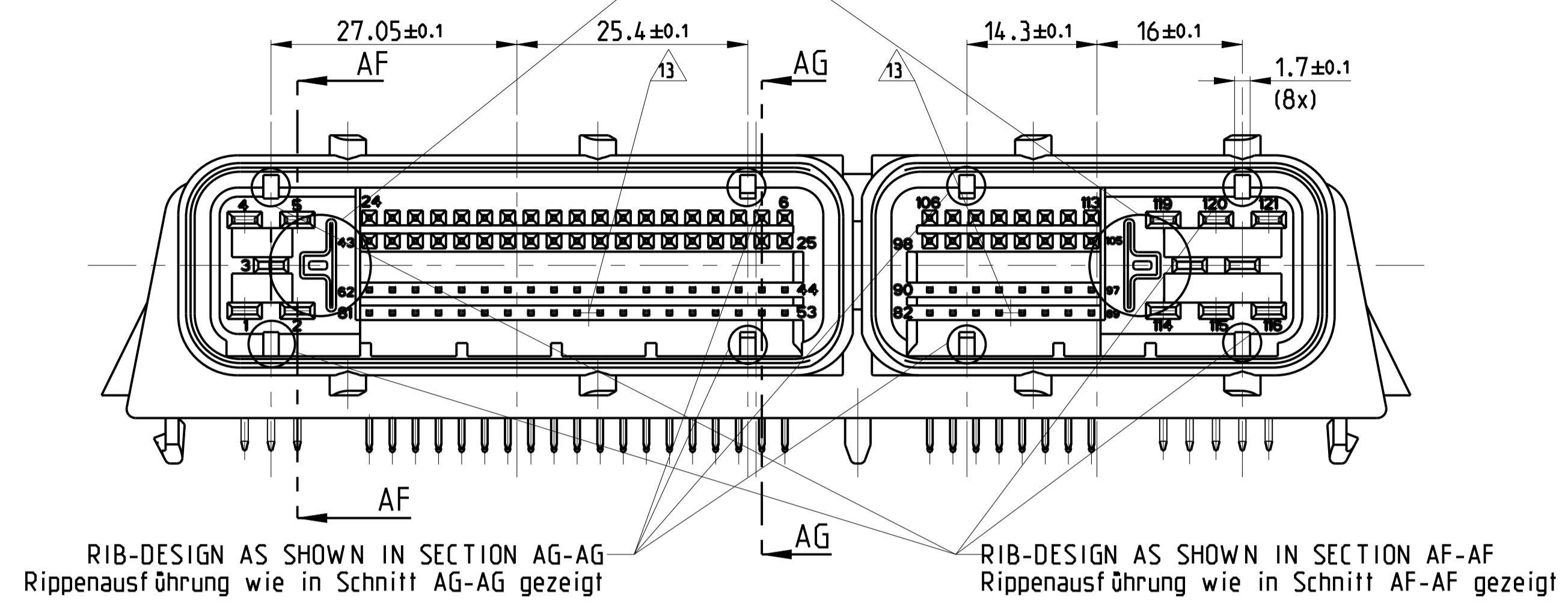
NOTES

- List of technical notes in English (NOTES) corresponding to the German notes. Details requirements for plating, force, and tolerances.

Technical specification block including: DIMENSIONS (mm), TOLERANCES UNLESS OTHERWISE SPECIFIED, MATERIAL, WEIGHT (73g), and a table with drawing no. (00779), scale (2:1), and revision (1) info. Includes the ST logo and 'TE Connectivity' branding.

REVISIONS				
P. LTR.	DESCRIPTION	DATE	DRW	APVD
-	SEE SHEET 1	-	-	-

0-1241434-1; -3 Kodierung A wie gezeichnet Darstellung ohne Zentrierplatte  
 CODING A Kodierung A  
 0-1241434-1, -3 CODING A AS SHOWN SHOWN WITHOUT CENTERPLATE



0-1241434-2. Kodierung B wie gezeichnet Darstellung ohne Zentrierplatte  
 CODING B Kodierung B  
 0-1241434-2. CODING B AS SHOWN SHOWN WITHOUT CENTERPLATE

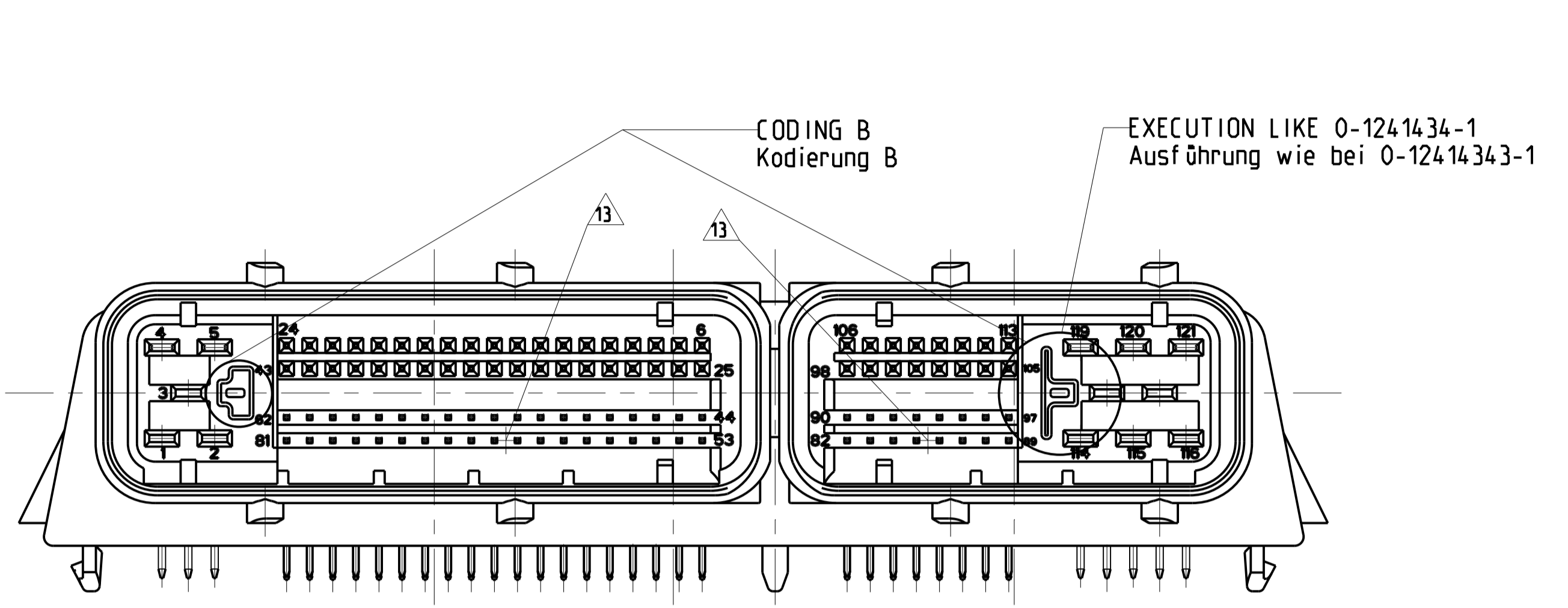


Tabelle 2 / TABLE 2

Stift-/Tab-Leiste PIN-/TAB-HEADER	Passende Buchsenstecker SUITABLE RECEPTACLE-HOUSINGS	
	40pol 40POSN. TE Teil-Nr. TE PART-NO.	81pol. 81POSN. TE Teil-Nr. TE PART-NO.
1241434-1	1355172-1	1355171-1
1241434-2	1355172-1	1355171-2
1241434-3	1355172-1	1355171-1

REVISION	C	C	C	C	C	C					
CODING/Kodierung	A	B	A	A	A	A					
	0-1241434-3	0-1241434-2	9-1241434-1	8-1241434-1	7-1241434-1	0-1241434-1					
	X	X	X	X	X	X	PIN HOUSING, Stiftwanne	1	9	BLACK Schwarz	PA66-GF 30
	X	X	X	X	X	X	TAB 2.8x0.8; LONG Flachstecker 2.8x0.8 lang	5	8	3	CuSn 6
	X	X	X	X	X	X	TAB 2.8x0.8; MIDDLE Flachstecker 2.8x0.8 mittel	3	7	3	CuSn 6
	X	X	X	X	X	X	TAB 2.8x0.8; SHORT Flachstecker 2.8x0.8 kurz	5	6	3	CuSn 6
	X						PIN 0.63; MIDDLE Stift 0.63 mittel	27	3	2	CuFe 2
	X						PIN 0.63; SHORT Stift 0.63 kurz	27	2	2	CuFe 2
	X	X	X	X	X	X	PIN 0.63; VERY LONG Stift 0.63 sehr lang	27	5	1	CuSn 6
	X	X	X	X	X	X	PIN 0.63; LONG Stift 0.63 lang	27	4	1	CuSn 6
		X	X	X	X	X	PIN 0.63; MIDDLE Stift 0.63 mittel	27	3	1	CuSn 6
		X	X	X	X	X	PIN 0.63; SHORT Stift 0.63 kurz	27	2	1	CuSn 6
	X	X	X	X	X	X	CENTERPLATE Zentrierplatte	1	1	BLACK Schwarz	PA66-GF 50
	ORDER-NO. Bestell-Nr.						SINGLE-PART DESCR. Einzelteil-Benennung	QTY. Stück	ITEM. Pos.	COLOR. Farbe	MATERIAL Material

THIS DRAWING IS A CONTROLLED DOCUMENT. DIMENSIONS: mm. TOLERANCES UNLESS OTHERWISE SPECIFIED: 0 PLC, 1 PLC, 2 PLC, 3 PLC, 4 PLC, ANGLES. MATERIAL: SEE TABLE. FINISH: -.

DRW: G.Fischer, B.Kirsch, H.Bleicher. DATE: 26-FEB-99, 19-MAR-99, 30-OCT-06. NAME: PRODUCT SPEC, APPLICATION SPEC. WEIGHT: 73 g. CUSTOMER DRAWING.

**STE** TE Connectivity  
 PIN-/TAB 2.8x0.8 HEADER, Stift-/Flachstecker 2.8x0.8 Leiste, 108+13POSN. TSMT / JPT. SIZE: A1. CAGE CODE: 00779. DRAWING NO: 1241434. SCALE: 2:1. SHEET: 2 OF 2. REV: C14.