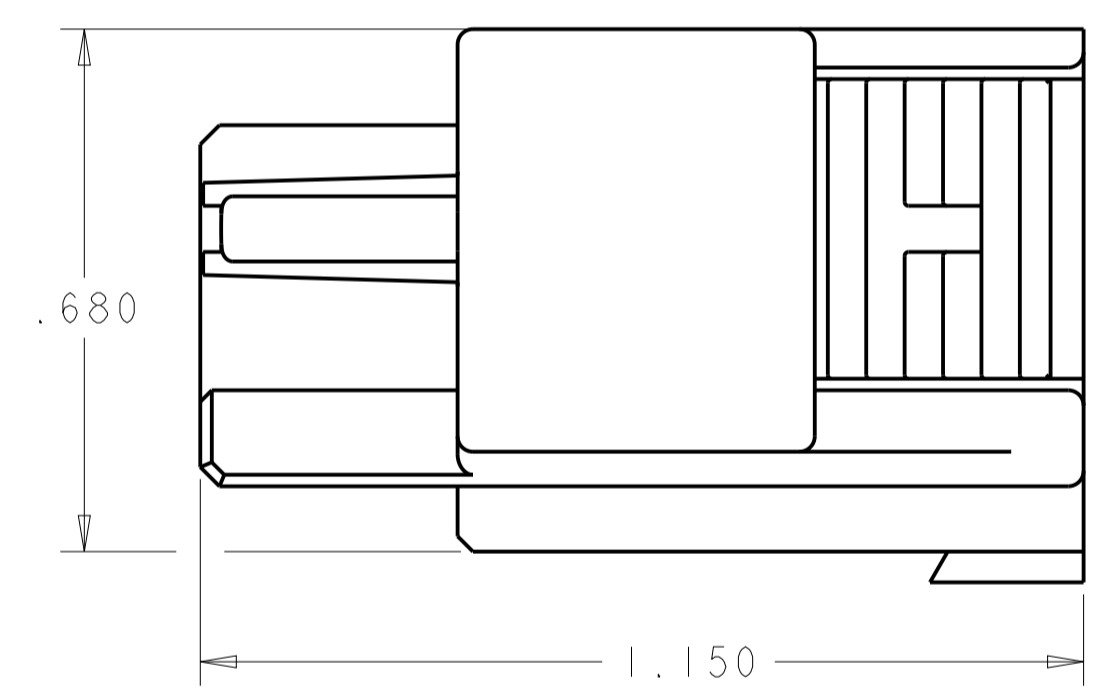
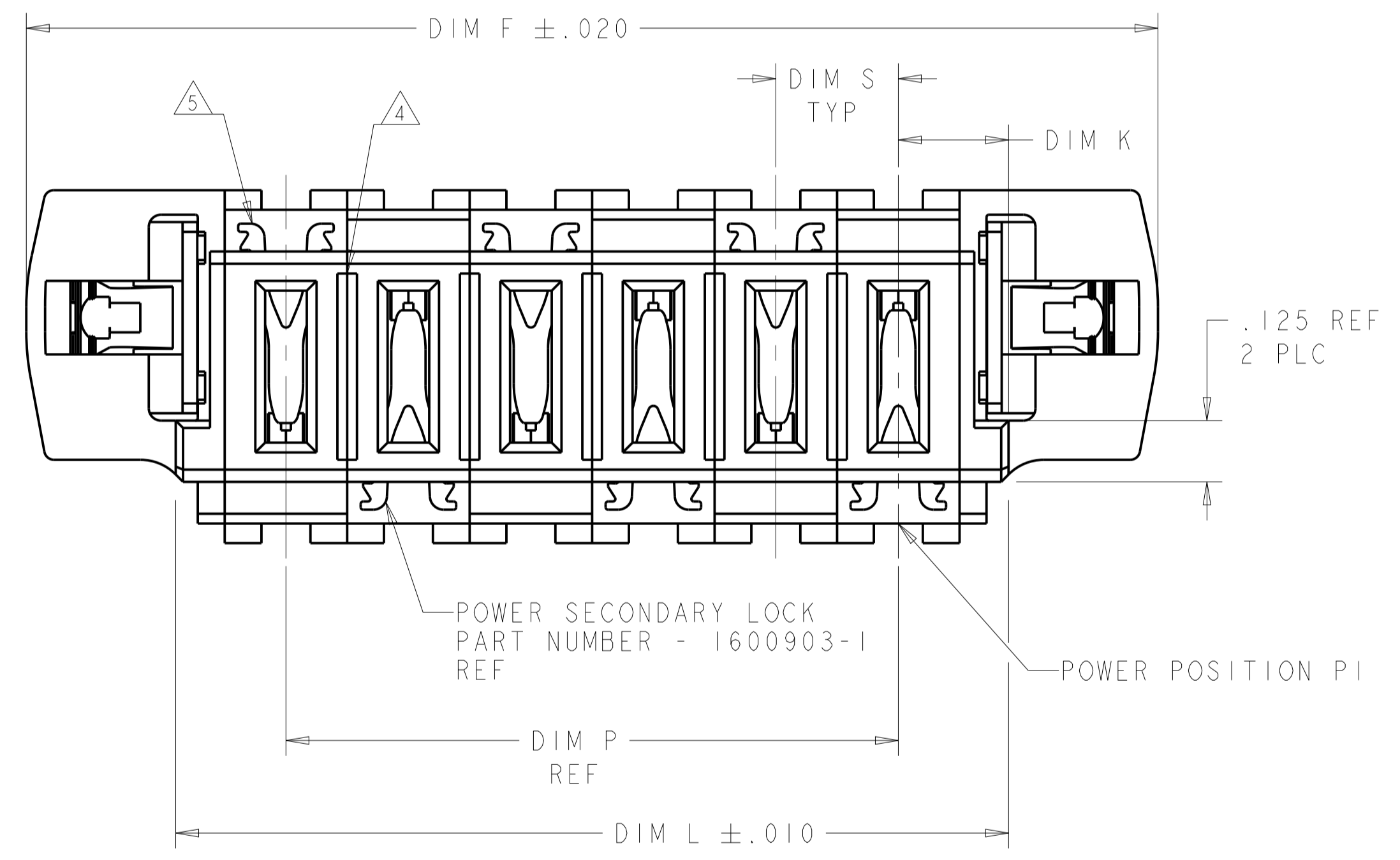
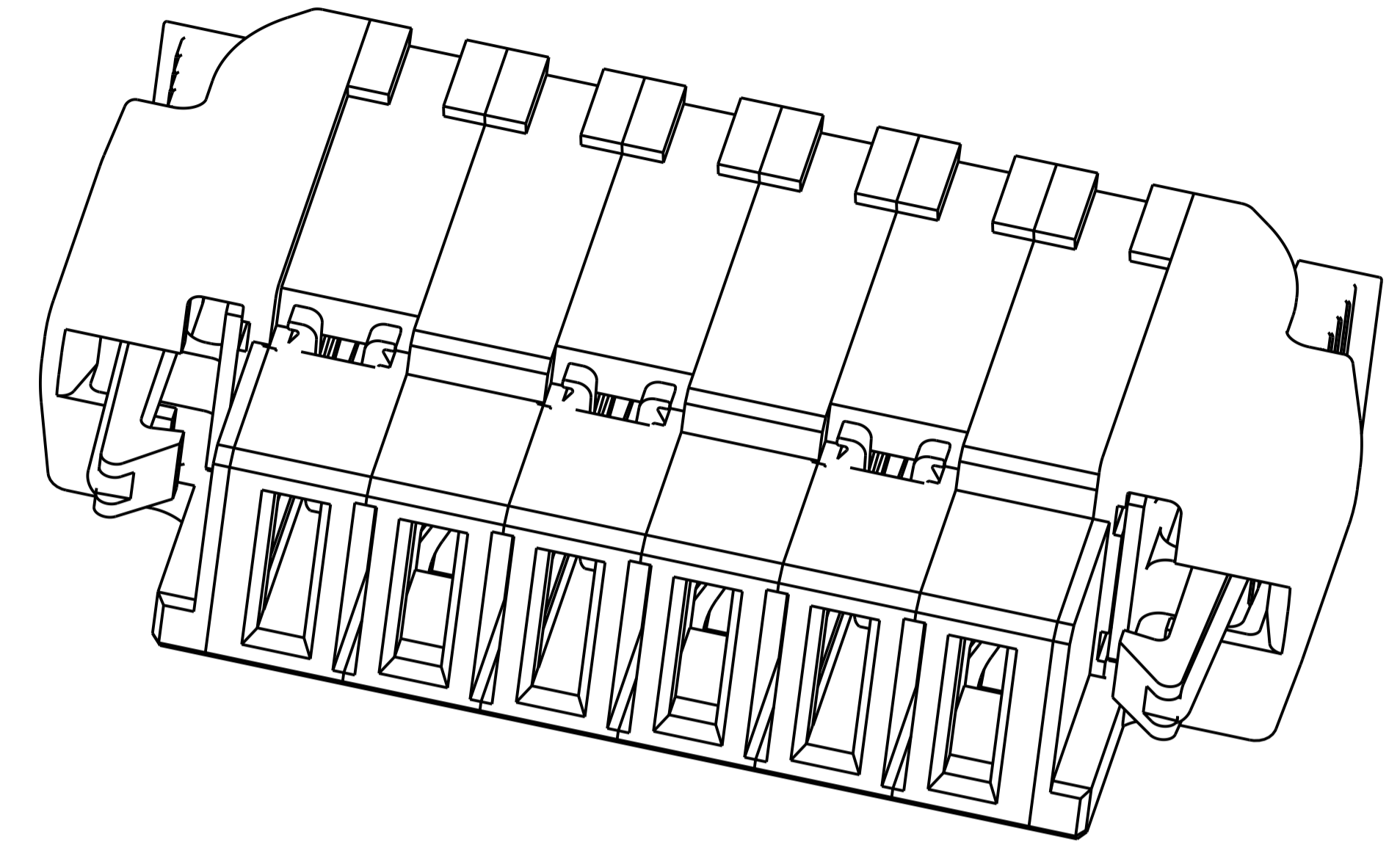
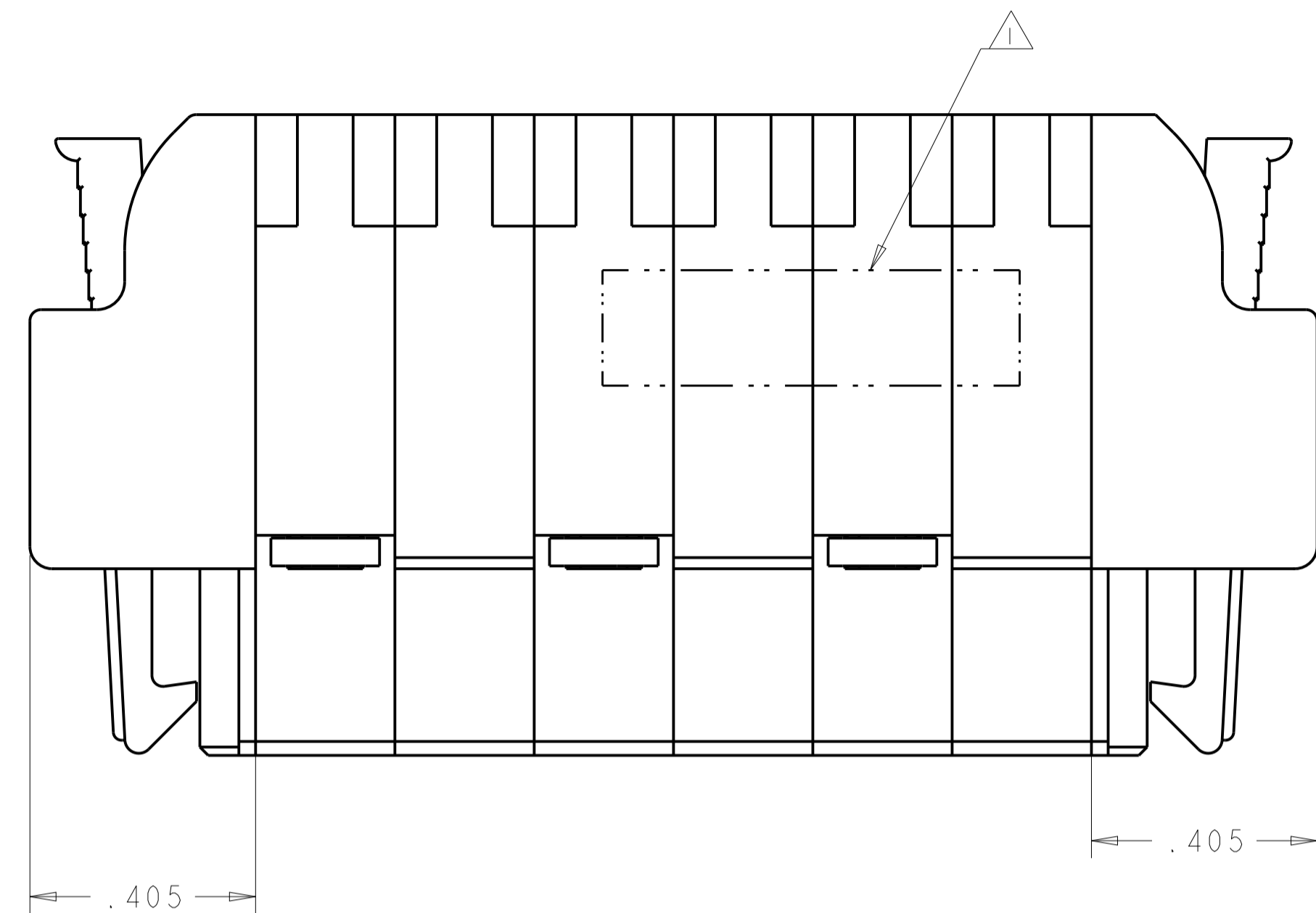


LOC		DIST		REVISIONS			
ES	00	P	LTH	DESCRIPTION	DATE	DWN	APVD
E5				REVISED	23DEC2011	ML	SZ
E6				REV PER ECR-12-019527	09NOV2012	AY	SZ
E8				ADD NEW DASH NUMBER 2-1	04JUN2014	CZ	SZ



	DIM P	DIM S	DIM L	DIM K	DIM F	DESCRIPTION	PART NUMBER
E8	.500	.250	.950	.225	1.560	3P	2-1600798-1
	.300	.300	.850	.275	1.460	2ACP	2-1600798-0
	.600	.300	1.050	.225	1.660	3ACP	1-1600798-9
	1.050	.350	1.500	.225	2.110	4P	1-1600798-8
	.750	.375	1.200	.225	1.810	3P	1-1600798-7
	.750	.250	1.200	.225	1.810	4P	1-1600798-5
	1.500	.300	2.050	.275	2.660	6ACP	1-1600798-4
	.900	.300	1.450	.275	2.060	4ACP	1-1600798-3
	.700	.350	1.150	.225	1.760	3P	1-1600798-2
	.250	.250	.700	.225	1.310	2P	1-1600798-1
	1.800	.300	2.350	.275	2.960	7ACP	1-1600798-0
	.600	.300	1.150	.275	1.760	3ACP	1600798-8
4	.300	.300	.850	.275	1.460	2ACP	1600798-7
	1.750	.250	2.200	.225	2.810	8P	1600798-6
3	.600	.300	1.150	.275	1.760	3ACP	1600798-5
	.750	.250	1.200	.225	1.810	4P	1600798-4
	.500	.250	.950	.225	1.560	3P	1600798-3
	.300	.300	.850	.275	1.460	2ACP	1600798-2
	1.250	.250	1.700	.225	2.310	6P	1600798-1

- △ COMPANY TRADEMARK, PART NUMBER, AND DATE CODE TO BE MARKED IN APPROXIMATE AREA SHOWN. PARTS UNDER 2.00 LONG MAY BE MARKED ON BOTH SIDES.
- △ THERMO PLASTIC, UL94 V-0
- △ NOT RELEASE FOR PRODUCTION
- △ W/O THE NARROW OPEN IS FOR 1600798-7 ONLY NOW.
- △ SECONDARY LOCK (1600903) WILL BE INSERTED AFTER CABLE WIRE ASSEMBLED

THIS DRAWING IS A CONTROLLED DOCUMENT. DIMENSIONS: INCHES. TOLERANCES UNLESS OTHERWISE SPECIFIED: 0 PLC ±.01, 1 PLC ±.01, 2 PLC ±.01, 3 PLC ±.005, 4 PLC ±.0020. MATERIAL: THERMO PLASTIC. FINISH: .

DWN: R. GRZYBOWSKI, CHK: P. DAMATO, APVD: P. DAMATO. PRODUCT SPEC: 108-2157, APPLICATION SPEC: 114-13112, WEIGHT: .

NAME: SQUEEZE TO RELEASE CABLE RECEPTACLE HOUSING ASSY, WITH KEY, MULTI-BEAM XLE. SIZE: A100779, CAGE CODE: 1600798, DRAWING NO: 108-2157, APPLICATION SPEC: 114-13112, WEIGHT: .

SCALE: 4:1, SHEET: 1 OF 3, REV: E8

PART NUMBER	ROWS	POWER					
		P6	P5	P4	P3	P2	P1
1600798-1	D C B A	RM	RM	RM	RM	RM	RM
6P							

PART NUMBER	ROWS	POWER	
		P2	P1
1600798-7	D C B A	RM	RM
2ACP			

PART NUMBER	ROWS	POWER		
		P3	P2	P1
1-1600798-2	D C B A	RM	RA	RM
3P				

PART NUMBER	ROWS	POWER	
		P2	P1
1600798-2	D C B A	RM	RM
2ACP			

PART NUMBER	ROWS	POWER		
		P3	P2	P1
1600798-8	D C B A	RA	RM	RM
3ACP				

PART NUMBER	ROWS	POWER			
		P4	P3	P2	P1
1-1600798-3	D C B A	RM	RM	RM	RM
4ACP					

PART NUMBER	ROWS	POWER		
		P3	P2	P1
1600798-3	D C B A	RM	RM	RM
3P				

PART NUMBER	ROWS	POWER						
		P7	P6	P5	P4	P3	P2	P1
1-1600798-0	D C B A	RM	RM	RM	RA	RM	RM	RM
7ACP								

PART NUMBER	ROWS	POWER					
		P6	P5	P4	P3	P2	P1
1-1600798-4	D C B A	RM	RM	RM	RM	RM	RM
6ACP							

PART NUMBER	ROWS	POWER			
		P4	P3	P2	P1
1600798-4	D C B A	RM	RM	RM	RM
4P					

PART NUMBER	ROWS	POWER	
		P2	P1
1-1600798-1	D C B A	RM	RM
2P			

PART NUMBER	ROWS	POWER			
		P4	P3	P2	P1
1-1600798-5	D C B A	RM	RM	RA	RA
4P					

PART NUMBER	ROWS	POWER		
		P3	P2	P1
1600798-5	D C B A	RM	RM	RM
3ACP				

PART NUMBER	ROWS	POWER		
		P3	P2	P1
1-1600798-7	D C B A	RM	RM	RM
3P				

PART NUMBER	ROWS	POWER							
		P8	P7	P6	P5	P4	P3	P2	P1
1600798-6	D C B A	RM	RM	RM	RM	RM	RM	RM	RM
8P									

REFERENCE WIRE CHART AND CONTACTS		
HOUSING MODULE	CONTACT	INSULATION DIAMETER RANGE
.300 POWER	8 - 10 1600960 REF	[.176 - .272]
.250 POWER	8 - 10 1600960 REF	[.176 - .203]
	12 - 14 1600961 REF	[.156 - .176]
.200 POWER	12 - 14 1600961 REF	[.120 - .156]
.100 SIGNAL	22 - 26 5531216-3 REF	[.036 - .069]

RM	STANDARD POWER
RA	MFBL POWER
E	SIGNAL CONTACT
CODE	DESCRIPTION
CONTACT TABLE	

THIS DRAWING IS A CONTROLLED DOCUMENT.		OWN: B. GRZYBOWSKI	OTMAROS
DIMENSIONS: INCHES		CHK: P. DAMATO	OTMAROS
TOLERANCES UNLESS OTHERWISE SPECIFIED:		APV: P. DAMATO	
0 PLC	±	NAME: SQUEEZE TO RELEASE CABLE RECEPTACLE HOUSING ASSY, WITH KEY, MULTI-BEAM XLE	
1 PLC	±.01	PRODUCT SPEC: 108-2157	
2 PLC	±.005	APPLICATION SPEC: 114-13112	
3 PLC	±.0020	SIZE: 114-13112	
4 PLC	±.0020	WEIGHT: -	
ANGLES	±.0020	CAGE CODE: -	
FINISH	±.0020	DRAWING NO: A100779	
MATERIAL:		CUSTOMER DRAWING	
SCALE: 2:1		SHEET 2 OF 3	
REV: E8			

LOC	DIST	REVISIONS					
		P	LTN	DESCRIPTION	DATE	DWN	APVD
ES	00	-	-	SEE SHEET 1	-	-	-


PART NUMBER	ROWS	POWER			
		P4	P3	P2	P1
1-1600798-8	D C B A	RM	RM	RM	RM
4P					

E3

PART NUMBER	ROWS	POWER		
		P3	P2	P1
1-1600798-9	D C B A	RM	RA	RM
3 ACP				

PART NUMBER	ROWS	POWER	
		P2	P1
2-1600798-0	D C B A	RA	RM
2ACP			

PART NUMBER	ROWS	POWER		
		P3	P2	P1
2-1600798-1	D C B A	RM	RA	RM
3P				

THIS DRAWING IS A CONTROLLED DOCUMENT.		DWN R. GRZYBOWSKI CHK P. DAMATO	OTMAROS OTMAROS	 TE Connectivity
DIMENSIONS: INCHES		APVD P. DAMATO		
TOLERANCES UNLESS OTHERWISE SPECIFIED: 0 PLC ±. 1 PLC ±.01 2 PLC ±.01 3 PLC ±.005 4 PLC ±.0020 ANGLES ±.2°		NAME SQUEEZE TO RELEASE CABLE RECEPTACLE HOUSING ASSY, WITH KEY, MULTI-BEAM XLE		
MATERIAL		PRODUCT SPEC 108-2157		RESTRICTED TO
FINISH		APPLICATION SPEC 114-13112		SIZE A100779C=1600798
		WEIGHT		CAGE CODE 1600798
		CUSTOMER DRAWING		SCALE 4:1
				SHEET 3 OF 3
				REV E8