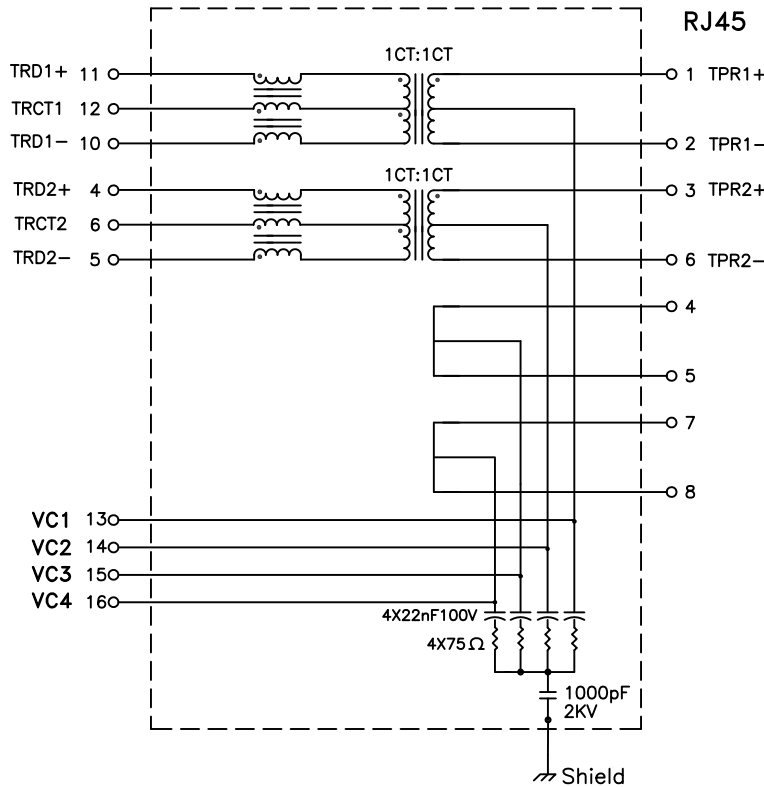


# 1.Schematic:



## 2.Electrical Specifications: @25°C

Isolation Voltage: 2250 VDC (Pri to Sec)

TURNS RATIO: (Pri/Sec) 1:1CT ±2%

Insertion Loss: @0.1MHz-1MHz -1.1dB Max  
 @1MHz-65MHz -0.80dB Max  
 @65MHz-100MHz -1.2dB Max

Return Loss: @0.5MHz-40MHz -18dB Typ  
 @40MHz-100MHz -12+20Log(f/80MHz)dB

Common Mode Rejection: @0.1MHz-100MHz -30dB Min

Differential to Common Mode Rejection: @0.1MHz-100MHz -35dB Min

Q: 5 Min @100KHz 0.1V

OCL: 350uH Minimum @100KHz 100mV 11mADC

Balanced DC Line Current: 720mA Max @57Vdc continuous

1.20mA Max @57Vdc for 200milliseconds

**Notes:**

1. Solderability: Leads shall meet MIL-STD-202G, Method 208H for solderability.
2. Flammability: UL94V-0
3. ASTM oxygen index: > 28%
4. UL Recognized Component: File Number E165866
5. Operating Temperature Range: All listed parameters are to be within tolerance from -40°C to +85°C
6. Storage Temperature Range: -55°C to +125°C
7. Aqueous wash compatible
8. Electrical and mechanical specifications 100% tested
9. RoHS Compliant Component

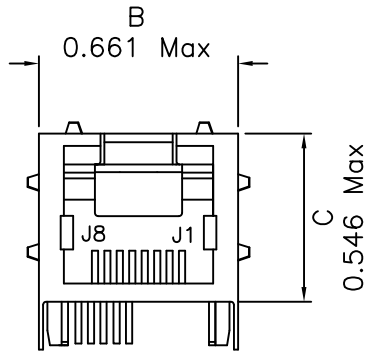
DOC. REV: A/2

**PROPRIETARY:**

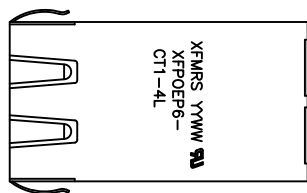
Document is the property of XFMRs Group & is not allowed to be duplicated without authorization.

<b>XFMRs Inc</b> www.XFMRs.com		Title: SINGLE PORT COMBO W/O LEDs 10/100 POE+	
UNLESS OTHERWISE SPECIFIED		P/N: XFPOEP6-CT1-4L   REV. A	
TOLERANCES: .xxx ±0.010		DWN.	Yuan   Dec-16-14
Dimensions in Inch		CHK.	YK Liao   Dec-16-14
SHEET 1 OF 2		APP.	BW   Dec-16-14

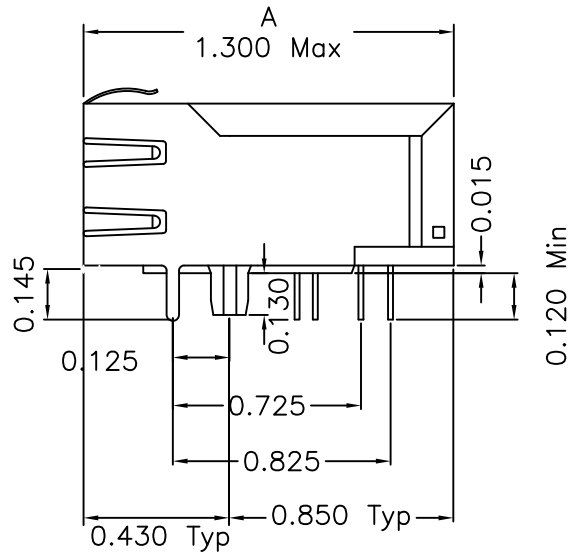
### 3. Mechanical Dimensions:



(FRONT VIEW)

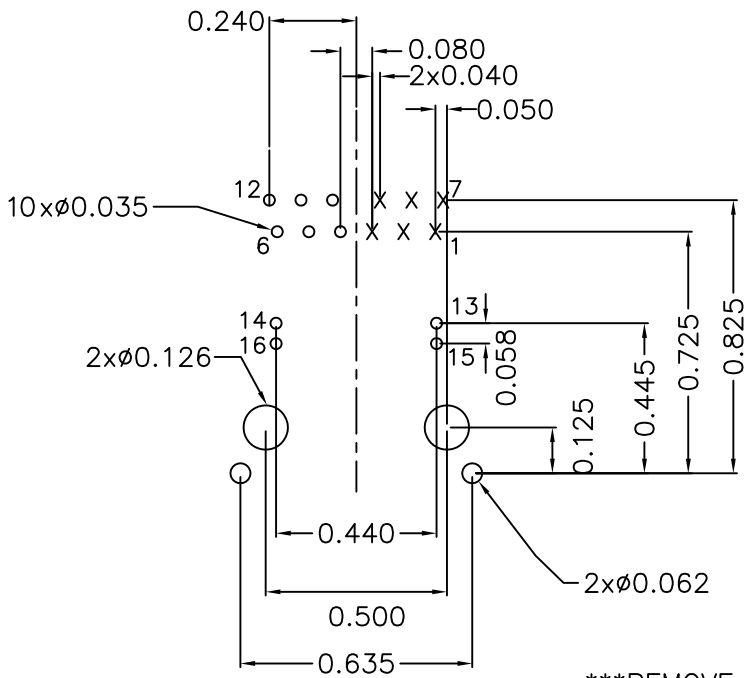


(TOP VIEW)



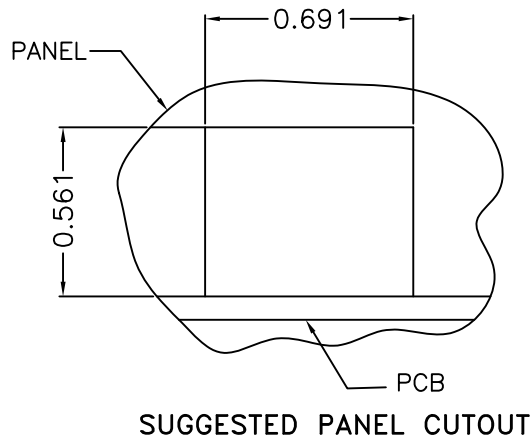
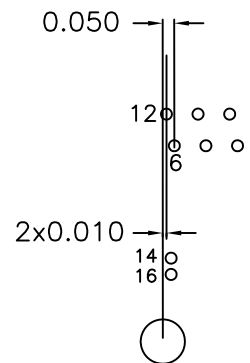
(SIDE VIEW)

#### Mounting Pattern:



\*\*\*REMOVE PIN1+2+3+7+8+9

#### Mounting Pattern:



SUGGESTED PANEL CUTOUT

DOC REV: A/2

**XFMRS Inc**  
www.XFMRS.com

Title: Mechanical Dimensions  
For "1.30" TAB UP RJ45 COMBO

UNLESS OTHERWISE SPECIFIED  
TOLERANCES:  
.xxx ±0.010  
Dimensions in Inch

P/N: XFOEP6-CT1-4L	REV. A
DWN. Yuan	Dec-16-14
CHK. YK Liao	Dec-16-14
APP. BW	Dec-16-14

SHEET 2 OF 2

**PROPRIETARY:**

Document is the property of XFMRS Group & is not allowed to be duplicated without authorization.