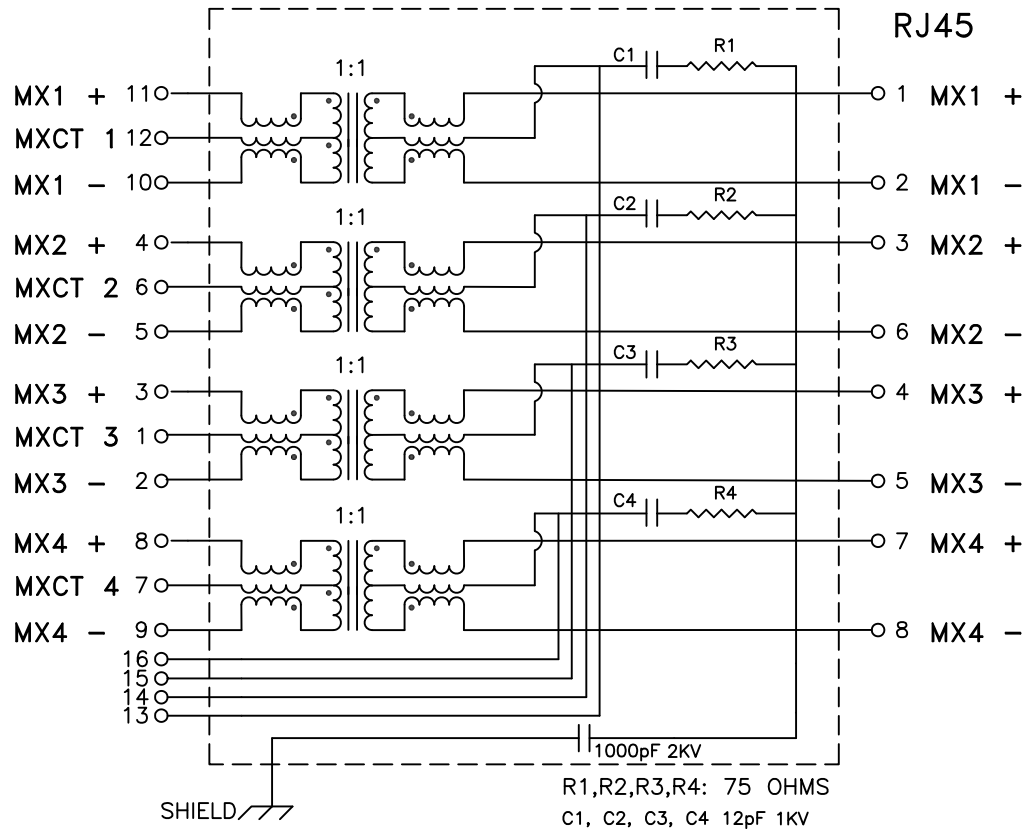


Schematic:



Electrical Specifications: @25°C

ISOLATION: 1500 Vrms

TURNS RATIO: (PRI/SEC) 1:1CT ±2%

OCL: 350uH MIN @100KHz 100mV 8mADC

DCR: P5-J7 and P5-J8 mismatch, 3% Max

DCR: P6-J4 and P6-J5 mismatch, 3% Max

Rise Time: 1.75ns Max.

INSERTION LOSS: -1.0dB MAX @1MHz-100MHz

RETURN LOSS:

-18dB Min @1-30MHz -18dB Min @30-40MHz

-13dB Min @40-50MHz -10dB Min @50-100MHz

Common Mode Rejection:

-43dB Min @1-30MHz -37dB Min @30-60MHz

-33dB Typ @60-125MHz

Crosstalk: -45dB Min @0.3-30MHz

-43dB Min @30-60MHz -42dB Typ @60-100MHz

Balanced DC Line Current: 600mA Max @57Vdc continuous Pins 13,14,15,16

750mA Max @57Vdc for 200milliseconds Pins 13,14,15,16

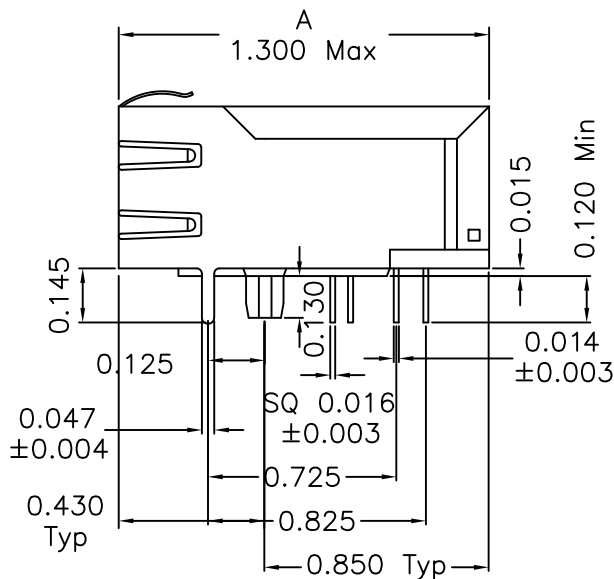
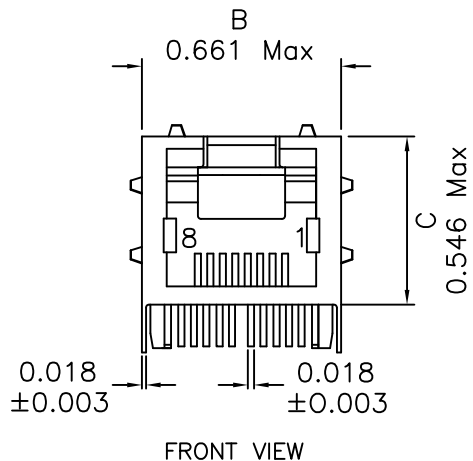
Notes:

1. Solderability: Leads shall meet MIL-STD-202G, Method 208H for solderability.
2. Flammability: UL94V-0
3. ASTM oxygen index: > 28%
4. UL Recognized Component: File Number E165866
5. Operating Temperature Range: All listed parameters are to be within tolerance from -40°C to +85°C
6. Storage Temperature Range: -55°C to +125°C
7. Aqueous wash compatible
8. Electrical and mechanical specifications 100% tested
9. RoHS Compliant Component

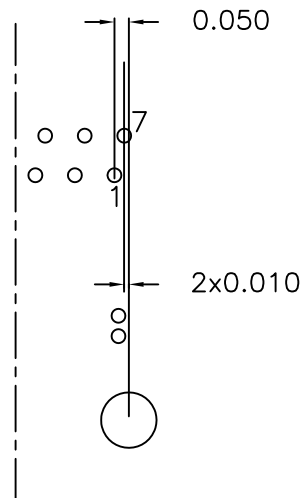
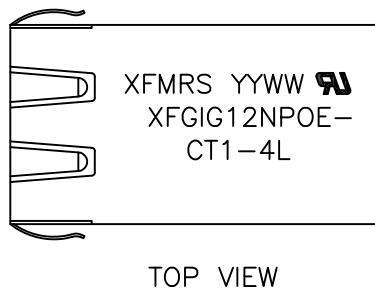
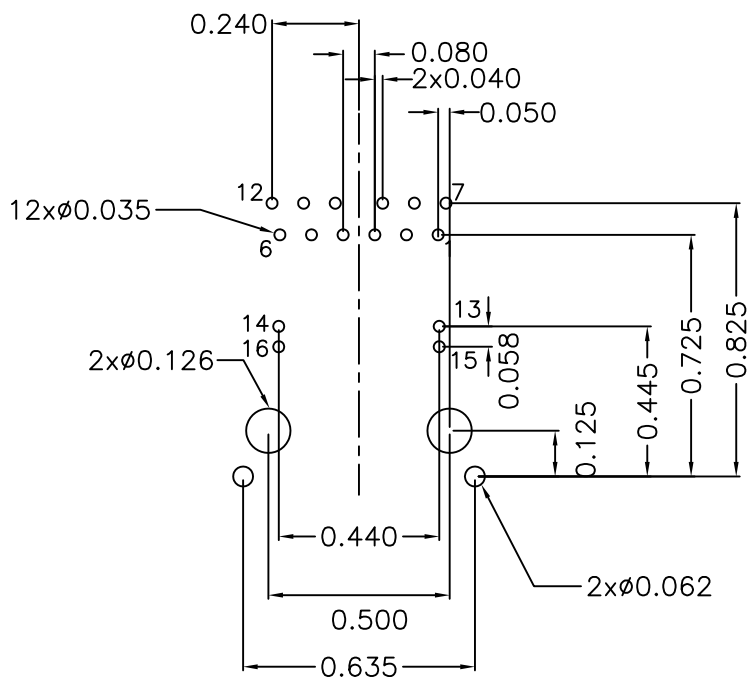
DOC. REV: A/1

XFMRs Inc.	Title: SINGLE PORT COMBO Tab UP GigE POE+ COMBO		
	UNLESS OTHERWISE SPECIFIED TOLERANCES: .xxx ±0.010	P/N: XFGIG12NPOE-CT1-4L	REV. A
	Dimensions in Inch	DWN. 刘鹏	Sep-14-12
	SHEET 1 OF 2	CHK. 李小锋	Sep-14-12
	APP. BSJ	Sep-14-12	

Mechanical Dimensions:



Mounting Pattern:



DOC. REV: A/1

XFMRS Inc
www.XFMRS.com

Title: Mechanical Dimensions
For TAB UP GigE POE+ COMBO

UNLESS OTHERWISE SPECIFIED
TOLERANCES:

P/N: XFGIG12NPOE-CT1-4L

REV. A

.xxx ±0.010
Dimensions in Inch

DWN.

Feng

Sep-14-12

CHK.

YK Liao

Sep-14-12

SHEET 2 OF 2

APP.

BSJ

Sep-14-12

PROPRIETARY:

Document is the property of XFMRS Group & is not allowed to be duplicated without authorization.