



VD-7089A

INTEGRATED CPE SIDE HYBRID FILTER P/N: VD-7089A DATA SHEET

Feature

- Operating Temperature: -10°C to +60°C.
- Storage Temperature: -25°C to +75°C.



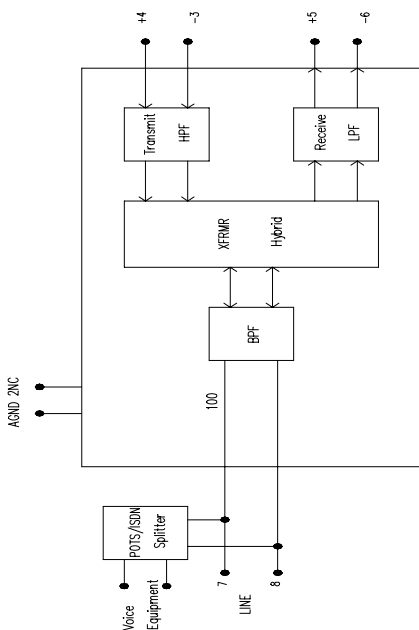
Electrical Specifications @ 25°C

Part Number	Description	Pass band Insertion loss (dB Max)		Stop band Insertion loss (dB Min)	Impedance (Ω)
		4.5M~7.8 MHz	4.1M~4.5 MHz	900K~ 3.3 MHz	
VD-7089A	Transmit HPF TO LINE	-5	-5.5	-15	40

Additional Specifications

Part Number	Description	Pass band Insertion loss (dB Max)		Stop band Insertion loss (dB Min)			Impedance (Ω)
		0.9 ~ 3 MHz	3 ~ 3.3 MHz	4.5 ~ 7.8MHz	20 ~ 150KHz	150 ~ 250KHz	
VD-7089A	Receive LPF TO LINE	-4	-5	-50	-60	-50	270

Schematic



Mechanical

