

S9684 series S11282-01DS

High-sensitivity and high-speed photo IC for high precision printing

The S9684 series and S11282-01DS photo IC use a dual-element Si PIN photodiode and compare the two signals to obtain a highly stable output even when laser power or ambient temperature fluctuates. The current amplifier is available with two gain levels (6 times and 20 times) according to laser power to be used. The S11282-01DS operates at a low voltage (3.3 V) compatible with low-voltage peripheral components. HAMAMATSU also provides single-element Si PIN photodiode types (S10317 series).

Features

- **Photo IC for precision printing**
- **High sensitivity**
Current amplifier gain: 20 times (S9684, S11282-01DS)
6 times (S9684-01)
- **Digital output**
- **Small package**
- **Suitable for lead-free solder reflow**
- **Photosensitive area (PD1: 2.5 × 0.3 mm, PD2: 2.5 × 0.5 mm)**
- **Low voltage (3.3 V) operation (S11282-01DS)**

Applications

- **Print start timing detection for laser printers, digital copiers, fax machines, etc.**

Absolute maximum ratings

Parameter	Symbol	Condition	Value	Unit
Supply voltage	V _{cc}	T _a =25 °C	-0.5 to +7	V
Power dissipation*1	P	T _a =25 °C	300	mW
Output voltage*2	V _o	T _a =25 °C	-0.5 to +7	V
Output current	I _o	T _a =25 °C	5	mA
Ro1, Ro2 terminal current	I _{RO}	T _a =25 °C	3	mA
Operating temperature	T _{opr}	No condensation	-25 to +80	°C
Storage temperature	T _{stg}	No condensation	-40 to +85	°C
Reflow soldering conditions*3	T _{sol}		Peak temperature 240 °C max., 1 time	-

*1: Power dissipation decreases at a rate of 4 mW/°C above T_a=25 °C

*2: V_{cc}=+0.5 V or less

*3: JEDEC level 5a

Note: Exceeding the absolute maximum ratings even momentarily may cause a drop in product quality. Always be sure to use the product within the absolute maximum ratings.

Electrical and optical characteristics

[Ta=25 °C, λ=780 nm, Vcc=5 V (S9684 series)/3.3 V (S11282-01DS), Ro1=Ro2=5.1 kΩ, light incident angle=normal line direction ±0°, unless otherwise noted]

Parameter	Symbol	Condition	Min.	Typ.	Max.	Unit
Current consumption	S9684 series	No input	-	-	4	mA
	S11282-01DS		-	-	3.2	
High level output voltage	S9684 series	IOH=4 mA	4.6	-	-	V
	S11282-01DS		2.9	-	-	
Low level output voltage	VoL	IOL=4 mA, *4	-	-	0.3	V
Threshold input power	S9684	PTH	7.5	10	12.5	μW
	S9684-01		26	35	44	
	S11282-01DS		10.5	14.5	18.5	
Propagation delay time variation	ΔtP	ΔPI= ±10%, *5 *6	-	-	±5	ns
Rise time	tr		-	4	7	ns
Fall time	tf		-	4	7	ns
Maximum input power	PI max.		-	-	PTH × 8	μW

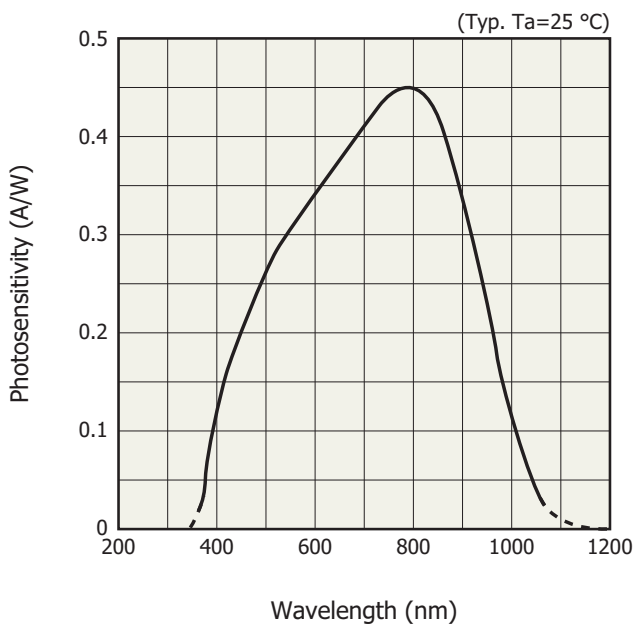
*4: Input power PI=45 μW (S9684), 140 μW (S9684-01), 43.5 μW (S11282-01DS)

*5: Beam diameter (1/e²)=55 μm, scan speed=1.18 mm/μs

Not including jitter caused by polygon mirror nonuniformity, etc.

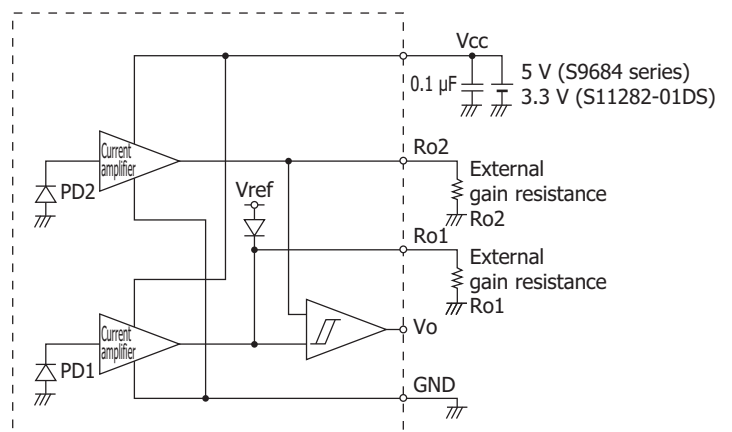
*6: PI=45 μW center (S9684), 140 μW center (S9684-01), 43.5 μW center (S11282-01DS)

Spectral response



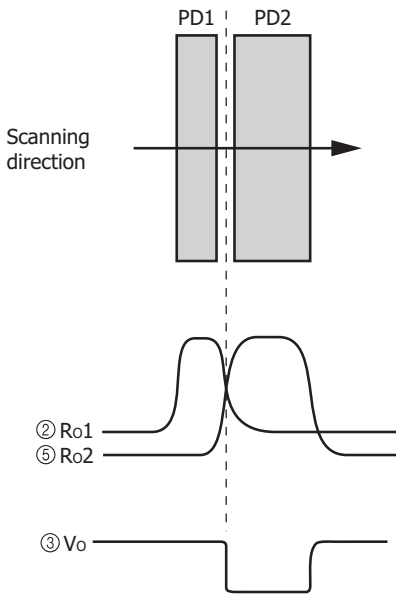
KPICB0167EA

Block diagram



KPICC0108EB

Output waveforms of terminals 2, 3 and 5



KPIC00131EA

Function

These products integrate a photodiode chip and an IC chip into the same package. The photodiode chip is internally connected to the IC chip as shown in the block diagram. The products should be used with terminals Ro1 and Ro2 connected to an external gain resistance.

Two photocurrents are generated when a laser beam enters the dual-element photodiode. Each photocurrent is fed to the input terminal of the IC and, after being amplified by the current amplifier, flows to the external gain resistance. At this time, voltages VRO1 and VRO2 at terminals Ro1 and Ro2 are given by the following expression.

$$V_{RO1} (V_{RO2}) = A \times S \times P_i \times R_{o1} (R_{o2}) [V]$$

A: Current amplifier gain (S9684, S11282-01DS: 20 times, S9684-01: 6 times)

S: Photodiode sensitivity [A/W] (approx. 0.45 A/W at 780 nm)

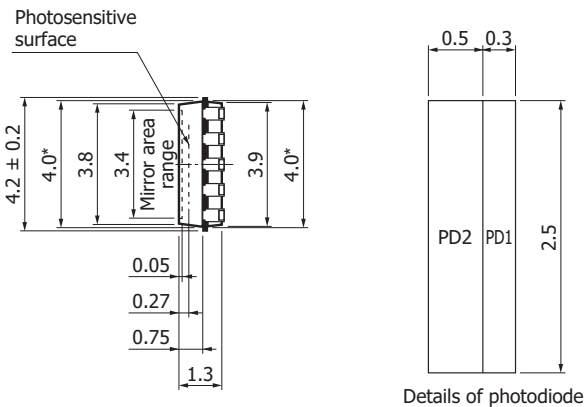
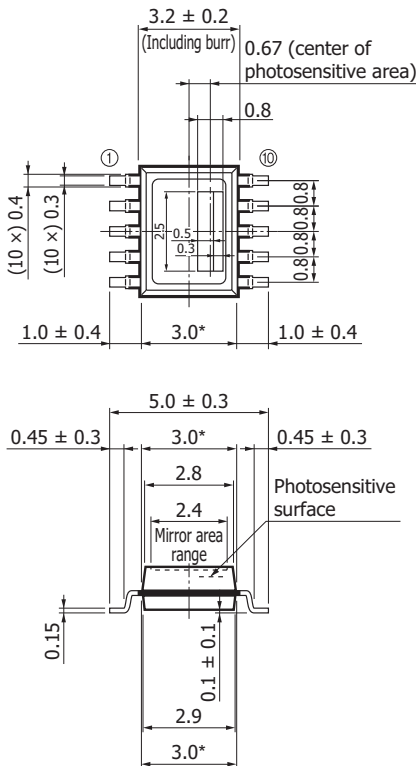
P_i: Input power [W]

R_{o1}, R_{o2}: External gain resistance [Ω]; usable range 2 kΩ to 10 kΩ

VRO1 and VRO2 are input to the internal comparator so the output Vo is "high" when VRO1 > VRO2 or "low" when VRO1 < VRO2.

Note that VRO1 and VRO2 should not exceed 8 times of the voltage calculated from the threshold light level.

Dimensional outline (unit: mm)



Tolerance unless otherwise noted: ±0.1, ±2°

Shaded area indicates burr.

Chip position accuracy with respect to package dimensions marked *

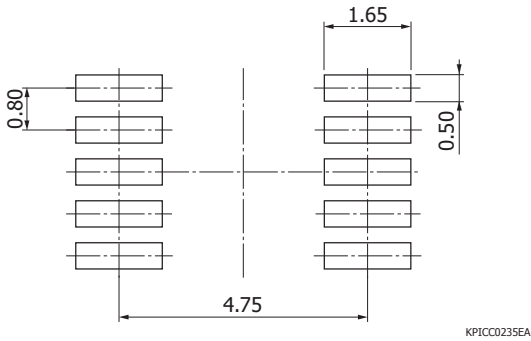
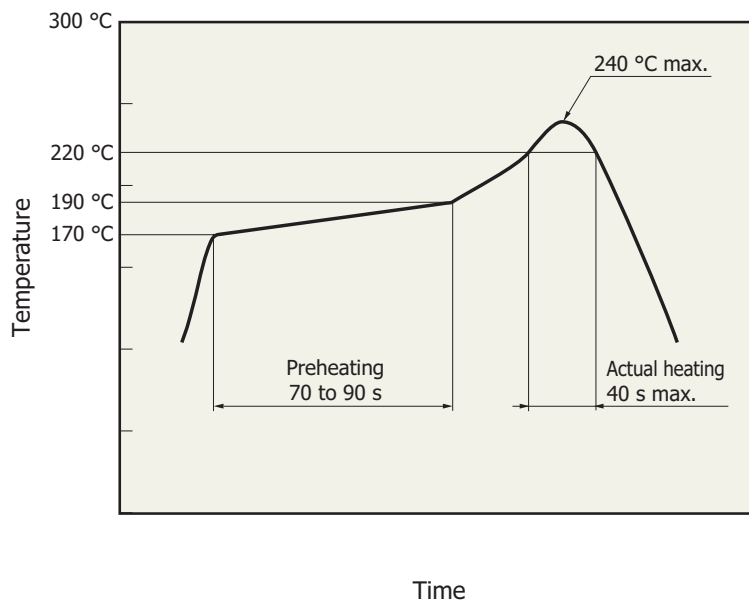
X, Y ≤ ±0.2, 0 ≤ ±2°

Packing: stick (100 pcs/stick)

Tape-and-reel shipment is available (S9684-30/-31).

- ① Vcc ⑥ GND
- ② Ro1 ⑦ GND
- ③ OUT ⑧ GND
- ④ GND ⑨ GND
- ⑤ Ro2 ⑩ GND

KPIC00056ED

Recommended land pattern (unit: mm)**Measured example of temperature profile with hot-air reflow oven for product testing**

- This product supports lead-free soldering. After unpacking, store it in an environment at a temperature of 30 °C or less and a humidity of 60% or less, and perform soldering within 24 hours.
- The effect that the product receives during reflow soldering varies depending on the circuit board and reflow oven that are used. Before actual reflow soldering, check for any problems by testing out the reflow soldering methods in advance.

Related information

www.hamamatsu.com/sp/ssd/doc_en.html

■ Precautions

- Notice
- Surface mount type products / Precautions

Information described in this material is current as of February, 2014.

Product specifications are subject to change without prior notice due to improvements or other reasons. This document has been carefully prepared and the information contained is believed to be accurate. In rare cases, however, there may be inaccuracies such as text errors. Before using these products, always contact us for the delivery specification sheet to check the latest specifications.

The product warranty is valid for one year after delivery and is limited to product repair or replacement for defects discovered and reported to us within that one year period. However, even if within the warranty period we accept absolutely no liability for any loss caused by natural disasters or improper product use.

Copying or reprinting the contents described in this material in whole or in part is prohibited without our prior permission.

HAMAMATSU

www.hamamatsu.com

HAMAMATSU PHOTONICS K.K., Solid State Division

1126-1 Ichino-cho, Higashi-ku, Hamamatsu City, 435-8558 Japan, Telephone: (81) 53-434-3311, Fax: (81) 53-434-5184

U.S.A.: Hamamatsu Corporation: 360 Foothill Road, P.O.Box 6910, Bridgewater, N.J. 08807-0910, U.S.A., Telephone: (1) 908-231-0960, Fax: (1) 908-231-1218

Germany: Hamamatsu Photonics Deutschland GmbH: Arzbergerstr. 10, D-82211 Herrsching am Ammersee, Germany, Telephone: (49) 8152-375-0, Fax: (49) 8152-265-8

France: Hamamatsu Photonics France S.A.R.L.: 19, Rue du Saule Trapu, Parc du Moulin de Massy, 91882 Massy Cedex, France, Telephone: 33-(1) 69 53 71 00, Fax: 33-(1) 69 53 71 10

United Kingdom: Hamamatsu Photonics UK Limited: 2 Howard Court, 10 Tewin Road, Welwyn Garden City, Hertfordshire AL7 1BW, United Kingdom, Telephone: (44) 1707-294888, Fax: (44) 1707-325777

North Europe: Hamamatsu Photonics Norden AB: Thorshamnsgatan 35 16440 Kista, Sweden, Telephone: (46) 8-509-031-00, Fax: (46) 8-509-031-01

Italy: Hamamatsu Photonics Italia S.R.L.: Strada della Moia, 1 int. 6, 20020 Arese, (Milano), Italy, Telephone: (39) 02-935-81-733, Fax: (39) 02-935-81-741

China: Hamamatsu Photonics (China) Co., Ltd.: 1201 Tower B, Jiaming Center, No.27 Dongsanhuan Beilu, Chaoyang District, Beijing 100020, China, Telephone: (86) 10-6586-6006, Fax: (86) 10-6586-2866