

TVS/ESD Arrays

RLSD32AxxxC Series

TVS/ESD Arrays - RLSD32AxxxC Series

Features

- 350 Watts peak pulse power ($t_p = 8/20\mu s$)
- Transient protection for data lines to
IEC 61000-4-2 (ESD) $\pm 15kV$ (air), $\pm 8kV$ (contact)
IEC 61000-4-4 (EFT) 40A (5/50ns)
IEC 61000-4-5 (Lightning) 24A (8/20 μs)
- Small package for use in portable electronics
- Suitable replacement for MLV's in ESD protection applications
- Protects one I/O or power line
- Solid-state silicon avalanche technology



Mechanical Characteristics

- SOD-323 package
- Molding compound flammability rating: UL 94V-0
- Packaging: Tape and Reel per EIA 481
- Lead Finish: Matte tin
- RoHS Compliant

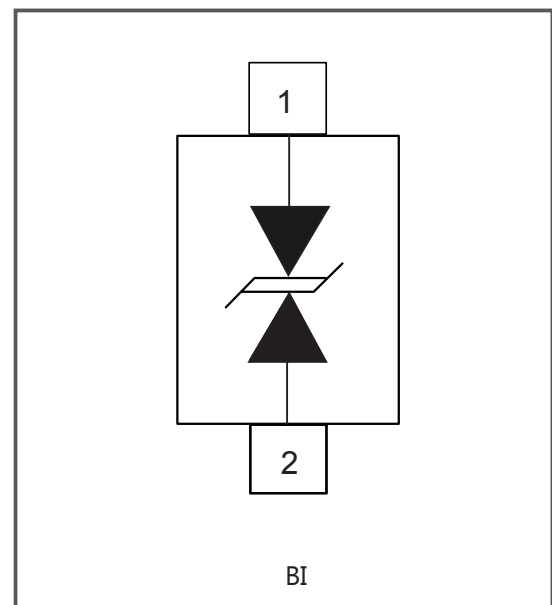
Applications

- Cell Phone Handsets and Accessories
- Microprocessor based equipment
- Personal Digital Assistants (PDA's)
- Notebooks, Desktops, and Servers
- Portable Instrumentation
- Pagers Peripherals

Life Support Note

- Not Intended for Use in Life Support or Life Saving Applications
- The products shown herein are not designed for use in life sustaining or life saving applications unless otherwise expressly indicated

Pinout and Functional Block Diagram



TVS/ESD Arrays - RLSD32AxxxC Series

Absolute Maximum Rating

Rating	Symbol	Value	Units
Peak Pulse Power (tp = 8/20µs)	Ppk	350	Watts
Maximum Peak Pulse Current (tp = 8/20µs)	IPP	24	Amps
ESD per IEC 61000-4-2 (Air)	VPP	+/-20	Kv
ESD per IEC 61000-4-2 (Contact)		+/-15	
Lead Soldering Temperature	TL	260 (10 sec.)	°C
Operating Temperature	TJ	-55 to +125	°C
Storage Temperature	TSTG	-55 to +150	°C
Storage Temperature	TSTG	-55 to +150	°C

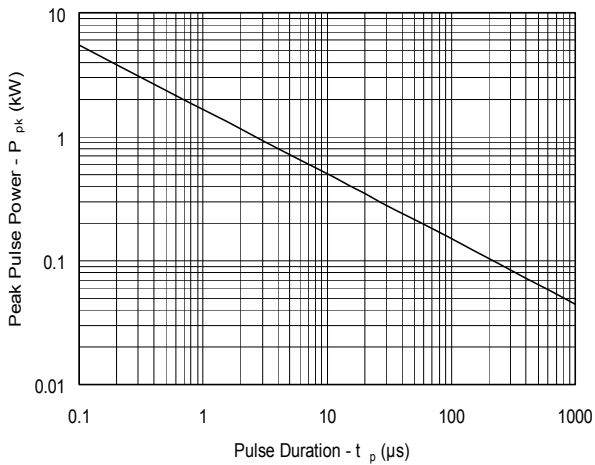
Electrical Characteristics Per Lin (@ 25°C Unless Otherwise Specified)

Type Number	Peak Power Dissipation @8/20µS Pppm	Reverse Stand-Off Voltage Vrwm Max	Peak Pulse Voltage @8/20µS Pppm Vc@IPP	Peak Pulse Current @8/20µS Pppm IPP	Reverse Leakage @Vrwm IR@Vrwm Max	Maximum Capacitance @1MHZ Co Max
BI	W	V	V	A	µA	BI(pF)
RLSD32A031C	350	3.3	7.5	5	5	250
RLSD32A051C	350	5	9.8	5	5	200
RLSD32A081C	350	8	12	5	1	125
RLSD32A121C	350	12	19	5	1	70
RLSD32A151C	350	15	24	5	1	60
RLSD32A181C	350	18	29	5	1	40
RLSD32A241C	350	24	36	1	1	37
RLSD32A361C	350	36	58	1	1	30

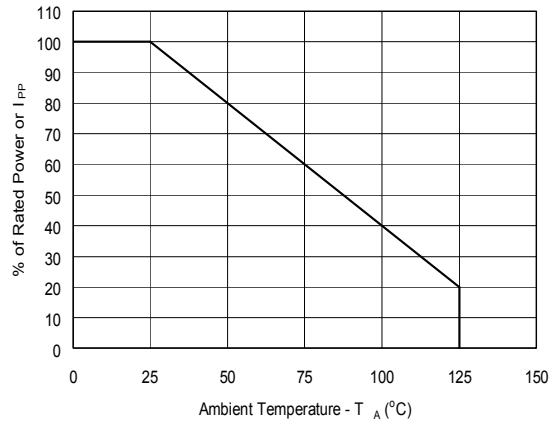
TVS/ESD Arrays - RLSD32AxxxC Series

Typical Characteristics

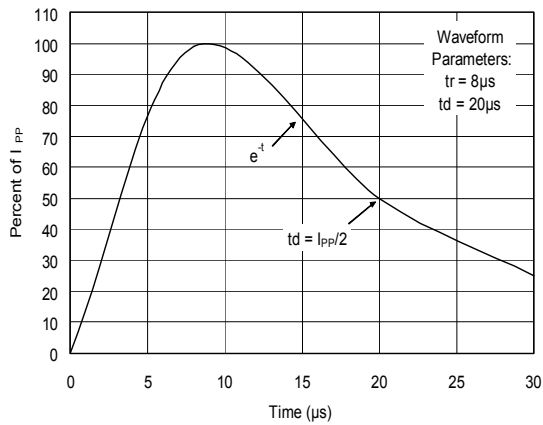
Non-Repetitive Peak Pulse Power vs. Pulse Time



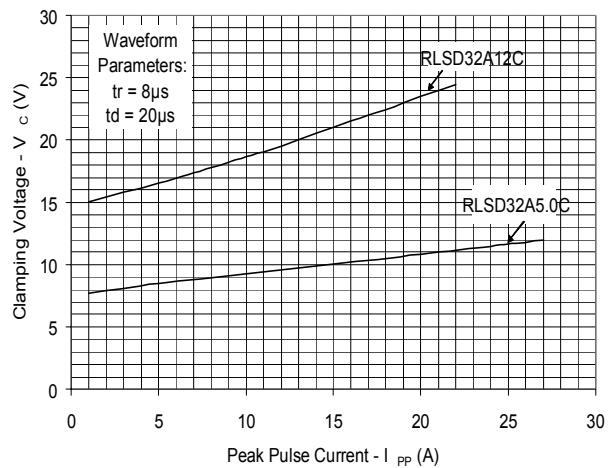
Power Derating Curve



Pulse Waveform

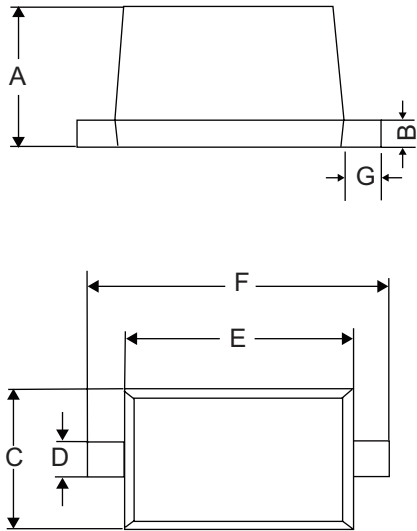


Clamping Voltage vs. Peak Pulse Current



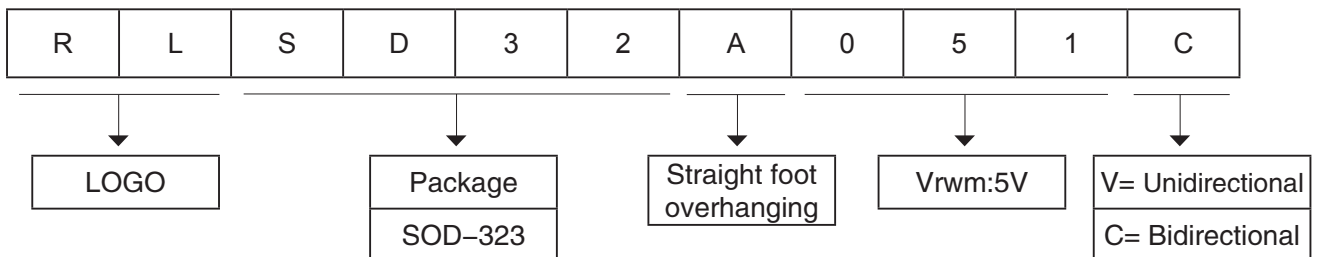
TVS/ESD Arrays - RLSD32AxxxC Series

Package dimension SOD-323



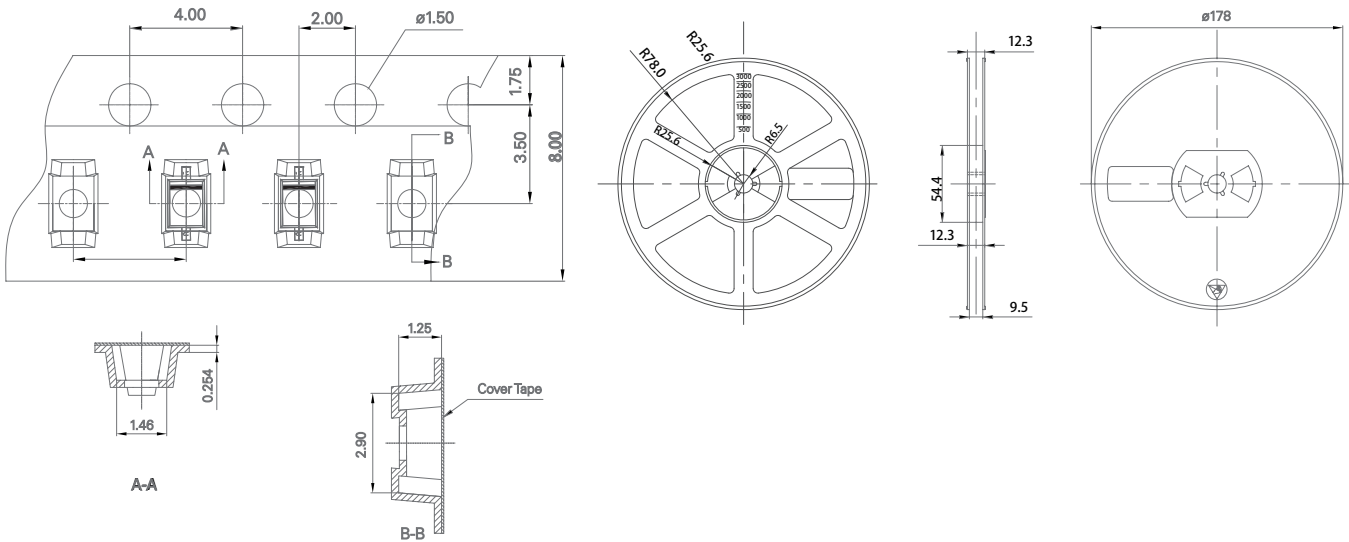
Dimensions				
Symbol	Inches		Millimeters	
	Min	Max	Min	Max
A	---	0.043	---	1.1
B	0.004	0.010	0.10	0.25
C	0.045	0.054	1.2	1.4
D	0.012	0.016	0.3	0.4
E	0.060	0.071	1.5	1.8
F	0.090	0.107	2.3	2.7
G	0.006	0.010	0.15	0.25

Part Number Code



TVS/ESD Arrays - RLSD32AxxxC Series

Tape and reel



Ordering Information

Part Number	Package	Min. Order Qty.
RLSD32AxxxC	SOD-323	3000pcs

Warehouse Storage Conditions of Products

• Storage Conditions:

1. Storage Temperature: -10°C~+40°C
2. Relative Humidity: ≤75%RH
3. Keep away from corrosive atmosphere and sunlight.
4. Period of Storage: 1 year

RuiLongYuan Electronics Co., Ltd.

- Reproducing and modifying information of the document is prohibited without permission from Ruilongyuan International Inc.
- Ruilongyuan International Inc. reserves the rights to make changes of the content herein the document anytime without notification. Please refer to our website for the latest document.
- Ruilongyuan International Inc. disclaims any and all liability arising out of the application or use of any product including damages incidentally and consequentially occurred.
- Ruilongyuan International Inc. does not assume any and all implied warranties, including warranties of fitness for particular purpose, non-infringement and merchantability.
- Applications shown on the herein document are examples of standard use and operation. Customers are responsible in comprehending the suitable use in particular applications. Ruilongyuan International Inc. makes no representation or warranty that such applications will be suitable for the specified use without further testing or modification.
- The products shown herein are not designed and authorized for equipments requiring high level of reliability or relating to human life and for any applications concerning life-saving or life-sustaining, such as medical instruments, transportation equipment, aerospace machinery et cetera. Customers using or selling these products for use in such applications do so at their own risk and agree to fully indemnify Ruilongyuan International Inc. for any damages resulting from such improper use or sale.

Tel: +86-755-8290 8296

Fax: +86-755-8290 8002

E-mail: jack@ruilon.com