

CMOS System Reset IC Built-in Delay time circuit Monolithic IC KIC73A/B/C/D/E**T/T2/M/M2 Series

This IC is a system reset IC built in delay time circuit.
KIC73 series is not required with an external capacitor, and then can use a small package. Therefore, a space of PC board can be small.

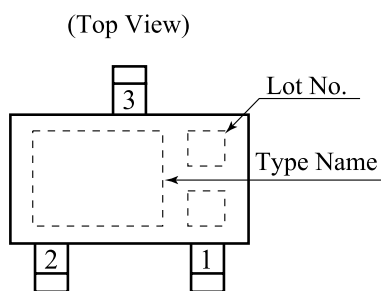
Features

- Operating supply voltage : 1.0 ~ 7.0V
- Supply current 0.5μA typ.
- Reset threshold range : 1.6 ~ 5.0V
- Reset threshold accuracy : ± 1%
- Other Threshold voltage : 2.63V, 2.93V, 3.08V, 4.38V, 4.63V
- Reset active timeout period : 240/50/100/200/400ms
- Output type : CMOS output

Applications

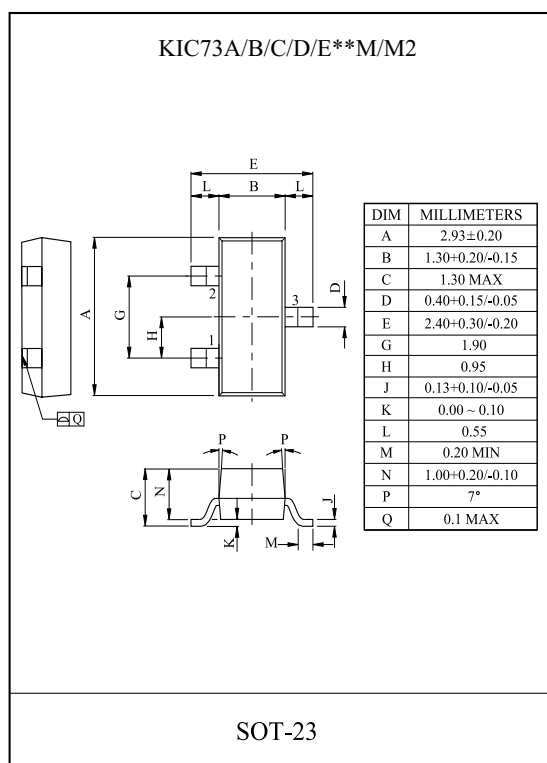
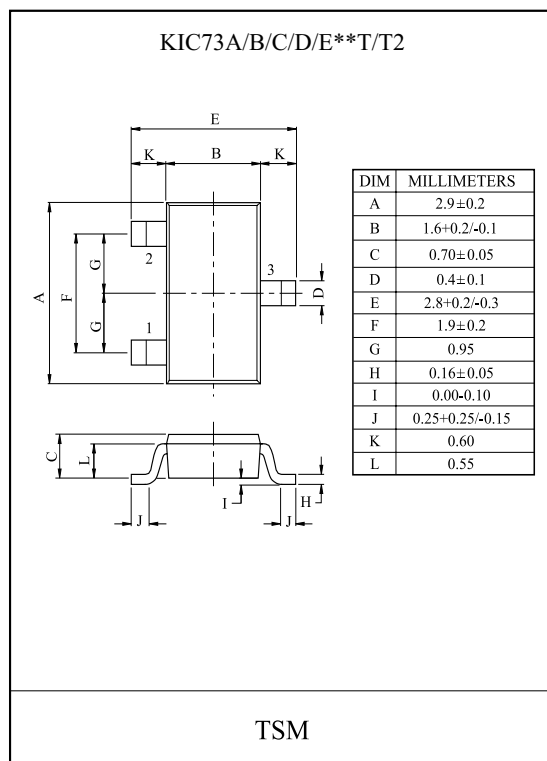
- Reset circuits for microcomputers, CPUs and MPUs
- Reset circuits for logic circuits
- Battery voltage check circuits
- Back-up power supply switching circuits
- Level detection circuits

Pin Configuration



TSM / SOT-23

Pin No	Pin Configuration	
	KIC73A~D**T/M	KIC73A~D**T2/M2
1	GND	V _{OUT}
2	V _{OUT}	GND
3	V _{DD}	V _{DD}



KIC73A/B/C/D/E16~50T/T2/M/M2

Block Diagram

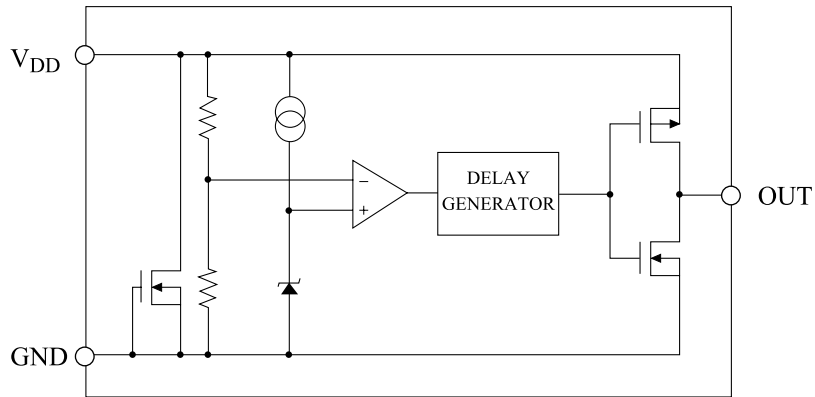


Figure. 1

Selection Guide

The output voltage, package type for the ICs can be selected at the user's request.

The selection can be made with designating the part number as shown below

KIC7 3 □ □□ □□
 ① ② ③ ④

NO.	Specifications	Description
①	Function & Output Type	Internal Reset, CMOS Output
②	Delay Time	A : 240ms B : 50ms C : 100ms D : 200ms E : 400ms
③	Reset Voltage	1.6 ~5.0V
④	Pin Configuration	T / M 1. GND 2. V _{OUT} 3. V _{DD}
		T2 / M2 1. V _{OUT} 2. GND 3. V _{DD}

KIC73A/B/C/D/E16~50T/T2/M/M2

Line-up-1 (KIC73A/B/C/D/E16~50T)

Detecting Voltage	KIC73A16~50T		KIC73B16~50T		KIC73C16~50T		KIC73D16~50T		KIC73E16~50T	
	Item	Marking	Item	Marking	Item	Marking	Item	Marking	Item	Marking
1.6V	KIC73A16T	G16	KIC73B16T	H16	KIC73C16T	J16	KIC73D16T	K16	KIC73E16T	L16
1.7V	KIC73A17T	G17	KIC73B17T	H17	KIC73C17T	J17	KIC73D17T	K17	KIC73E17T	L17
1.8V	KIC73A18T	G18	KIC73B18T	H18	KIC73C18T	J18	KIC73D18T	K18	KIC73E18T	L18
1.9V	KIC73A19T	G19	KIC73B19T	H19	KIC73C19T	J19	KIC73D19T	K19	KIC73E19T	L19
2.0V	KIC73A20T	G20	KIC73B20T	H20	KIC73C20T	J20	KIC73D20T	K20	KIC73E20T	L20
2.1V	KIC73A21T	G21	KIC73B21T	H21	KIC73C21T	J21	KIC73D21T	K21	KIC73E21T	L21
2.2V	KIC73A22T	G22	KIC73B22T	H22	KIC73C22T	J22	KIC73D22T	K22	KIC73E22T	L22
2.3V	KIC73A23T	G23	KIC73B23T	H23	KIC73C23T	J23	KIC73D23T	K23	KIC73E23T	L23
2.4V	KIC73A24T	G24	KIC73B24T	H24	KIC73C24T	J24	KIC73D24T	K24	KIC73E24T	L24
2.5V	KIC73A25T	G25	KIC73B25T	H25	KIC73C25T	J25	KIC73D25T	K25	KIC73E25T	L25
2.6V	KIC73A26T	G26	KIC73B26T	H26	KIC73C26T	J26	KIC73D26T	K26	KIC73E26T	L26
2.63V	KIC73A263T	G2F	KIC73B263T	H2F	KIC73C263T	J2F	KIC73D263T	K2F	KIC73E263T	L2F
2.7V	KIC73A27T	G27	KIC73B27T	H27	KIC73C27T	J27	KIC73D27T	K27	KIC73E27T	L27
2.8V	KIC73A28T	G28	KIC73B28T	H28	KIC73C28T	J28	KIC73D28T	K28	KIC73E28T	L28
2.9V	KIC73A29T	G29	KIC73B29T	H29	KIC73C29T	J29	KIC73D29T	K29	KIC73E29T	L29
2.93V	KIC73A293T	G2I	KIC73B293T	H2I	KIC73C293T	J2I	KIC73D293T	K2I	KIC73E293T	L2I
3.0V	KIC73A30T	G30	KIC73B30T	H30	KIC73C30T	J30	KIC73D30T	K30	KIC73E30T	L30
3.08V	KIC73A308T	G3Z	KIC73B308T	H3Z	KIC73C308T	J3Z	KIC73D308T	K3Z	KIC73E308T	L3Z
3.1V	KIC73A31T	G31	KIC73B31T	H31	KIC73C31T	J31	KIC73D31T	K31	KIC73E31T	L31
3.2V	KIC73A32T	G32	KIC73B32T	H32	KIC73C32T	J32	KIC73D32T	K32	KIC73E32T	L32
3.3V	KIC73A33T	G33	KIC73B33T	H33	KIC73C33T	J33	KIC73D33T	K33	KIC73E33T	L33
3.4V	KIC73A34T	G34	KIC73B34T	H34	KIC73C34T	J34	KIC73D34T	K34	KIC73E34T	L34
3.5V	KIC73A35T	G35	KIC73B35T	H35	KIC73C35T	J35	KIC73D35T	K35	KIC73E35T	L35
3.6V	KIC73A36T	G36	KIC73B36T	H36	KIC73C36T	J36	KIC73D36T	K36	KIC73E36T	L36
3.7V	KIC73A37T	G37	KIC73B37T	H37	KIC73C37T	J37	KIC73D37T	K37	KIC73E37T	L37
3.8V	KIC73A38T	G38	KIC73B38T	H38	KIC73C38T	J38	KIC73D38T	K38	KIC73E38T	L38
3.9V	KIC73A39T	G39	KIC73B39T	H39	KIC73C39T	J39	KIC73D39T	K39	KIC73E39T	L39
4.0V	KIC73A40T	G40	KIC73B40T	H40	KIC73C40T	J40	KIC73D40T	K40	KIC73E40T	L40
4.1V	KIC73A41T	G41	KIC73B41T	H41	KIC73C41T	J41	KIC73D41T	K41	KIC77E41T	L41
4.2V	KIC73A42T	G42	KIC73B42T	H42	KIC73C42T	J42	KIC73D42T	K42	KIC77E42T	L42
4.3V	KIC73A43T	G43	KIC73B43T	H43	KIC73C43T	J43	KIC73D43T	K43	KIC77E43T	L43
4.38V	KIC73A438T	G4C	KIC73B438T	H4C	KIC73C438T	J4C	KIC73D438T	K4C	KIC77E438T	L4C
4.4V	KIC73A44T	G44	KIC73B44T	H44	KIC73C44T	J44	KIC73D44T	K44	KIC77E44T	L44
4.5V	KIC73A45T	G45	KIC73B45T	H45	KIC73C45T	J45	KIC73D45T	K45	KIC77E45T	L45
4.6V	KIC73A46T	G46	KIC73B46T	H46	KIC73C46T	J46	KIC73D46T	K46	KIC77E46T	L46
4.63V	KIC73A463T	G4F	KIC73B463T	H4F	KIC73C463T	J4F	KIC73D463T	K4F	KIC77E463T	L4F
4.7V	KIC73A47T	G47	KIC73B47T	H47	KIC73C47T	J47	KIC73D47T	K47	KIC77E47T	L47
4.8V	KIC73A48T	G48	KIC73B48T	H48	KIC73C48T	J48	KIC73D48T	K48	KIC77E48T	L48
4.9V	KIC73A49T	G49	KIC73B49T	H49	KIC73C49T	J49	KIC73D49T	K49	KIC77E49T	L49
5.0V	KIC73A50T	G50	KIC73B50T	H50	KIC73C50T	J50	KIC73D50T	K50	KIC77E50T	L50

KIC73A/B/C/D/E16~50T/T2/M/M2

Line-up-2 (KIC73A/B/C/D/E16~50T2)

Detecting Voltage	KIC73A16~50T2		KIC73B16~50T2		KIC73C16~50T2		KIC73D16~50T2		KIC73E16~50T2	
	Item	Marking	Item	Marking	Item	Marking	Item	Marking	Item	Marking
1.6V	KIC73A16T2	V16	KIC73B16T2	W16	KIC73C16T2	X16	KIC73D16T2	Y16	KIC73E16T2	Z16
1.7V	KIC73A17T2	V17	KIC73B17T2	W17	KIC73C17T2	X17	KIC73D17T2	Y17	KIC73E17T2	Z17
1.8V	KIC73A18T2	V18	KIC73B18T2	W18	KIC73C18T2	X18	KIC73D18T2	Y18	KIC73E18T2	Z18
1.9V	KIC73A19T2	V19	KIC73B19T2	W19	KIC73C19T2	X19	KIC73D19T2	Y19	KIC73E19T2	Z19
2.0V	KIC73A20T2	V20	KIC73B20T2	W20	KIC73C20T2	X20	KIC73D20T2	Y20	KIC73E20T2	Z20
2.1V	KIC73A21T2	V21	KIC73B21T2	W21	KIC73C21T2	X21	KIC73D21T2	Y21	KIC73E21T2	Z21
2.2V	KIC73A22T2	V22	KIC73B22T2	W22	KIC73C22T2	X22	KIC73D22T2	Y22	KIC73E22T2	Z22
2.3V	KIC73A23T2	V23	KIC73B23T2	W23	KIC73C23T2	X23	KIC73D23T2	Y23	KIC73E23T2	Z23
2.4V	KIC73A24T2	V24	KIC73B24T2	W24	KIC73C24T2	X24	KIC73D24T2	Y24	KIC73E24T2	Z24
2.5V	KIC73A25T2	V25	KIC73B25T2	W25	KIC73C25T2	X25	KIC73D25T2	Y25	KIC73E25T2	Z25
2.6V	KIC73A26T2	V26	KIC73B26T2	W26	KIC73C26T2	X26	KIC73D26T2	Y26	KIC73E26T2	Z26
2.63V	KIC73A263T2	V2F	KIC73B263T2	W2F	KIC73C263T2	X2F	KIC73D263T2	Y2F	KIC73E263T2	Z2F
2.7V	KIC73A27T2	V27	KIC73B27T2	W27	KIC73C27T2	X27	KIC73D27T2	Y27	KIC73E27T2	Z27
2.8V	KIC73A28T2	V28	KIC73B28T2	W28	KIC73C28T2	X28	KIC73D28T2	Y28	KIC73E28T2	Z28
2.9V	KIC73A29T2	V29	KIC73B29T2	W29	KIC73C29T2	X29	KIC73D29T2	Y29	KIC73E29T2	Z29
2.93V	KIC73A293T2	V2I	KIC73B293T2	W2I	KIC73C293T2	X2I	KIC73D293T2	Y2I	KIC73E293T2	Z2I
3.0V	KIC73A30T2	V30	KIC73B30T2	W30	KIC73C30T2	X30	KIC73D30T2	Y30	KIC73E30T2	Z30
3.08V	KIC73A308T2	V3Z	KIC73B308T2	W3Z	KIC73C308T2	X3Z	KIC73D308T2	Y3Z	KIC73E308T2	Z3Z
3.1V	KIC73A31T2	V31	KIC73B31T2	W31	KIC73C31T2	X31	KIC73D31T2	Y31	KIC73E31T2	Z31
3.2V	KIC73A32T2	V32	KIC73B32T2	W32	KIC73C32T2	X32	KIC73D32T2	Y32	KIC73E32T2	Z32
3.3V	KIC73A33T2	V33	KIC73B33T2	W33	KIC73C33T2	X33	KIC73D33T2	Y33	KIC73E33T2	Z33
3.4V	KIC73A34T2	V34	KIC73B34T2	W34	KIC73C34T2	X34	KIC73D34T2	Y34	KIC73E34T2	Z34
3.5V	KIC73A35T2	V35	KIC73B35T2	W35	KIC73C35T2	X35	KIC73D35T2	Y35	KIC73E35T2	Z35
3.6V	KIC73A36T2	V36	KIC73B36T2	W36	KIC73C36T2	X36	KIC73D36T2	Y36	KIC73E36T2	Z36
3.7V	KIC73A37T2	V37	KIC73B37T2	W37	KIC73C37T2	X37	KIC73D37T2	Y37	KIC73E37T2	Z37
3.8V	KIC73A38T2	V38	KIC73B38T2	W38	KIC73C38T2	X38	KIC73D38T2	Y38	KIC73E38T2	Z38
3.9V	KIC73A39T2	V39	KIC73B39T2	W39	KIC73C39T2	X39	KIC73D39T2	Y39	KIC73E39T2	Z39
4.0V	KIC73A40T2	V40	KIC73B40T2	W40	KIC73C40T2	X40	KIC73D40T2	Y40	KIC73E40T2	Z40
4.1V	KIC73A41T2	V41	KIC73B41T2	W41	KIC73C41T2	X41	KIC73D41T2	Y41	KIC73E41T2	Z41
4.2V	KIC73A42T2	V42	KIC73B42T2	W42	KIC73C42T2	X42	KIC73D42T2	Y42	KIC73E42T2	Z42
4.3V	KIC73A43T2	V43	KIC73B43T2	W43	KIC73C43T2	X43	KIC73D43T2	Y43	KIC73E43T2	Z43
4.38V	KIC73A438T2	V4C	KIC73B438T2	W4C	KIC73C438T2	X4C	KIC73D438T2	Y4C	KIC73E438T2	Z4C
4.4V	KIC73A44T2	V44	KIC73B44T2	W44	KIC73C44T2	X44	KIC73D44T2	Y44	KIC73E44T2	Z44
4.5V	KIC73A45T2	V45	KIC73B45T2	W45	KIC73C45T2	X45	KIC73D45T2	Y45	KIC73E45T2	Z45
4.6V	KIC73A46T2	V46	KIC73B46T2	W46	KIC73C46T2	X46	KIC73D46T2	Y46	KIC73E46T2	Z46
4.63V	KIC73A463T2	V4F	KIC73B463T2	W4F	KIC73C463T2	X4F	KIC73D463T2	Y4F	KIC73E463T2	Z4F
4.7V	KIC73A47T2	V47	KIC73B47T2	W47	KIC73C47T2	X47	KIC73D47T2	Y47	KIC73E47T2	Z47
4.8V	KIC73A48T2	V48	KIC73B48T2	W48	KIC73C48T2	X48	KIC73D48T2	Y48	KIC73E48T2	Z48
4.9V	KIC73A49T2	V49	KIC73B49T2	W49	KIC73C49T2	X49	KIC73D49T2	Y49	KIC73E49T2	Z49
5.0V	KIC73A50T2	V50	KIC73B50T2	W50	KIC73C50T2	X50	KIC73D50T2	Y50	KIC73E50T2	Z50

KIC73A/B/C/D/E16~50T/T2/M/M2

Line-up-3 (KIC73A/B/C/D/E16~50M)

Detecting Voltage	KIC73A16~50M		KIC73B16~50M		KIC73C16~50M		KIC73D16~50M		KIC73E16~50M	
	Item	Marking	Item	Marking	Item	Marking	Item	Marking	Item	Marking
1.6V	KIC73A16M	G16	KIC73B16M	H16	KIC73C16M	J16	KIC73D16M	K16	KIC73E16M	L16
1.7V	KIC73A17M	G17	KIC73B17M	H17	KIC73C17M	J17	KIC73D17M	K17	KIC73E17M	L17
1.8V	KIC73A18M	G18	KIC73B18M	H18	KIC73C18M	J18	KIC73D18M	K18	KIC73E18M	L18
1.9V	KIC73A19M	G19	KIC73B19M	H19	KIC73C19M	J19	KIC73D19M	K19	KIC73E19M	L19
2.0V	KIC73A20M	G20	KIC73B20M	H20	KIC73C20M	J20	KIC73D20M	K20	KIC73E20M	L20
2.1V	KIC73A21M	G21	KIC73B21M	H21	KIC73C21M	J21	KIC73D21M	K21	KIC73E21M	L21
2.2V	KIC73A22M	G22	KIC73B22M	H22	KIC73C22M	J22	KIC73D22M	K22	KIC73E22M	L22
2.3V	KIC73A23M	G23	KIC73B23M	H23	KIC73C23M	J23	KIC73D23M	K23	KIC73E23M	L23
2.4V	KIC73A24M	G24	KIC73B24M	H24	KIC73C24M	J24	KIC73D24M	K24	KIC73E24M	L24
2.5V	KIC73A25M	G25	KIC73B25M	H25	KIC73C25M	J25	KIC73D25M	K25	KIC73E25M	L25
2.6V	KIC73A26M	G26	KIC73B26M	H26	KIC73C26M	J26	KIC73D26M	K26	KIC73E26M	L26
2.63V	KIC73A263M	G2F	KIC73B263M	H2F	KIC73C263M	J2F	KIC73D263M	K2F	KIC73E263M	L2F
2.7V	KIC73A27M	G27	KIC73B27M	H27	KIC73C27M	J27	KIC73D27M	K27	KIC73E27M	L27
2.8V	KIC73A28M	G28	KIC73B28M	H28	KIC73C28M	J28	KIC73D28M	K28	KIC73E28M	L28
2.9V	KIC73A29M	G29	KIC73B29M	H29	KIC73C29M	J29	KIC73D29M	K29	KIC73E29M	L29
2.93V	KIC73A293M	G2I	KIC73B293M	H2I	KIC73C293M	J2I	KIC73D293M	K2I	KIC73E293M	L2I
3.0V	KIC73A30M	G30	KIC73B30M	H30	KIC73C30M	J30	KIC73D30M	K30	KIC73E30M	L30
3.08V	KIC73A308M	G3Z	KIC73B308M	H3Z	KIC73C308M	J3Z	KIC73D308M	K3Z	KIC73E308M	L3Z
3.1V	KIC73A31M	G31	KIC73B31M	H31	KIC73C31M	J31	KIC73D31M	K31	KIC73E31M	L31
3.2V	KIC73A32M	G32	KIC73B32M	H32	KIC73C32M	J32	KIC73D32M	K32	KIC73E32M	L32
3.3V	KIC73A33M	G33	KIC73B33M	H33	KIC73C33M	J33	KIC73D33M	K33	KIC73E33M	L33
3.4V	KIC73A34M	G34	KIC73B34M	H34	KIC73C34M	J34	KIC73D34M	K34	KIC73E34M	L34
3.5V	KIC73A35M	G35	KIC73B35M	H35	KIC73C35M	J35	KIC73D35M	K35	KIC73E35M	L35
3.6V	KIC73A36M	G36	KIC73B36M	H36	KIC73C36M	J36	KIC73D36M	K36	KIC73E36M	L36
3.7V	KIC73A37M	G37	KIC73B37M	H37	KIC73C37M	J37	KIC73D37M	K37	KIC73E37M	L37
3.8V	KIC73A38M	G38	KIC73B38M	H38	KIC73C38M	J38	KIC73D38M	K38	KIC73E38M	L38
3.9V	KIC73A39M	G39	KIC73B39M	H39	KIC73C39M	J39	KIC73D39M	K39	KIC73E39M	L39
4.0V	KIC73A40M	G40	KIC73B40M	H40	KIC73C40M	J40	KIC73D40M	K40	KIC73E40M	L40
4.1V	KIC73A41M	G41	KIC73B41M	H41	KIC73C41M	J41	KIC73D41M	K41	KIC77E41M	L41
4.2V	KIC73A42M	G42	KIC73B42M	H42	KIC73C42M	J42	KIC73D42M	K42	KIC77E42M	L42
4.3V	KIC73A43M	G43	KIC73B43M	H43	KIC73C43M	J43	KIC73D43M	K43	KIC77E43M	L43
4.38V	KIC73A438M	G4C	KIC73B438M	H4C	KIC73C438M	J4C	KIC73D438M	K4C	KIC77E438M	L4C
4.4V	KIC73A44M	G44	KIC73B44M	H44	KIC73C44M	J44	KIC73D44M	K44	KIC77E44M	L44
4.5V	KIC73A45M	G45	KIC73B45M	H45	KIC73C45M	J45	KIC73D45M	K45	KIC77E45M	L45
4.6V	KIC73A46M	G46	KIC73B46M	H46	KIC73C46M	J46	KIC73D46M	K46	KIC77E46M	L46
4.63V	KIC73A463M	G4F	KIC73B463M	H4F	KIC73C463M	J4F	KIC73D463M	K4F	KIC77E463M	L4F
4.7V	KIC73A47M	G47	KIC73B47M	H47	KIC73C47M	J47	KIC73D47M	K47	KIC77E47M	L47
4.8V	KIC73A48M	G48	KIC73B48M	H48	KIC73C48M	J48	KIC73D48M	K48	KIC77E48M	L48
4.9V	KIC73A49M	G49	KIC73B49M	H49	KIC73C49M	J49	KIC73D49M	K49	KIC77E49M	L49
5.0V	KIC73A50M	G50	KIC73B50M	H50	KIC73C50M	J50	KIC73D50M	K50	KIC77E50M	L50

KIC73A/B/C/D/E16~50T/T2/M/M2

Line-up-4 (KIC73A/B/C/D/E16~50M2)

Detecting Voltage	KIC73A16~50M2		KIC73B16~50M2		KIC73C16~50M2		KIC73D16~50M2		KIC73E16~50M2	
	Item	Marking	Item	Marking	Item	Marking	Item	Marking	Item	Marking
1.6V	KIC73A16M2	V16	KIC73B16M2	W16	KIC73C16M2	X16	KIC73D16M2	Y16	KIC73E16M2	Z16
1.7V	KIC73A17M2	V17	KIC73B17M2	W17	KIC73C17M2	X17	KIC73D17M2	Y17	KIC73E17M2	Z17
1.8V	KIC73A18M2	V18	KIC73B18M2	W18	KIC73C18M2	X18	KIC73D18M2	Y18	KIC73E18M2	Z18
1.9V	KIC73A19M2	V19	KIC73B19M2	W19	KIC73C19M2	X19	KIC73D19M2	Y19	KIC73E19M2	Z19
2.0V	KIC73A20M2	V20	KIC73B20M2	W20	KIC73C20M2	X20	KIC73D20M2	Y20	KIC73E20M2	Z20
2.1V	KIC73A21M2	V21	KIC73B21M2	W21	KIC73C21M2	X21	KIC73D21M2	Y21	KIC73E21M2	Z21
2.2V	KIC73A22M2	V22	KIC73B22M2	W22	KIC73C22M2	X22	KIC73D22M2	Y22	KIC73E22M2	Z22
2.3V	KIC73A23M2	V23	KIC73B23M2	W23	KIC73C23M2	X23	KIC73D23M2	Y23	KIC73E23M2	Z23
2.4V	KIC73A24M2	V24	KIC73B24M2	W24	KIC73C24M2	X24	KIC73D24M2	Y24	KIC73E24M2	Z24
2.5V	KIC73A25M2	V25	KIC73B25M2	W25	KIC73C25M2	X25	KIC73D25M2	Y25	KIC73E25M2	Z25
2.6V	KIC73A26M2	V26	KIC73B26M2	W26	KIC73C26M2	X26	KIC73D26M2	Y26	KIC73E26M2	Z26
2.63V	KIC73A263M2	V2F	KIC73B263M2	W2F	KIC73C263M2	X2F	KIC73D263M2	Y2F	KIC73E263M2	Z2F
2.7V	KIC73A27M2	V27	KIC73B27M2	W27	KIC73C27M2	X27	KIC73D27M2	Y27	KIC73E27M2	Z27
2.8V	KIC73A28M2	V28	KIC73B28M2	W28	KIC73C28M2	X28	KIC73D28M2	Y28	KIC73E28M2	Z28
2.9V	KIC73A29M2	V29	KIC73B29M2	W29	KIC73C29M2	X29	KIC73D29M2	Y29	KIC73E29M2	Z29
2.93V	KIC73A293M2	V2I	KIC73B293M2	W2I	KIC73C293M2	X2I	KIC73D293M2	Y2I	KIC73E293M2	Z2I
3.0V	KIC73A30M2	V30	KIC73B30M2	W30	KIC73C30M2	X30	KIC73D30M2	Y30	KIC73E30M2	Z30
3.08V	KIC73A308M2	V3Z	KIC73B308M2	W3Z	KIC73C308M2	X3Z	KIC73D308M2	Y3Z	KIC73E308M2	Z3Z
3.1V	KIC73A31M2	V31	KIC73B31M2	W31	KIC73C31M2	X31	KIC73D31M2	Y31	KIC73E31M2	Z31
3.2V	KIC73A32M2	V32	KIC73B32M2	W32	KIC73C32M2	X32	KIC73D32M2	Y32	KIC73E32M2	Z32
3.3V	KIC73A33M2	V33	KIC73B33M2	W33	KIC73C33M2	X33	KIC73D33M2	Y33	KIC73E33M2	Z33
3.4V	KIC73A34M2	V34	KIC73B34M2	W34	KIC73C34M2	X34	KIC73D34M2	Y34	KIC73E34M2	Z34
3.5V	KIC73A35M2	V35	KIC73B35M2	W35	KIC73C35M2	X35	KIC73D35M2	Y35	KIC73E35M2	Z35
3.6V	KIC73A36M2	V36	KIC73B36M2	W36	KIC73C36M2	X36	KIC73D36M2	Y36	KIC73E36M2	Z36
3.7V	KIC73A37M2	V37	KIC73B37M2	W37	KIC73C37M2	X37	KIC73D37M2	Y37	KIC73E37M2	Z37
3.8V	KIC73A38M2	V38	KIC73B38M2	W38	KIC73C38M2	X38	KIC73D38M2	Y38	KIC73E38M2	Z38
3.9V	KIC73A39M2	V39	KIC73B39M2	W39	KIC73C39M2	X39	KIC73D39M2	Y39	KIC73E39M2	Z39
4.0V	KIC73A40M2	V40	KIC73B40M2	W40	KIC73C40M2	X40	KIC73D40M2	Y40	KIC73E40M2	Z40
4.1V	KIC73A41M2	V41	KIC73B41M2	W41	KIC73C41M2	X41	KIC73D41M2	Y41	KIC73E41M2	Z41
4.2V	KIC73A42M2	V42	KIC73B42M2	W42	KIC73C42M2	X42	KIC73D42M2	Y42	KIC73E42M2	Z42
4.3V	KIC73A43M2	V43	KIC73B43M2	W43	KIC73C43M2	X43	KIC73D43M2	Y43	KIC73E43M2	Z43
4.38V	KIC73A438M2	V4C	KIC73B438M2	W4C	KIC73C438M2	X4C	KIC73D438M2	Y4C	KIC73E438M2	Z4C
4.4V	KIC73A44M2	V44	KIC73B44M2	W44	KIC73C44M2	X44	KIC73D44M2	Y44	KIC73E44M2	Z44
4.5V	KIC73A45M2	V45	KIC73B45M2	W45	KIC73C45M2	X45	KIC73D45M2	Y45	KIC73E45M2	Z45
4.6V	KIC73A46M2	V46	KIC73B46M2	W46	KIC73C46M2	X46	KIC73D46M2	Y46	KIC73E46M2	Z46
4.63V	KIC73A463M2	V4F	KIC73B463M2	W4F	KIC73C463M2	X4F	KIC73D463M2	Y4F	KIC73E463M2	Z4F
4.7V	KIC73A47M2	V47	KIC73B47M2	W47	KIC73C47M2	X47	KIC73D47M2	Y47	KIC73E47M2	Z47
4.8V	KIC73A48M2	V48	KIC73B48M2	W48	KIC73C48M2	X48	KIC73D48M2	Y48	KIC73E48M2	Z48
4.9V	KIC73A49M2	V49	KIC73B49M2	W49	KIC73C49M2	X49	KIC73D49M2	Y49	KIC73E49M2	Z49
5.0V	KIC73A50M2	V50	KIC73B50M2	W50	KIC73C50M2	X50	KIC73D50M2	Y50	KIC73E50M2	Z50

KIC73A/B/C/D/E16~50T/T2/M/M2

Absolute Maximum Ratings(Ta=25℃)

ITEM	SYMBOL	RATING		UNITS
Supply voltage	V _{DD} MAX.	-0.3 ~ +7		V
Output voltage	V _{OUT}	-0.3 ~ +7		V
Input current (I _{DD})	I _{DD}	20		mA
Output current	I _{OUT}	20		mA
Power dissipation	P _D	TSM	900 *Note 1)	mW
		SOT-23	350 *Note 2)	
Operating temperature	T _{OPR}	-40 ~ +105		℃
Storage temperature	T _{STG}	-65 ~ +150		℃

* Note 1) Package mounted on a ceramix board(600mm²×0.8mm)

* Note 2) Package mountde on 99.5% Alumia (10mm×8mm×6mm)

Electrical Characteristics (Unless otherwise specified Ta=25℃)

PARAMETER	SYMBOL	TEST CONDITION	MIN.	TYP.	MAX.	UNITS	CIRCUIT	
Operating voltage	V _{DD}	Ta = 0 ~ 70℃	1.0	-	6.0	V	(1)	
		Ta = -40 ~ 105℃	1.1	-	6.0			
Supply Current	I _{DD}	V _{DD} = V _{TH} + 1V	-	0.5	2.0	μA	(2)	
Reset Threshold	V _{TH}	V _{TH} = 4.63V	Ta = 25℃	4.584	4.630	4.676	V	(1)
			Ta = -40 ~ 85℃	4.500	-	4.750		
			Ta = 85 ~ 105℃	4.400	-	4.860		
		V _{TH} = 4.38V	Ta = 25℃	4.336	4.380	4.424		
			Ta = -40 ~ 85℃	4.250	-	4.500		
			Ta = 85 ~ 105℃	4.160	-	4.560		
		V _{TH} = 3.08V	Ta = 25℃	3.049	3.080	3.111		
			Ta = -40 ~ 85℃	3.000	-	3.150		
			Ta = 85 ~ 105℃	2.920	-	3.230		
		V _{TH} = 2.93V	Ta = 25℃	2.901	2.930	2.959		
			Ta = -40 ~ 85℃	2.850	-	3.000		
			Ta = 85 ~ 105℃	2.780	-	3.080		
		V _{TH} = 2.63V	Ta = 25℃	2.604	2.630	2.656		
			Ta = -40 ~ 85℃	2.550	-	2.700		
			Ta = 85 ~ 105℃	2.500	-	2.760		
V _{TH} = 1.6~5.0 V (0.1V step)	Ta = 25℃	-1.0	-	1.0	%			
	Ta = -40 ~ 85℃	-2.5	-	2.5				
	Ta = 85 ~ 105℃	-5.0	-	5.0				
Reset Threshold Temp. Coefficient	V _{TH} /Δ T	-	-	30	-	ppm/℃	(1)	
RST output voltage Low	V _{OL}	V _{DD} = V _{TH} - 0.1V, Isink = 1.2mA V _{TH} □ 3.08V	-	-	0.3	V	(3)	
		V _{DD} = V _{TH} - 0.1V, Isink = 3.2mA V _{TH} > 3.08V			0.4			
RST output voltage High (active L type)	V _{OH}	V _{DD} = V _{TH} + 1V, Isource = 500μA V _{TH} □ 3.08V	0.8	-	-	V	(3)	
		V _{DD} = V _{TH} + 1V, Isource = 800μA V _{TH} > 3.08V	V _{DD} -1.5					

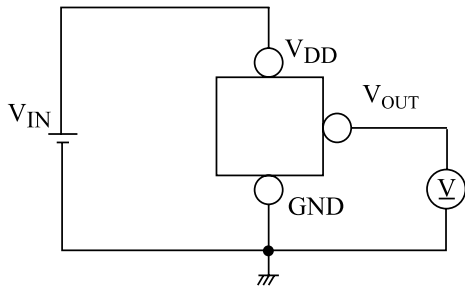
KIC73A/B/C/D/E16~50T/T2/M/M2

PARAMETER	SYMBOL	TEST CONDITION	MIN.	TYP.	MAX.	UNITS	CIRCUIT	
Reset active time timeout period	t_{del}	A	Ta=-40 ~ 85 °C	140	240	310	ms	(4)
			Ta=85 ~ 105 °C	100	-	840		
		B	Ta=-40 ~ 85 °C	35	50	65		
			Ta=85 ~ 105 °C	25	-	98		
		C	Ta=-40 ~ 85 °C	70	100	130		
			Ta=85 ~ 105 °C	49	-	195		
		D	Ta=-40 ~ 85 °C	140	200	260		
			Ta=85 ~ 105 °C	98	-	390		
		E	Ta=-40 ~ 85 °C	280	400	520		
			Ta=85 ~ 105 °C	196	-	780		
V _{DD} to Reset Delay	t_{TH}	V _{DD} =(V _{TH} +1V) to (V _{TH} -100mV)	-	20	-	μs	(4)	

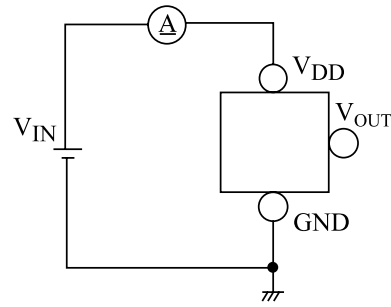
KIC73A/B/C/D/E16~50T/T2/M/M2

Test circuits

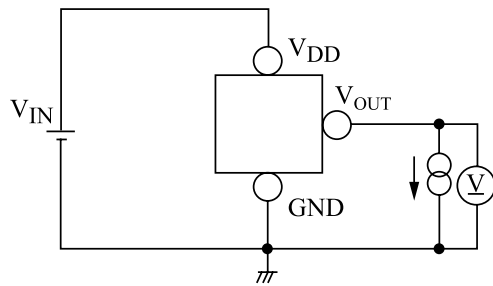
(1)



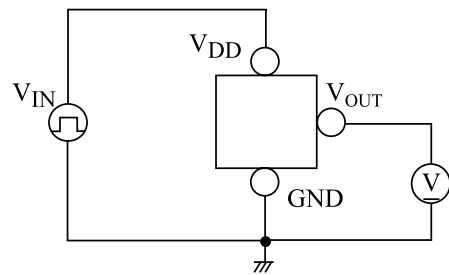
(2)



(3)

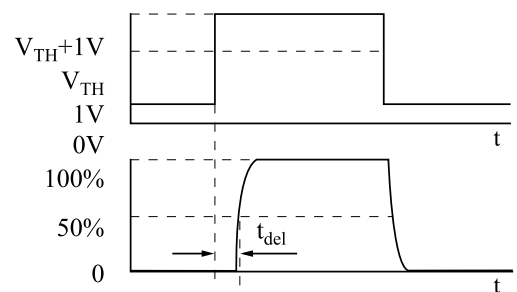
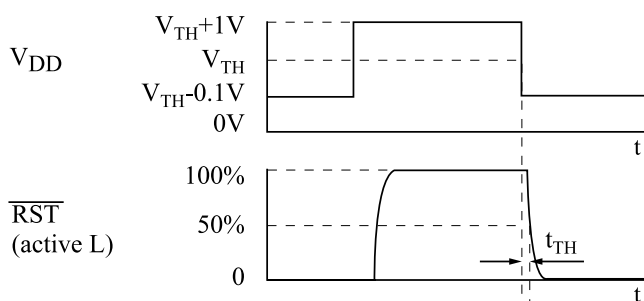


(4)



V_{DD} to rest Delay

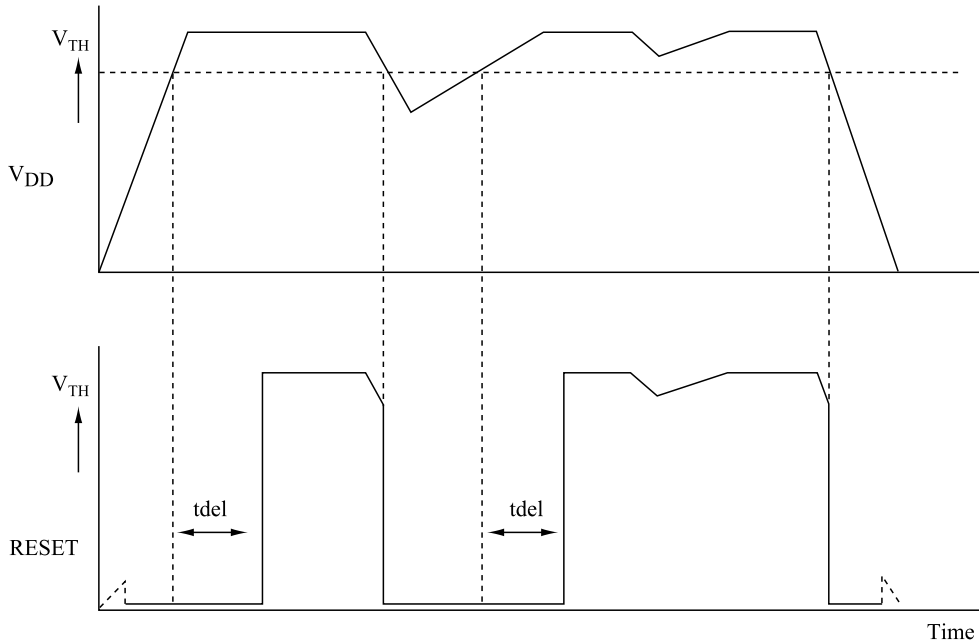
Reset active timeout period



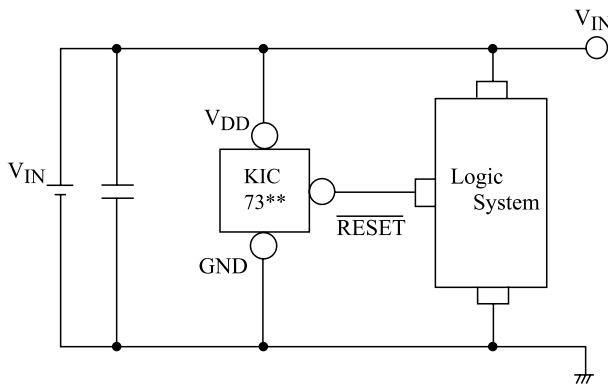
KIC73A/B/C/D/E16~50T/T2/M/M2

Timing Chart

※ $V_{DD} < V_{TH}$ region is, it will be operating limits, The output is undefined.



Application Circuits



KIC73A/B/C/D/E16~50T/T2/M/M2

Typical Characteristics

note : These are typical characteristics

Fig1. Detecting Voltage

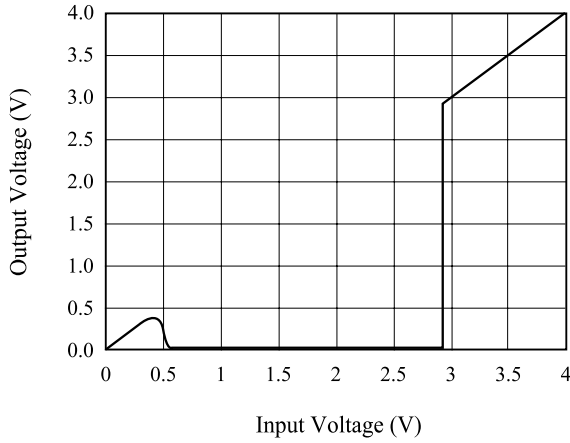


Fig2. Supply Current

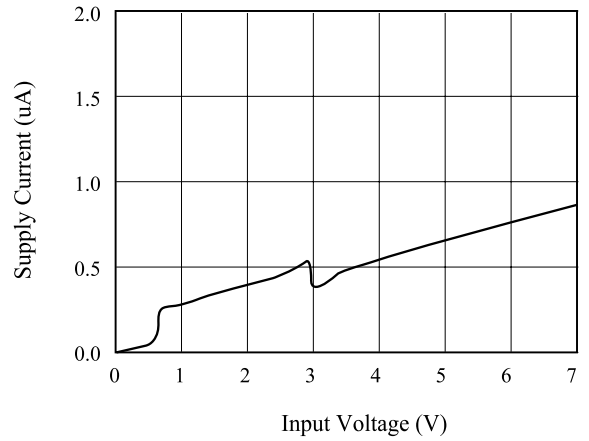


Fig3. Detecting Voltage vs Temperature

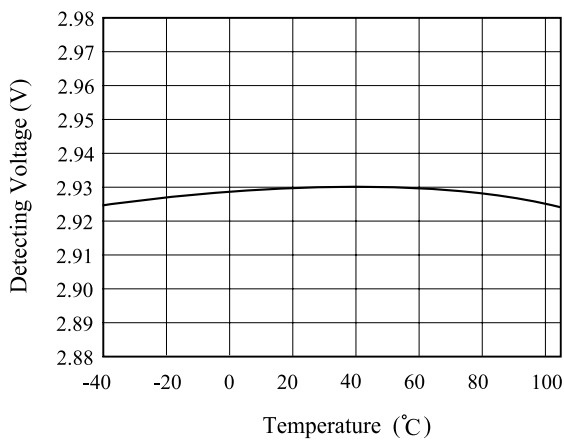


Fig4. Supply Current vs Temperature

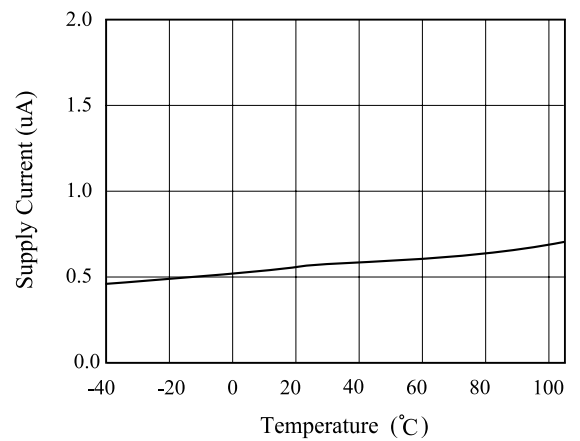


Fig5. Reset Active Timeout Period vs Temperature

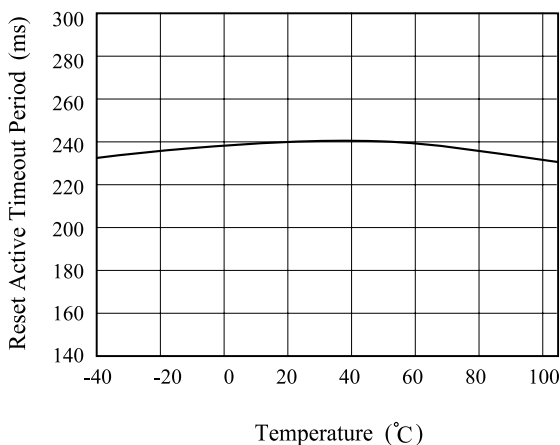


Fig6. V_{DD} to Reset Delay vs Temperature

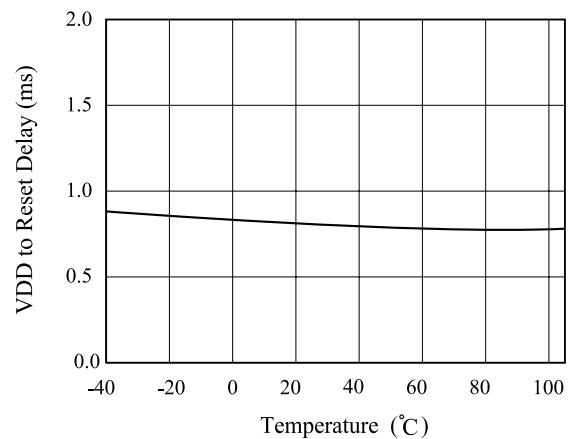


Fig7. "L" Output Voltage vs Temperature

