

Product Brief

SDA 9488X

Single-Chip Multi Standard Picture in Picture IC

The SDA 9488X integrates analog (clamping, ADC, DAC, RGB switch) and digital signal processing (color decoding, decimation, storing, output signal processing, data slicing etc.) on a single silicon.



SDA

Potential Application

The SDA 9488X "PIP IV Basic" is a cost-effective high performance single-chip Picture in Picture IC that requires only a small amount of external components. It is suitable for the following applications:

- TVs for NTSC, PAL and SECAM (all versions each) markets
- Multimedia and security appliances
- Camera monitoring
- Video teleconferencing

Features

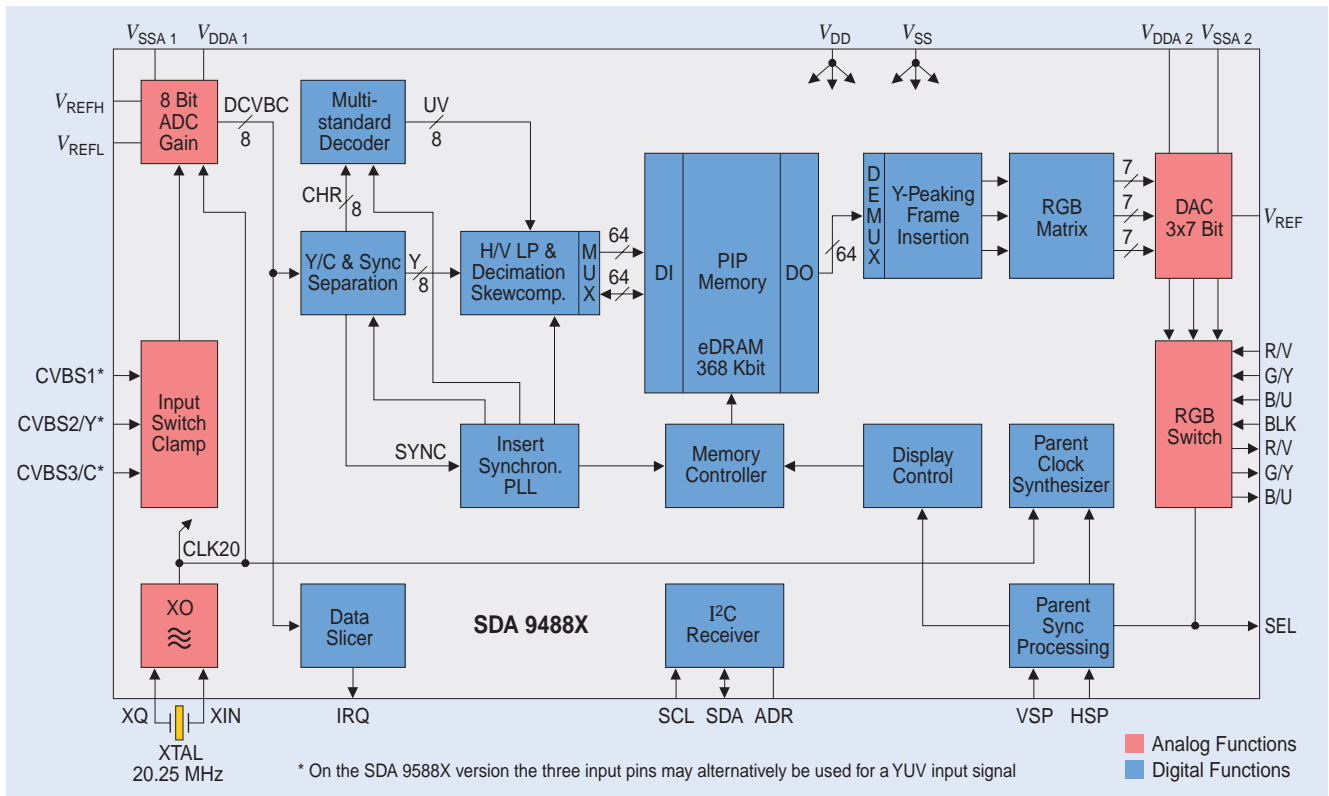
- Picture reduction to 1/9, 1/16 and 1/36 keeping picture resolution vertically and horizontally at highest level
- Freely programmable positioning of subpicture on the main picture as well as POP positioning
- PIP frame control including color, shape and width

- 16:9 compatibility
- Digital signal processing for picture quality optimization
- Three CVBS inputs; at the SDA 9588X version also YUV (or full Y/C) signals may be put to the inputs; analog YUV or RGB output
- Integrated high speed video switch for inserting an external RGB or YUV source onto the screen (e.g. OSD)
- Acquisition and filtering of closed caption and WSS data (e.g. for violence blocking purposes)
- Display on VGA and SVGA screens at correct aspect ratio possible
- Suitable for 100/120 Hz and progressive scan applications
- I²C-Bus control
- 0.35 μm CMOS technology
- 3.3 V supply voltage
- P-DSO-28 package
- Full SDA 9489X compatibility

Development and Support Package

- Data sheet
- Technical articles
- PIP module and interface board for evaluation
- SIMON Software for Windows based PC to control evaluation boards via I²C Bus
- SIMON interface module
- Auto demo package for demonstration
- Driver software for easy and fast implementation of PIP feature in program code

SDA 9488X Block Diagram



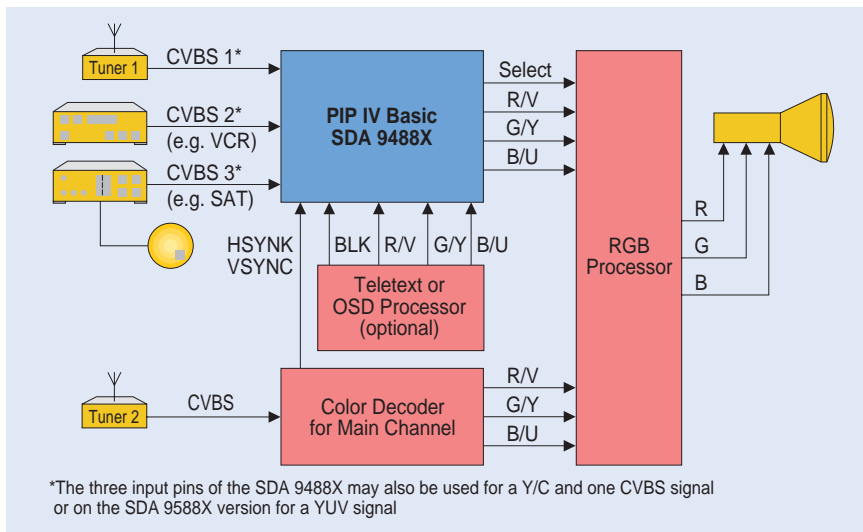
The SDA 9488X integrates different functional blocks on a single chip

- Input video switch
- Signal clamping and 8-Bit AD Converter
- NTSC, PAL, SECAM Chroma decoder
- Decimation logic
- 368 Kbit on-chip memory
- Output signal processing, e.g. peaking
- Digital data slicer
- Triple 7-Bit DA Converter
- RGB/YUV Switch
- SYNC processing/generation and memory control logic

Availability

Samples of the SDA 9488X are available for evaluation with complete documentation. Our highly experienced engineering support team, as well as our worldwide FAE network can assist you with your design in work. Please contact your local Infineon office for further details. Ask for PIP IV driver software to simplify your development work.

SDA 9488X Application Example



How to reach us:
<http://www.infineon.com>

Published by
 Infineon Technologies AG,
 Bereich Kommunikation,
 St.-Martin-Strasse 53,
 D-81541 München
 © Infineon Technologies AG 1999
 All Rights Reserved.

Attention please!

The information herein is given to describe certain components and shall not be considered as warranted characteristics.

Terms of delivery and rights to technical change reserved.

We hereby disclaim any and all warranties, including but not limited to warranties of non-infringement, regarding circuits, descriptions and charts stated herein.

Infineon Technologies is an approved CECC manufacturer.

Information

For further information on technology, delivery terms and conditions and prices please contact your nearest Infineon Technologies Office in Germany or our Infineon Technologies Representatives worldwide (see address list).

Warnings

Due to technical requirements components may contain dangerous substances. For information on the types in question please contact your nearest Infineon Technologies Office.

Infineon Technologies Components may only be used in life-support devices or systems with the express written approval of Infineon Technologies, if a failure of such components can reasonably be expected to cause the failure of that life-support device or system, or to affect the safety or effectiveness of that device or system. Life support devices or systems are intended to be implanted in the human body, or to support and/or maintain and sustain and/or protect human life. If they fail, it is reasonable to assume that the health of the user or other persons may be endangered.