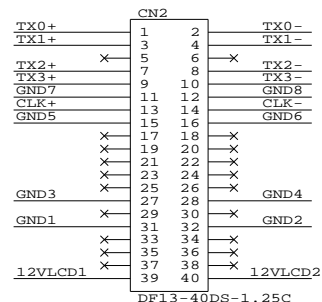
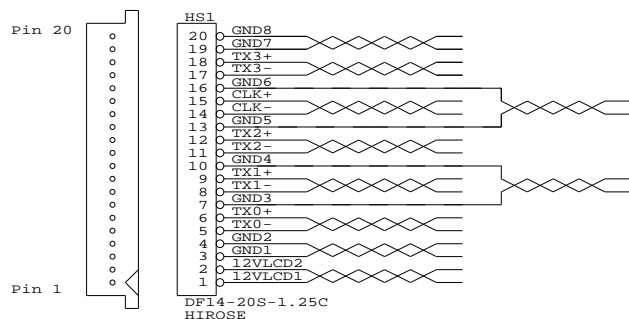


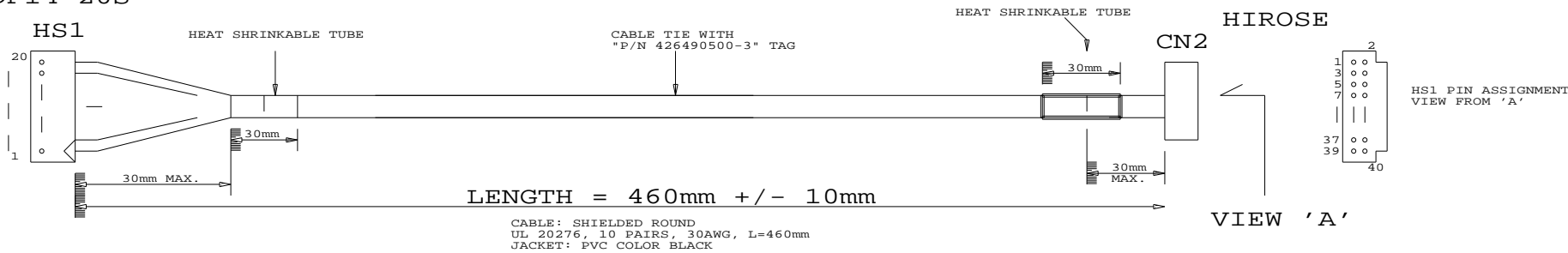
TOLERANCE :  
+1.0mm  
-1.0mm



PANEL SIDE

HIROSE  
DF14-20S

DF-40DS-1.25C  
HIROSE



USAGE:  
CABLE FOR LG LC420W02-A4 PANEL  
(WITH SVH-1920)

P/N 426490500-3  
LVDS PANEL CABLE: LG LC420W02-A4, 460mm

RoHS  
COMPLIANCE

DIGITAL VIEW LTD. COPYRIGHT 2006, ALL RIGHTS RESERVED CONFIDENTIAL		
DRAWN BY: VICTOR NG		
Title	LVDS CABLE: LG LC420W02-A4, 460mm	
Size	Document Number	REV
B	(...\DV\DV_CABLE\C6490500.SCH)	01
Date:	August 29, 2006	Sheet 1 of 1

# Mouser Electronics

Authorized Distributor

Click to View Pricing, Inventory, Delivery & Lifecycle Information:

[Digital View:](#)

[426490500-3](#)