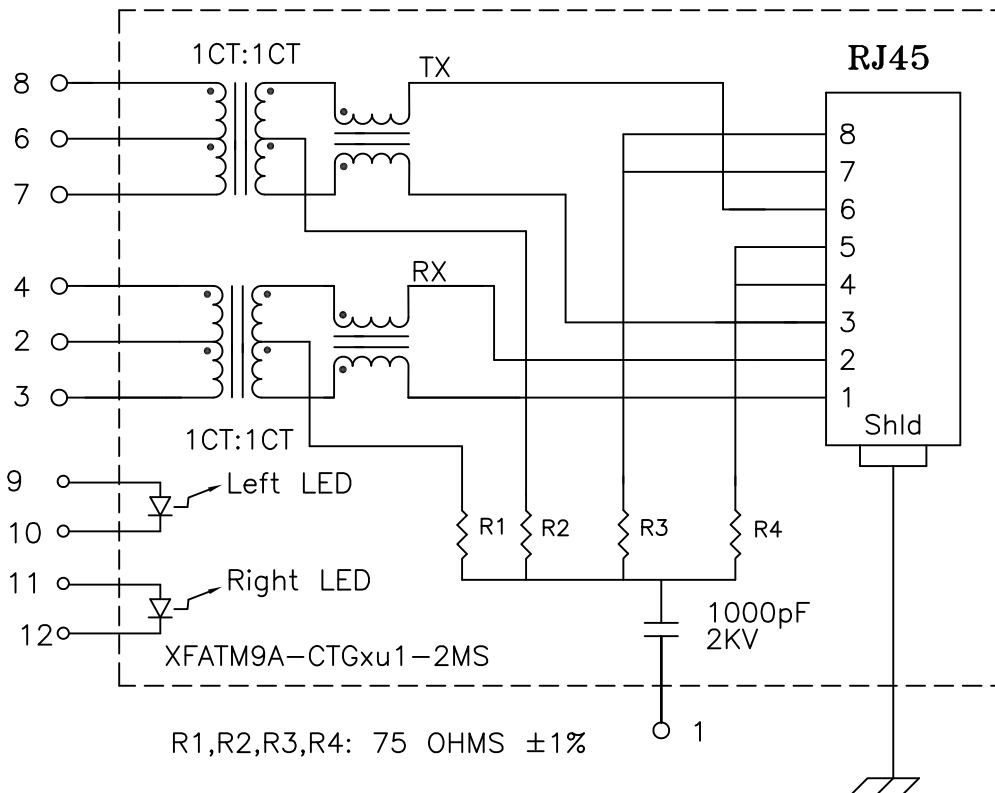


## Schematic:



## Electrical Specifications: @25°C

Isolation Voltage: 1500 Vrms (Input to Output)

Isolation Voltage: 500 Vrms (P2+3+4 to P6+7+8)

Turns Ratio: TX 1CT:1CT ±3% RX 1CT:1CT ±3%

CABLE SIDE OCL: 350uH Minimum @100KHz 100mV 8mADC

Q: 5 Minimum @100KHz 100mV

Cw/w: 27pF Typical @100KHz 100mV

Insertion Loss (300KHz-100MHz): -1.1dB Maximum

Return Loss: @30MHz -18dB Typ

@80MHz -12dB Typ

Complete the Combo P/N as follows:

Replace 'x' & 'u' in the part number with one of the LED color letters:

Y=Yellow

G=Green

A=Amber

R=Red

C=Green(1)/Amber(2) Bicolor

D=Amber(1)/Green(2) Bicolor

M=Green(1)/Yellow(2) Bicolor

N=Yellow(1)/Green(2) Bicolor

P=Red(1)/Green(2) Bicolor

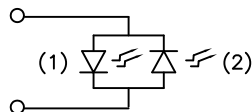
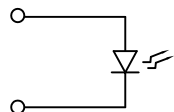
Q=Green(1)/Red(2) Bicolor

'x' = Left LED Color

'u' = Right LED Color

Single Color LED:

Bi-Color LED:



DOC REV: A/3

## Notes:

- Solderability: Leads shall meet MIL-STD-202G, Method 208H for solderability.
- Flammability: UL94V-0
- ASTM oxygen index: > 28%
- UL Recognized Component: File Number E165866
- Operating Temperature Range: All listed parameters are to be within tolerance from -40°C to +85°C
- Storage Temperature Range: -55°C to +125°C
- Aqueous wash compatible
- Electrical and mechanical specifications 100% tested
- RoHS Compliant Component

<b>XFMRs Inc.</b>		Title:	
www.XFMRs.com		<b>SINGLE PORT COMBO 10/100</b>	
UNLESS OTHERWISE SPECIFIED		P/N: XFATM9A-CTGxu1-2MS	REV. A
TOLERANCES:		DWN.	Yuan
.xxx ±0.010		CHK.	YK Liao
Dimensions in Inch		APP.	DDC
SHEET 1 OF 2			Mar-31-14

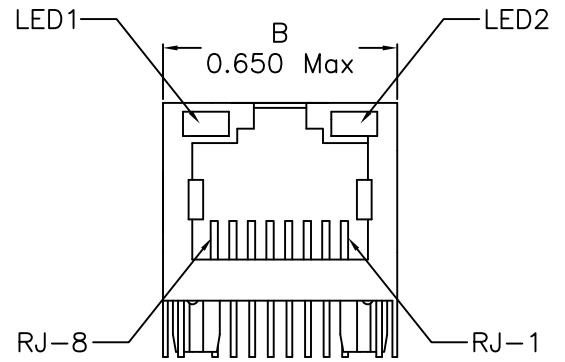
**PROPRIETARY:**

Document is the property of XFMRs Group & is not allowed to be duplicated without authorization.

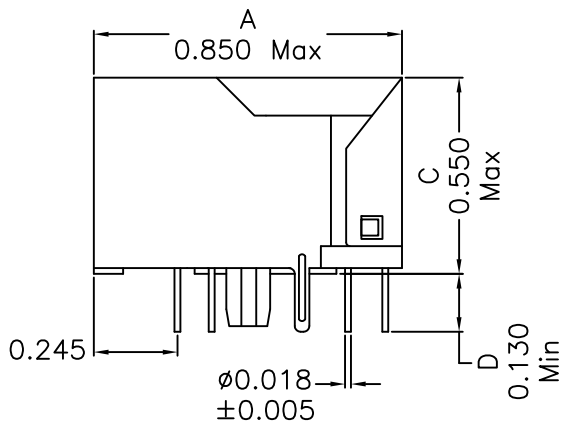
**Mechanical Dimensions:**



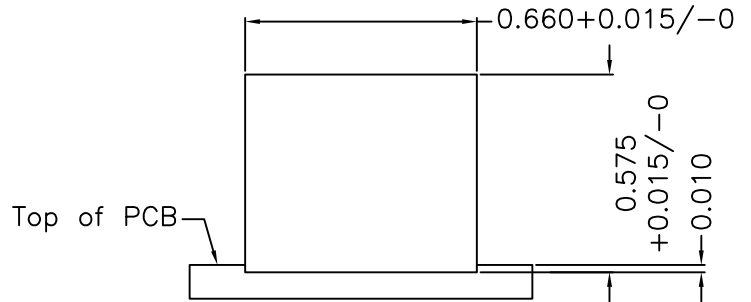
TOP VIEW



FRONT VIEW

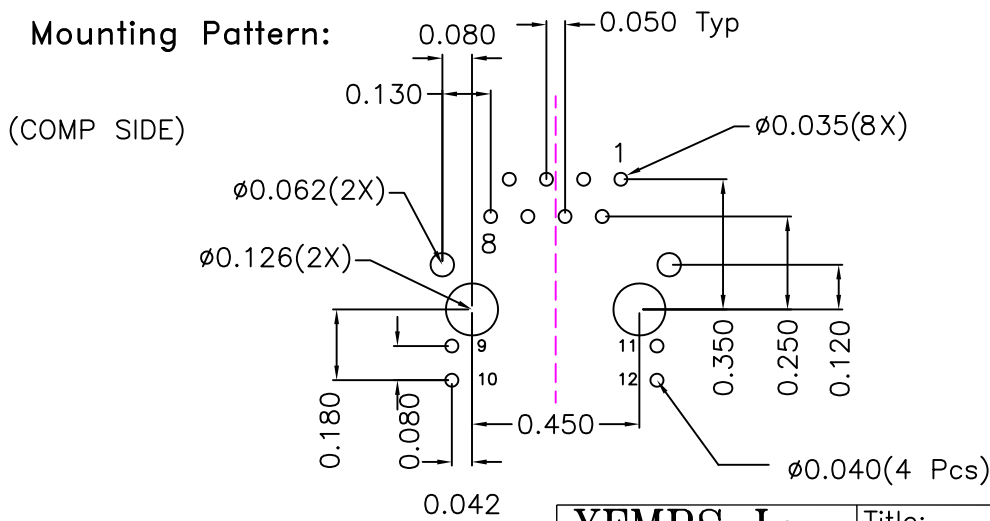


SIDE VIEW



Suggested Panel Cutout

**Mounting Pattern:**



DOC REV: A/3

**XFMRS Inc.**  
www.XFMRS.com

Title:  
0.85" Tab-UP Single part Mechanical

UNLESS OTHERWISE SPECIFIED

P/N: XFATM9A-CTGxu1-2MS

REV. A

TOLERANCES:  
.xxx ±0.010

DWN.

Yuan

Mar-31-14

Dimensions in Inch

CHK.

YK Liao

Mar-31-14

SHEET 2 OF 2

APP.

DDC

Mar-31-14

**PROPRIETARY:**

Document is the property of XFMRS Group & is not allowed to be duplicated without authorization.