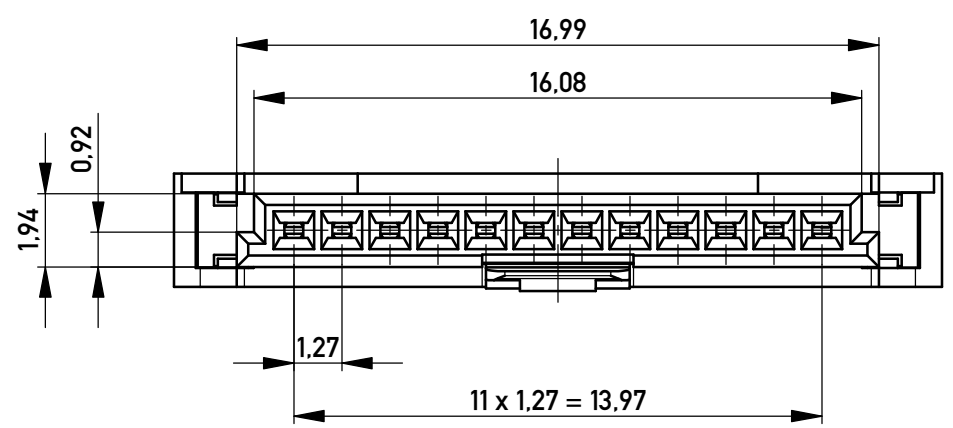


Flachbandkabelführung: rot
wire guide: red

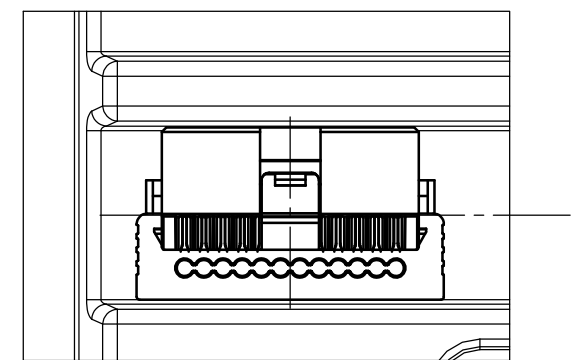
11,4
mit aufgesetzter Drahtführung
(Anlieferungszustand)
with wire guide mounted
(state at time of supply)

3,5
9,2
(Drahtführung verpresst)
(wire guide pressed on)

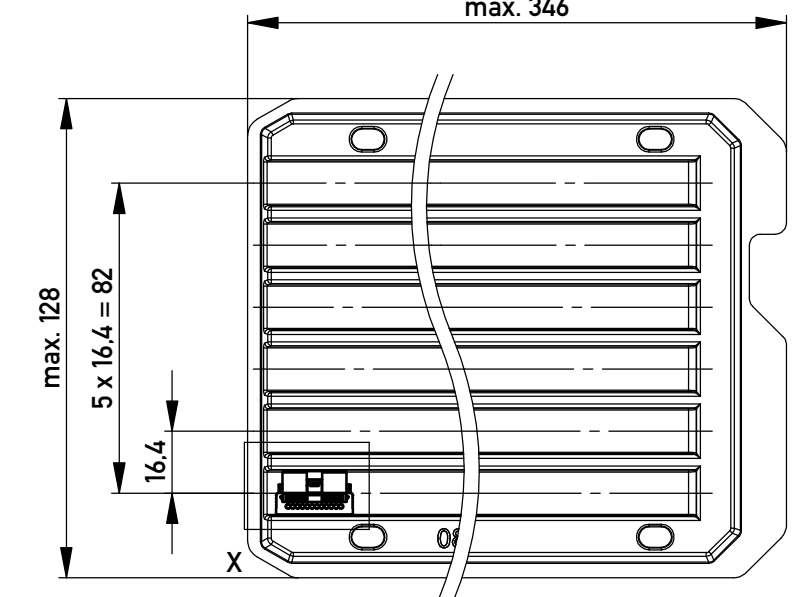
Kontaktbezeichnung
contact marking



Einzelheit X - detail X
M 2:1



Verpackt in Tray - tray packaging
Verpackungseinheit 90 Stück - packaging unit 90 pcs
max. 346



Information: nur mit Hilfsmittel lösbar only with tool unlockable		Tolerances		Scale	5:1
All rights reserved. Only for Information. To ensure that this is the latest version of this drawing, please contact one of the ERNI companies before using.		All Dimensions in mm		Designation	
Copyright by ERNI Production GmbH & Co. KG Proprietary notice pursuant to ISO 16016 to be observed.		Subject to modification without prior notice. Drawing will not be updated.		1,27 SRC P SKV, 12-polig 1,27 SRC P IDC, 12-pin	
a	16.09.2015			100803200051	
Index	Date	www.ERNI.com		K A3	
				Class	SRCP