



ON Semiconductor®

<http://onsemi.com>

LV5749NV

Bi-CMOS LSI

1-channel Step-down Switching Regulator

Application

The LV5749NV is a 1-channel step-down switching regulator.

Functions

- 1 channel step-down switching regulator controller.
- Load-independent soft start circuit.
- ON/OFF function.
- Built-in pulse-by-pulse OCP circuit. It is detected by using ON resistance of an external MOS.
- Synchronous rectification.
- Current mode control.
- Synchronous drive by external signal.

Specifications

Absolute Maximum Ratings at Ta = 25°C

Parameter	Symbol	Conditions	Ratings	Unit
supply voltage	V _{IN} max		45	V
Allowable Power dissipation	P _d max	Mounted on a specified board. *	0.74	W
Operating temperature	T _{opr}		-40 to +85	°C
Storage temperature	T _{stg}		-55 to +150	°C

* : When mounted on the specified printed circuit board (114.3mm × 76.1mm × 1.6mm), glass epoxy

Stresses exceeding Maximum Ratings may damage the device. Maximum Ratings are stress ratings only. Functional operation above the Recommended Operating Conditions is not implied. Extended exposure to stresses above the Recommended Operating Conditions may affect device reliability.

Recommended Operating Range at Ta = 25°C

Parameter	Symbol	Conditions	Ratings	Unit
Supply voltage range	V _{IN}		8.5 to 42	V
Error amplifier input voltage			0 to 1.6	V

LV5749NV

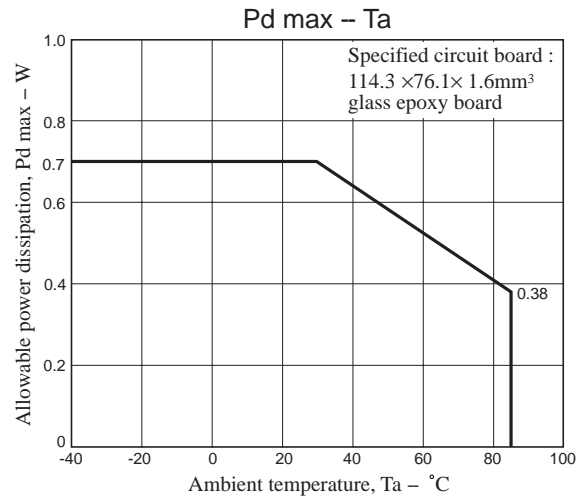
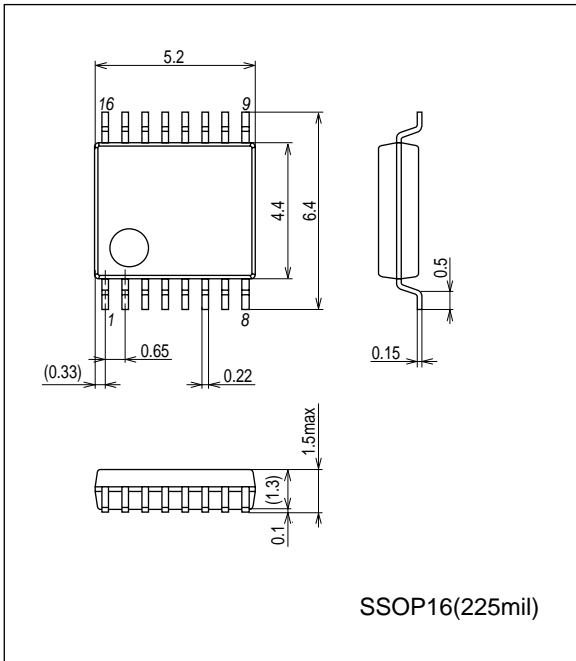
Electrical Characteristics at $T_a = 25^\circ\text{C}$, $V_{IN} = 12\text{V}$

Parameter	Symbol	Conditions	Ratings			Unit
			min	typ	max	
Reference voltage block						
Internal reference voltage	V_{ref}	Including offset of E/A	0.654	0.67	0.686	V
5V power supply	V_{DD}	$I_{OUT} = 0$ to 5mA	4.7	5.2	5.7	V
Triangular waveform oscillator block						
Oscillation frequency	F_{OSC}	$RT = 220k\Omega$	110	125	140	kHz
Frequency variation	$F_{OSC DV}$	$V_{IN} = 8.5$ to 42V		1		%
ON/OFF circuit block						
IC start-up voltage	$V_{EN on}$		2.5	3.0	3.5	V
IC off voltage	$V_{EN off}$		1.1	1.3	1.5	V
Soft start circuit block						
Soft start source current	$I_{SS SC}$	$EN > 3.5\text{V}$	4	5	6	μA
Soft start sink current	$I_{SS SK}$	$EN < 1\text{V}$, $V_{DD}=5\text{V}$		2		mA
UVLO circuit block						
UVLO lock release voltage	V_{UVLO}		7.5	8.0	8.5	V
UVLO hysteresis	$V_{UVLO H}$			0.7		V
OCP circuit block						
OCP charge current	I_{OCP}			5		μA
Error amplifier						
Input bias current	$I_{EA IN}$				100	nA
Error amplifier transconductance	G_{EA}		1000	1400	1800	$\mu\text{A/V}$
Sink output current	$I_{EA OSK}$	$FB = 1.0\text{V}$		-100		μA
Source output current	$I_{EA OSC}$	$FB = 0\text{V}$		100		μA
Current detection amplifier gain	G_{ISNS}			1.5		
Over current limiter circuit block						
Reference current 1	I_{LIM1}	$MODE = L (GND)$	-10%	18.5	+10%	μA
Reference current 2	I_{LIM2}	$MODE = H (V_{IN})$	-10%	37.0	+10%	μA
Over current detection comparator offset voltage	$V_{LIM OFS}$		-5		+5	mV
Over current detection comparator common mode input range			$V_{IN}-0.45$		V_{IN}	V
PWM comparator						
Input threshold voltage ($f_{osc} = 125\text{kHz}$)	$V_t \text{ max}$	Duty cycle = DMAX	0.9	1.0	1.1	V
	$V_t 0$	Duty cycle = 0%	0.4	0.5	0.6	V
Maximum ON duty	DMAX		80	85	90	%
Output block						
Output stage ON resistance (the upper side)	R_{ONH}			5		Ω
Output stage ON resistance (the under side)	R_{ONL}			5		Ω
Output stage ON current (the upper side)	I_{ONH}		240			mA
Output stage ON current (the under side)	I_{ONL}		240			mA
The whole device						
Standby current	I_{CCS}	$EN < 1\text{V}$			10	μA
Mean consumption current	I_{CCA}	$EN > 3.5\text{V}$		3		mA

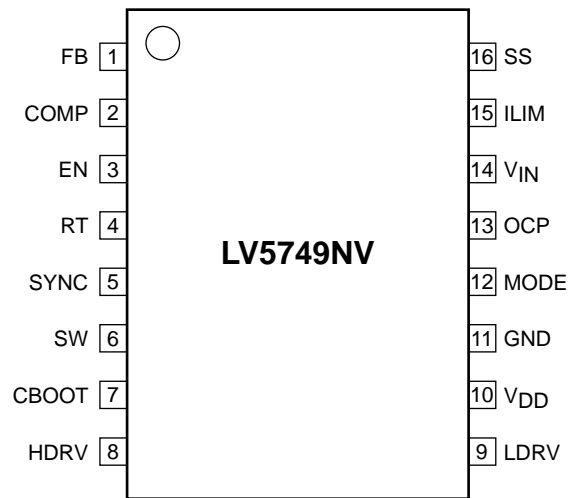
LV5749NV

Package Dimensions

unit : mm (typ)
3178B



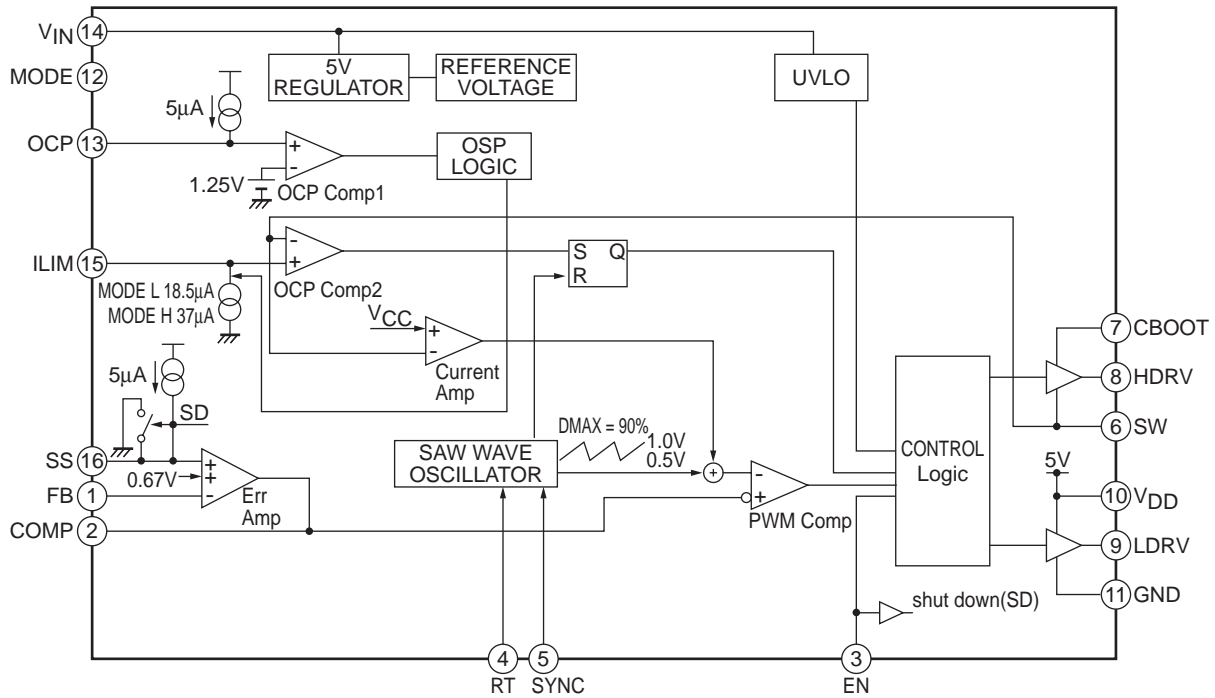
Pin Assignment



Top view

LV5749NV

Block Diagram



Pin Function

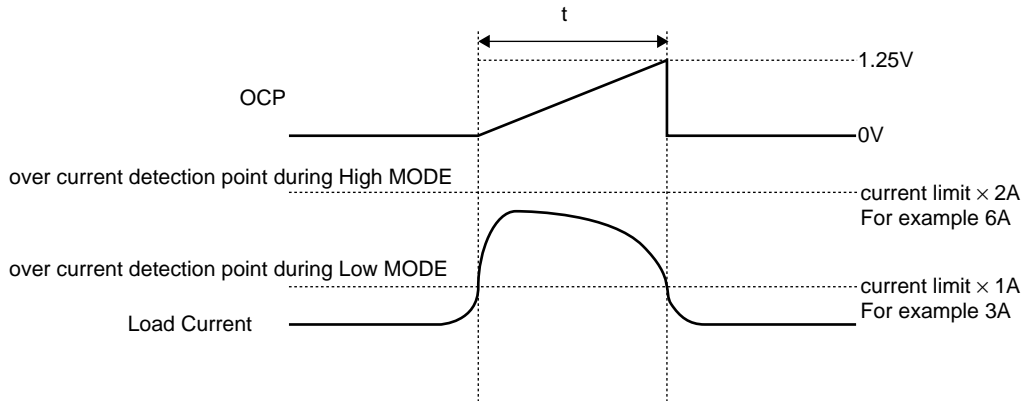
Pin No.	Pin name	Description
14	V _{IN}	Power supply pin. This pin is monitored by UVLO function. When the voltage of this pin becomes 7.7V or more by UVLO function, The IC starts and the soft start function operates.
11	GND	Ground pin. Each reference voltage is based on the voltage of the ground pin.
10	V _{DD}	Power supply pin for an external the lower MOS-FET gate drive.
7	CBOOT	Bootstrap capacity connection pin. This pin becomes a GATE drive power supply of an external NchMOSFET. Connect a bypath capacitor between CBOOT and SW.
6	SW	Pin to connect with switching node. The source of NchMOSFET connects to this pin.
5	SYNC	External synchronous signal input pin.
9	LDRV	An external the lower MOSFET gate drive pin.
8	HDRV	An external the upper MOSFET gate drive pin.
1	FB	Error amplifier reverse input pin. By operating the converter, the voltage of this pin becomes 0.67V. The voltage in which the output voltage is divided by an external resistance is applied to this pin.
2	COMP	Error amplifier output pin. Connect a phase compensation circuit between this pin and GND.
16	SS	Pin to connect a capacitor for soft start. A capacitor for soft start is charged by using the voltage of about 5µA. This pin ends the soft start period by using the voltage of about 1.1V and the frequency fold back function becomes active.
15	ILIM	Reference current pin for current detection. The sink current of about 20µA flows to this pin when Low level (GND) is set to the MODE pin. Also, the sink current of about 40µA flows to this pin when High level (V _{IN}) is set to the MODE pin. When a resistance is connected between this pin and V _{IN} outside and the voltage applied to the SW pin is lower than the voltage of the terminal side of the resistance, the upper NchMOSFET is off by operating the current limiter comparator. This operation is reset with respect to each PWM pulse.
3	EN	ON/OFF pin.
13	OCP	Pin to set the time of the timer (during double the over current detection point) Connect a capacitor between this pin and GND. OCP charge current : 5µA
4	RT	Pin to set the oscillation frequency. Connect a resistance between this pin and GND.
12	MODE	Pin to switch the over current detection point. Set by the low level (GND) of the ILIM pin. Set by the high level (V _{IN}) of the OCP pin. When this MODE pin is set to the high level and the point of the over current detection is set by using the ILIM pin is exceeded, the value becomes double the original value. Also, when the MODE pin is set to the low level, the point of the over current detection remains an original value.

Timing Chart

When the MODE pin is set to the high level and the point of the over current detection is set by using the ILIM pin is exceeded, the value becomes double the original value.

Also, when the MODE pin is set to the low level, the point of over current detection remains an original value.

Timing chart of the over current detection point switching is as below.



Setting Chart

1. Output voltage setting

- Setting of the output voltage VOUT is as follows.

$$V_{OUT} = 1 + \frac{R4}{R3} \times V_{REF} = 1 + \frac{R4}{R3} \times 0.67(\text{typ}) \text{ [V]}$$

2. Soft Start setting

- Setting of capacitor C5 is as follows.

$$C5 = \frac{I_{ss} \times T_{ss}}{V_{REF}} = \frac{5\mu \times T_{ss}}{0.67} \text{ [F]}$$

I_{ss} : Charge current value.

T_{ss} : Soft Start time

3. OCP Timer setting

- Setting of OCP timer capacitor C11 is as follows.

$$C11 = \frac{I_{ocp} \times T_{ocp}}{V_{ocp \text{ comp1}}} = \frac{5\mu \times T_{ocp}}{1.3} \text{ [F]}$$

I_{ocp} : Charge current value.

T_{ocp} : OCP time

4. Current limiter setting

- Setting of the current limiter set resistance R5 is as follows.

$$R5 = \frac{R_{dson} \times I_{out}}{I_{lim}} = \frac{R_{dson} \times I_{L \text{ max}}}{18.5\mu} \text{ [\Omega]}$$

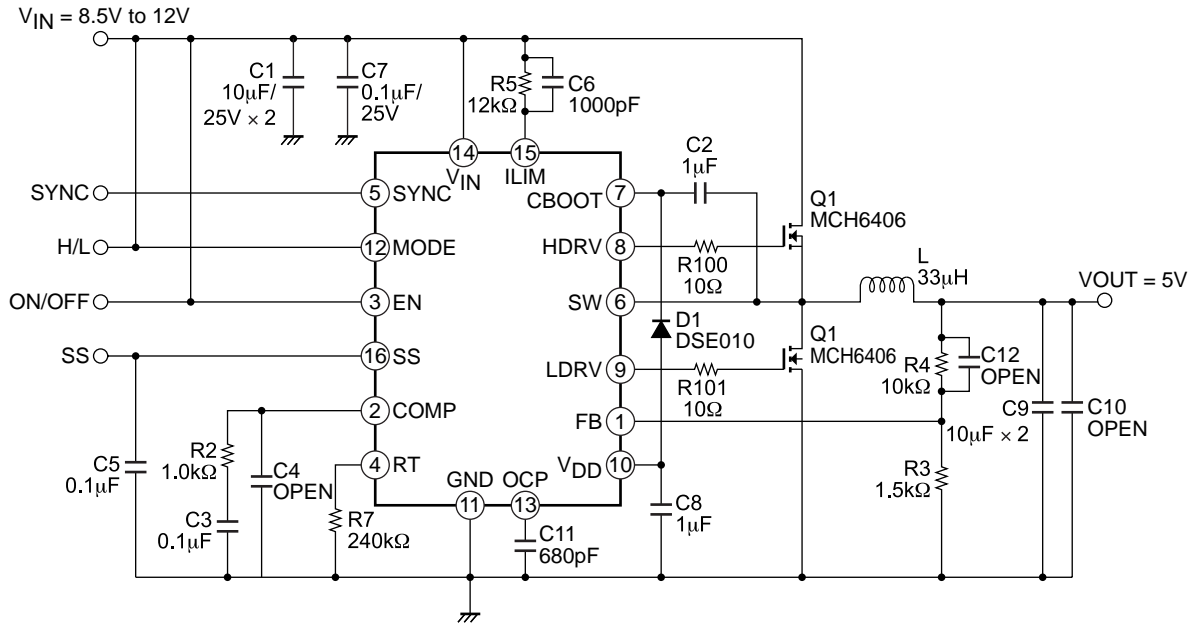
I_{lim} : ILIM current value.

I_L : inductance current value

R_{dson} : ON resistance value between Q1 drain-sources.

LV5749NV

Sample Application Circuit



ON Semiconductor and the ON logo are registered trademarks of Semiconductor Components Industries, LLC (SCILLC). SCILLC owns the rights to a number of patents, trademarks, copyrights, trade secrets, and other intellectual property. A listing of SCILLC's product/patent coverage may be accessed at www.onsemi.com/site/pdf/Patent-Marking.pdf. SCILLC reserves the right to make changes without further notice to any products herein. SCILLC makes no warranty, representation or guarantee regarding the suitability of its products for any particular purpose, nor does SCILLC assume any liability arising out of the application or use of any product or circuit, and specifically disclaims any and all liability, including without limitation special, consequential or incidental damages. "Typical" parameters which may be provided in SCILLC data sheets and/or specifications can and do vary in different applications and actual performance may vary over time. All operating parameters, including "Typicals" must be validated for each customer application by customer's technical experts. SCILLC does not convey any license under its patent rights nor the rights of others. SCILLC products are not designed, intended, or authorized for use as components in systems intended for surgical implant into the body, or other applications intended to support or sustain life, or for any other application in which the failure of the SCILLC product could create a situation where personal injury or death may occur. Should Buyer purchase or use SCILLC products for any such unintended or unauthorized application, Buyer shall indemnify and hold SCILLC and its officers, employees, subsidiaries, affiliates, and distributors harmless against all claims, costs, damages, and expenses, and reasonable attorney fees arising out of, directly or indirectly, any claim of personal injury or death associated with such unintended or unauthorized use, even if such claim alleges that SCILLC was negligent regarding the design or manufacture of the part. SCILLC is an Equal Opportunity/Affirmative Action Employer. This literature is subject to all applicable copyright laws and is not for resale in any manner.