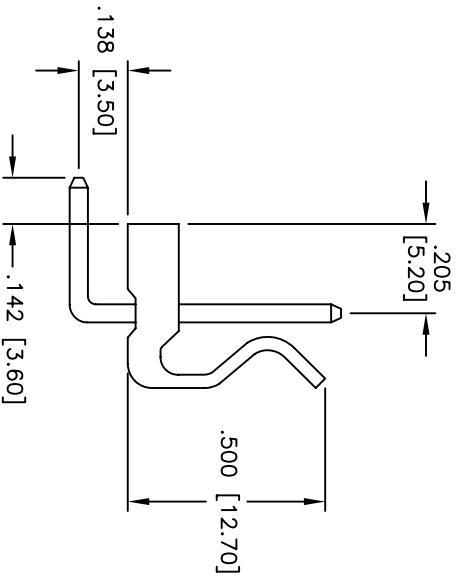
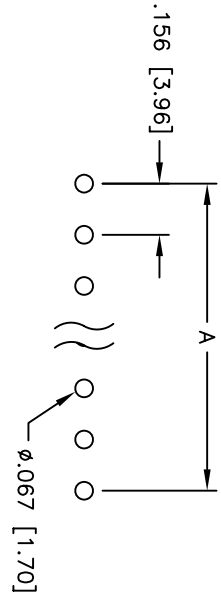
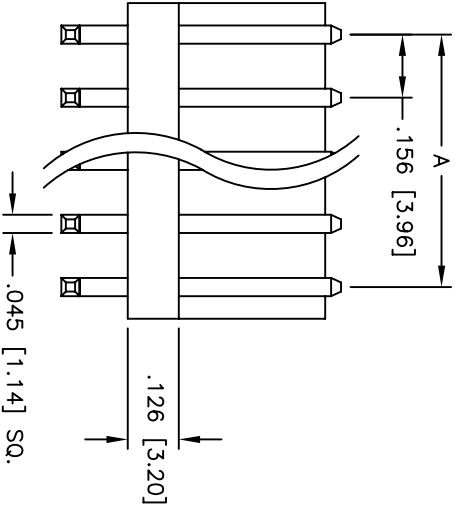
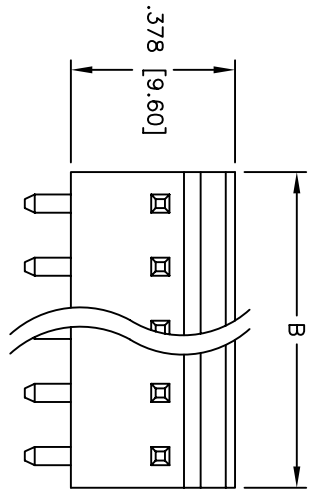


Rev	AWO #	Description	Date	Appr
-		RELEASED	4/12/05	

APPROVED: _____
 DATE: _____ TITLE: _____



SPECIFICATIONS:
 Material: Nylon 66, rated UL 94V-2
 Insulator color: White
 Contacts: Brass
 Plating: Tin over Copper underplate overall

Electrical:
 Operating voltage: 250V AC max
 Current rating: 5 Amps max
 Contact resistance: 10 mohms max
 Insulation resistance: 1,000 Mohms min
 Dielectric withstanding voltage: 1,500 VAC for 1 minute
 Temperature Rating: Operating temperature: -25°C to +85°C
 Environmental: Lead free, RoHS compliant
 Recommended soldering temp: 235°C for 5 seconds



Positions: 2 thru 20
 A = .156 [3.96] x No. of Positions - 1
 B = .156 [3.96] x No. of positions

UNLESS OTHERWISE SPECIFIED
 ALL DIMENSIONS ARE INCHES [MM]
 TOLERANCES: EXCEPT AS NOTED

INCHES	HOLES
.X ± .10	ØX ± .10
.XX ± .020	ØXXX ± .015
.XXX ± .015	ØXXX ± .010

APPROVALS	DATE

DRAWN	SS	DATE
		4/12/05

CHECKED	

APPROVED	

ADAM TECH
 909 Railway Avenue, Union, NJ 07083
 Phone: 908-687-5000 Fax: 908-687-5710

TITLE: .156 [3.96] POWER HEADER
 RIGHT ANGLE, WITH LOCK POLARIZER

SIZE	PART NO.	REV.
X	LHB-XX-SB1	-

SCALE: NTS SHEET 1 OF 1

6 5 4 3 2 1