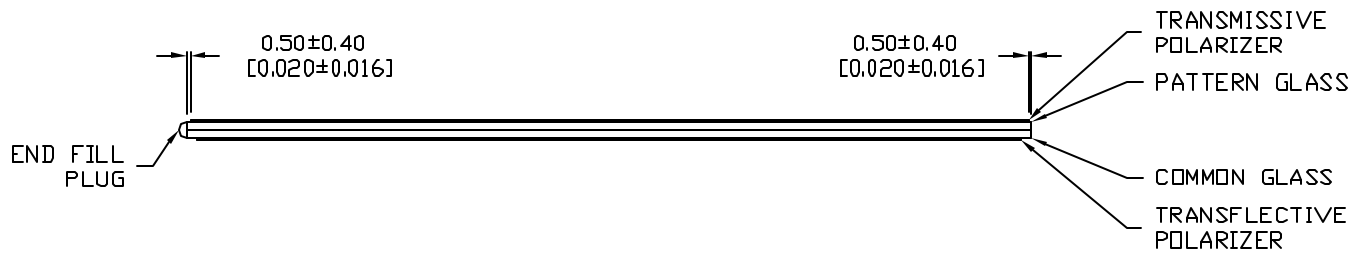
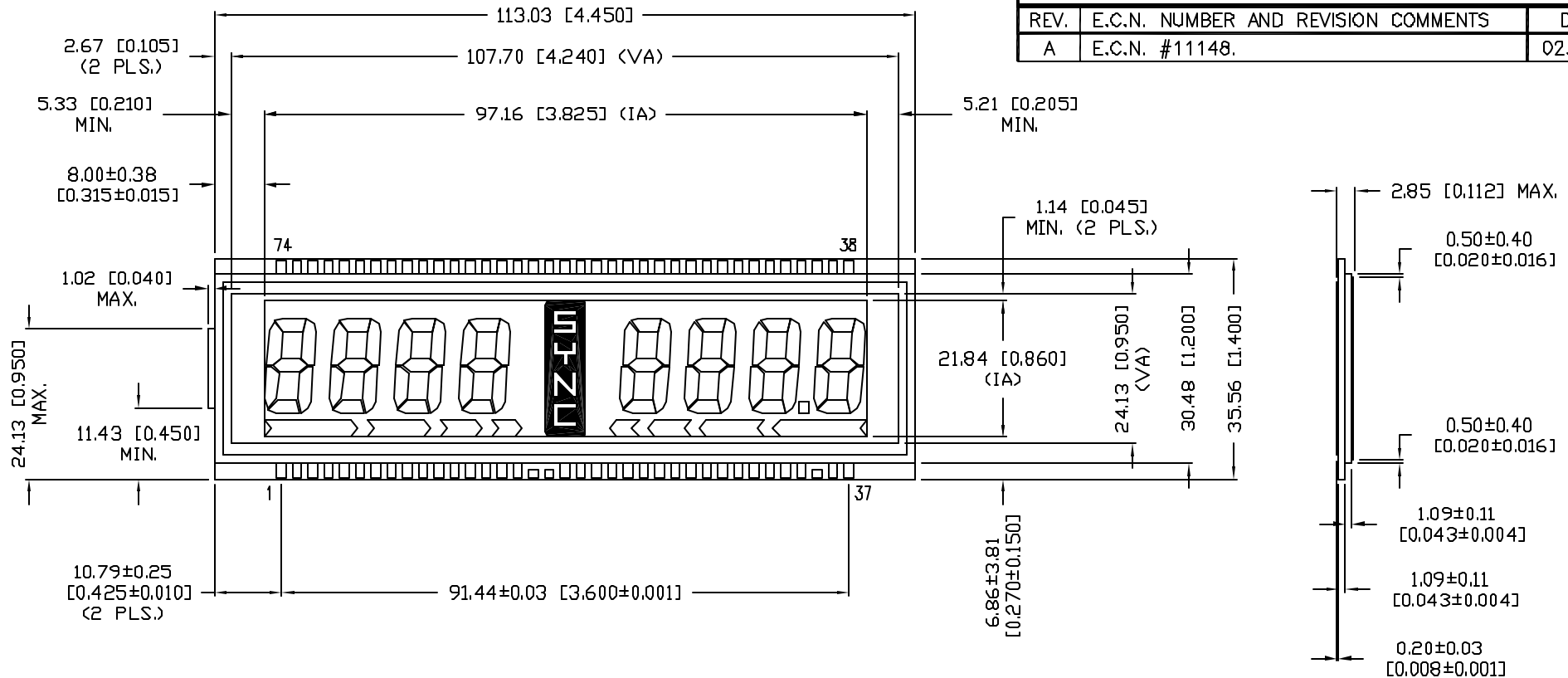


UNCONTROLLED DOCUMENT

PART NUMBER		REV.
LCD-H60C801TF-1E		A
REV.	E.C.N. NUMBER AND REVISION COMMENTS	DATE
A	E.C.N. #11148.	02.06.07



UNCONTROLLED DOCUMENT

\*UNLESS OTHERWISE SPECIFIED TOLERANCES PER DECIMAL PRECISION ARE: X=±1 (±0.039), XX=±0.5 (±0.020), XXX=±0.25 (±0.010), XXXX=±0.127 (±0.005). LEAD SIZE=±0.05 (±0.002), LEAD LENGTH=±0.75 (±0.030). MIN= +DECIMAL PRECISION -0.00 MAX.= +0.00 -DECIMAL PRECISION

REV.	PART NUMBER
A	LCD-H60C801TF-1E
CUSTOM 8 DIGIT LCD GLASS, HIGH OPERATING TEMP, TN, TRANSFLECTIVE, TOP VIEW, NO PINS.	

**CONFIDENTIAL INFORMATION**  
 THE INFORMATION CONTAINED IN THIS DOCUMENT IS THE PROPERTY OF LUMEX INC. EXCEPT AS SPECIFICALLY AUTHORIZED IN WRITING BY LUMEX INC., THE HOLDER OF THIS DOCUMENT SHALL KEEP ALL INFORMATION CONTAINED HEREIN CONFIDENTIAL AND SHALL PROTECT SAME IN WHOLE OR IN PART FROM DISCLOSURE AND DISSEMINATION TO ALL THIRD PARTIES.

**RELIABILITY NOTE**  
 OUR MANY YEARS OF EXPERIENCE DATA ACCUMULATION INDICATE THAT SOLDER HEAT IS A MAJOR CAUSE OF EARLY AND FUTURE FAILURE. PLEASE PAY ATTENTION TO YOUR SOLDERING PROCESS.

290 E. HELEN ROAD  
 PALATINE, IL 60067-6976  
 PHONE: +1.847.359.2790  
 US WEB: www.lumex.com  
 TW WEB: www.lumex.com.tw

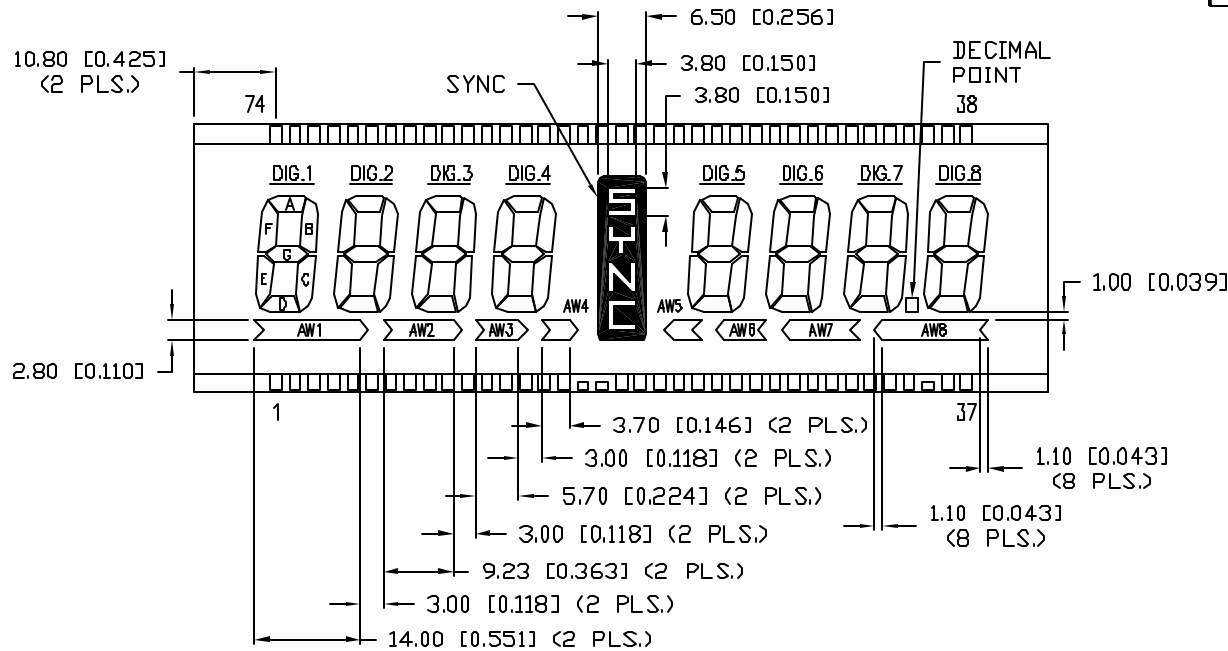
DRAWN BY:	CHECKED BY:	APPROVED BY:	DATE:
jc			11.13.98
			PAGE: 1 OF 1
			SCALE: N/A



PART NUMBER  
LCD-H60C801TF-1E

REV.  
A

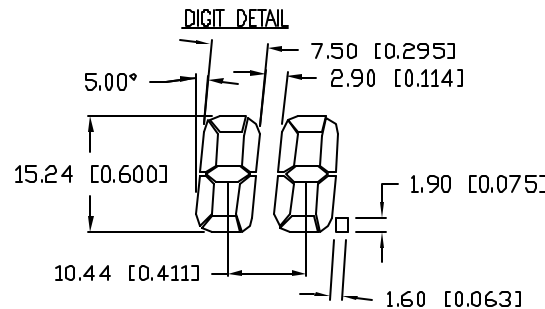
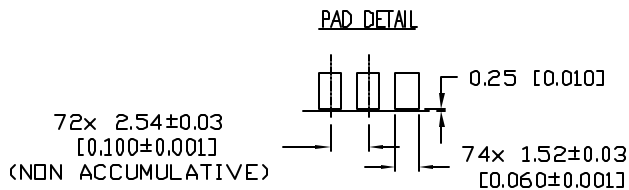
REV.	E.C.N. NUMBER AND REVISION COMMENTS	DATE
A	SE PAGE #1	



PIN NO.	1	2	3	4	5	6	7	8	9	10
SEGMENT	COM	3F	3G	AW2	3E	3D	3C	3B	AW3	3A
PIN NO.	11	12	13	14	15	16	17	18	19	20
SEGMENT	4D	4C	AW4	4C	4B	SYNC	N/C	N/C	AW5	AW6
PIN NO.	21	22	23	24	25	26	27	28	29	30
SEGMENT	7F	7G	AW7	7E	7D	7C	7B	AWB	DP	7A
PIN NO.	31	32	33	34	35	36	37	38	39	40
SEGMENT	8D	8C	8G	8B	N/C	COM	COM	COM	8A	8F
PIN NO.	41	42	43	44	45	46	47	48	49	50
SEGMENT	8E	8C	8B	8A	8F	6G	6E	6D	5B	5A
PIN NO.	51	52	53	54	55	56	57	58	59	60
SEGMENT	5F	5G	5E	5D	5C	4A	4F	4E	2C	2B
PIN NO.	61	62	63	64	65	66	67	68	69	70
SEGMENT	2A	2F	2G	2E	2D	1B	1A	1F	1G	1E
PIN NO.	71	72	73	74						
SEGMENT	1D	1C	AW1	COM						

COM= COMMON  
AW#= ARROW #  
DP= DECIMAL POINT  
N/C= NO CONNECTION

CHARACTERISTICS	
FLUID TYPE:	TN
BACKGROUND COLOR:	GRAY
VIEWING DIRECTION:	12:00
DISPLAY MODE:	TRANSFLECTIVE
OPERATING VOLTAGE:	5.0 V
OPERATING TEMP.	-30°C TO 75°C
STORAGE TEMP.	-40°C TO 80°C
DRIVING METHODE:	STATIC
CONNECTION TYPE:	74 PADS



REV.  
A

PART NUMBER  
LCD-H60C801TF-1E

CUSTOM 8 DIGIT LCD GLASS, HIGH OPERATING TEMP,  
TN, TRANSFLECTIVE, TOP VIEW, NO PINS.

**CONFIDENTIAL INFORMATION**  
THE INFORMATION CONTAINED IN THIS DOCUMENT IS THE PROPERTY OF LUMEX INC. EXCEPT AS SPECIFICALLY AUTHORIZED IN WRITING BY LUMEX INC., THE HOLDER OF THIS DOCUMENT SHALL KEEP ALL INFORMATION CONTAINED HEREIN CONFIDENTIAL AND SHALL PROTECT SAME IN WHOLE OR IN PART FROM DISCLOSURE AND DISSEMINATION TO ALL THIRD PARTIES.

**RELIABILITY NOTE**  
OUR MANY YEARS OF EXPERIENCE DATA ACCUMULATION INDICATE THAT SOLDER HEAT IS A MAJOR CAUSE OF EARLY AND FUTURE FAILURE. PLEASE PAY ATTENTION TO YOUR SOLDERING PROCESS.



290 E. HELEN ROAD  
PALATINE, IL 60067-6976  
PHONE: +1.847.359.2790  
US WEB: www.lumex.com  
TW WEB: www.lumex.com.tw

DRAWN BY: JC	CHECKED BY:	APPROVED BY:	DATE: 11.13.98
			PAGE: 1 OF 1
			SCALE: N/A