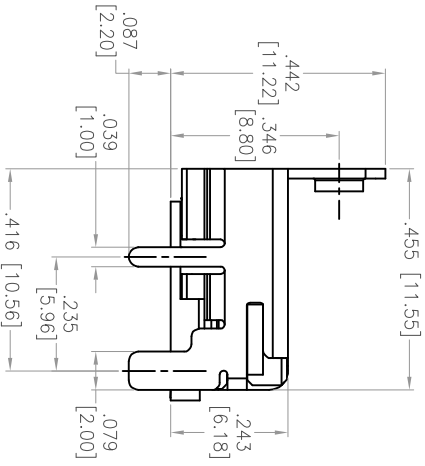
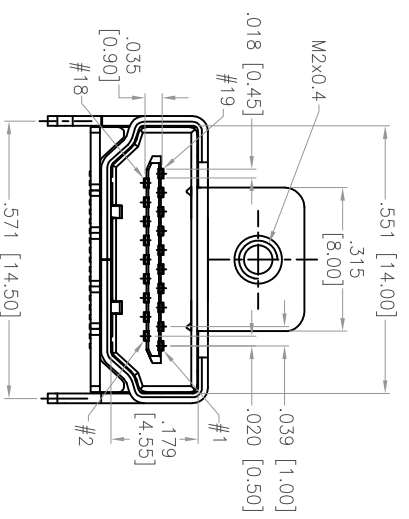
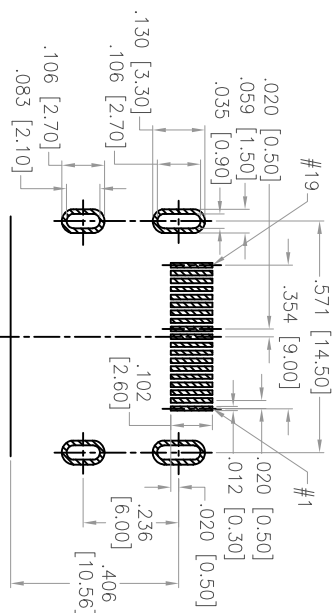
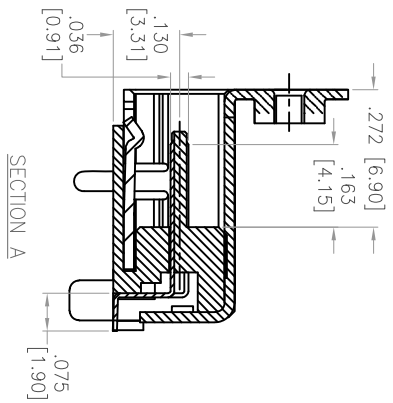
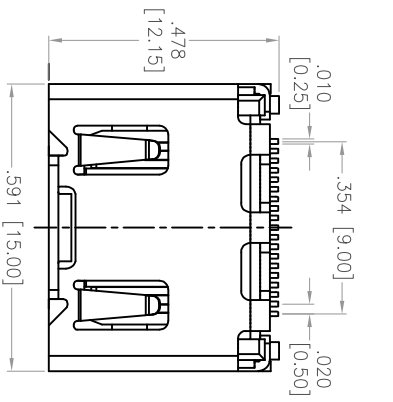


Rev	AWO #	Description	Date	Appr
-		RELEASED	12/3/13	SS

APPROVED: _____
 DATE: _____ TITLE: _____



SPECIFICATIONS:

- Material: Insulator: Hi-Temp Thermoplastic, rated UL 94V-0
- Insulator color: Black
- Contacts: Brass
- Shield: Brass, Nickel plated
- Plating: Gold over Nickel underplate on contact area, Tin over Copper underplate on Solder tails.
- Electrical:
 - Operating voltage: 40V AC/DC
 - Current rating: 0.5A DC Max.
 - Contact resistance: 30 Mohms max
 - Insulation resistance: 100 Mohms min @ 500 VDC
 - Dielectric withstanding voltage: 500 VAC for 1 minute
- Mechanical:
 - Temperature Rating: Operating temperature: -25°C to +85°C
 - Environmental: Lead free, RoHS compliant.

PACKAGED ON TAPE & REEL

UNLESS OTHERWISE SPECIFIED ALL DIMENSIONS ARE INCHES [MM]	
TOLERANCES: EXCEPT AS NOTED	
INCHES	HOLES
.X ± .10	Ø.X ± .10
.XX ± .020	Ø.XX ± .015
.XXX ± .015	Ø.XXX ± .010
APPROVALS	
DRAWN	HR
CHECKED	TW
APPROVED	SS

ADAM TECH
 909 Ratway Avenue, Union, NJ 07083
 Phone: 908-687-5000 Fax: 908-687-5710

TITLE: HDMI CONNECTOR, RIGHT ANGLE, SURFACE MOUNT, NO PEG, FLANGE

SIZE	PART NO.	REV.
X	A111929-A-05-R	-
REF:	S00097C	SHEET 1 OF 2

