

# Data Sheet



Helping Engineer the Technology of Power

**ICE Components, Inc.**

Tel 678-560-9172 Fax 678-560-9304

cust.serv@icecomp.com

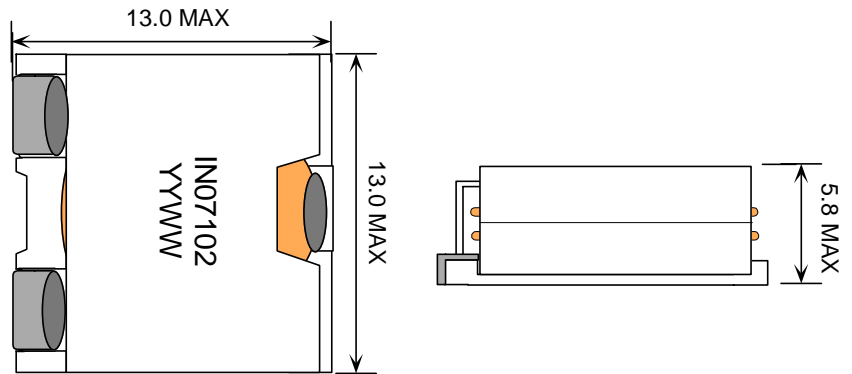
www.icecomponents.com

1165 Allgood Rd., Ste. #20, Marietta, GA 30062

## General Information

<b>Customer</b>	
<b>Part Number</b>	IN07102
<b>Revision</b>	0
<b>Description</b>	Inductor
<b>Date</b>	AUG-07-2009
<b>Reference</b>	--
<b>Doc Control #</b>	--
<b>Issue(For ICE use only)</b>	--

## Mechanical Drawing



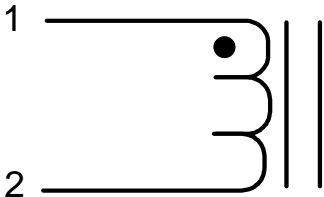
unit:mm

## Specification

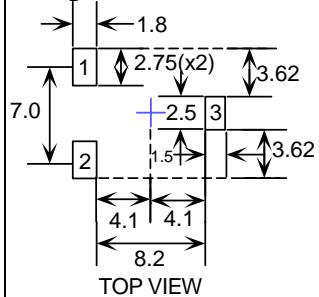
## Sample Test Data

Item	Pins	Spec	Test Condition	Sample Test Data
Inductance	1 - 2	0.6 uH +/- 15%	100 kHz, 1Vrms, series (0Adc)	
DCR	1 - 2	1.5 mOhm max	+25 deg C	
I Rated	1 - 2	23 Adc max		

## Schematic

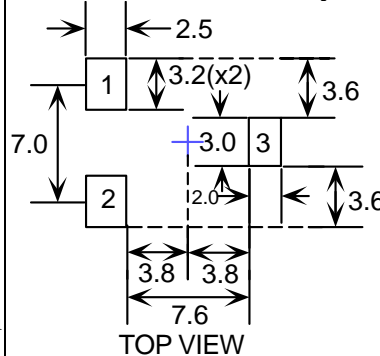


## Footprint



unit:mm

## Recommended PCB Layout



unit:mm

## Remark

1. Operating temperature range: -20degC to +115degC. (Ambient 70degC max)
2. This is RoHS compliant product.
3. I Rated DC Current that cause the Delta L <20% and Delta T <45degC.

Sample approval is required before release to production. Sample specifications take precedence over customer specifications.

Customer Signature

Rev.	Description	PRD	CHK	APP	Date	NTFY
0	Initial release	Emily	Gary	L. L. Chou	2009/8/7	2009/8/7