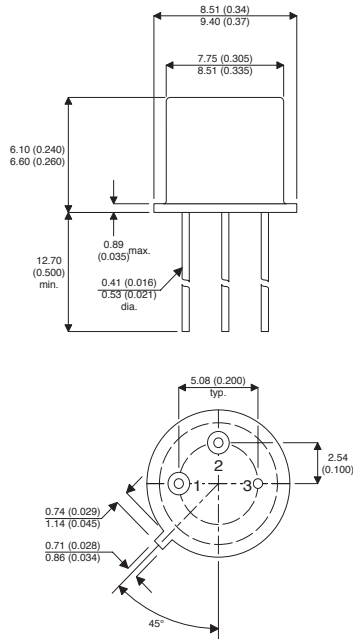


Dimensions in mm (inches).



**TO39 (TO205AD)
PINOUTS**

1 – Emitter 2 – Base 3 – Collector

**Bipolar NPN Device in a
Hermetically sealed TO39
Metal Package.**

Bipolar NPN Device.

$$V_{CEO} = 40V$$

$$I_C = 1A$$

All American Microsemiconductor products can be processed in accordance with the requirements of JAN, JANTX AND JANTXV hermetically sealed products.

Parameter	Test Conditions	Min.	Typ.	Max.	Units
V_{CEO}^*				40	V
$I_{C(CONT)}$				1	A
h_{FE}	@ 10/0.15 (V_{CE} / I_C)	100		300	-
f_t			50M		Hz
P_D				0.8	W

* Maximum Working Voltage