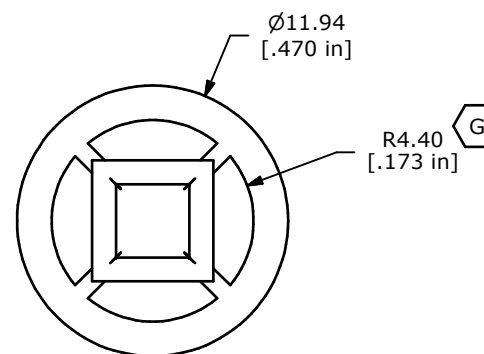


SECTION A-A
SCALE 3 : 1



NOTES:

1. ALL DIMENSIONS IN MM [INCH]
2. MATERIAL: ABS DOW 9020 & BLACK SM500
COLOR BLACK
- ▲ 3. EXTERNAL SURFACES TO BE FREE OF SINK
MARKS & BLEMISHES
- ▲ 4. SURFACE FINISH: FINE EDM MACHINE FINISH
5. ▲ DENOTES CRITICAL PARAMETER
6. UNLESS OTHERWISE SPECIFIED TOLERANCE
TO BE ± 0.127[.005]

J	18907	DRAWING NUMBER CHANGED (ROMOVE H)	2/24/10	BLR
H	18296	TITLE UPDATED TO MATCH QAD	10/24/09	BLR
G	16326	CLEANED UP DWG.	8/16/06	BO
F	16055	REVISED AND REDRAWN	5/26/06	CT
REV	PCR NO	DESCRIPTION	DATE	BY



TITLE 320.08BLK

THE INFORMATION CONTAINED IN THIS DOCUMENT IS PROPRIETARY
TO E-SWITCH AND IS NOT TO BE COPIED OR TRANSFERRED

SCALE 3:1

DATE 2/24/2010

DR BLR

DWG B099400



REV J