

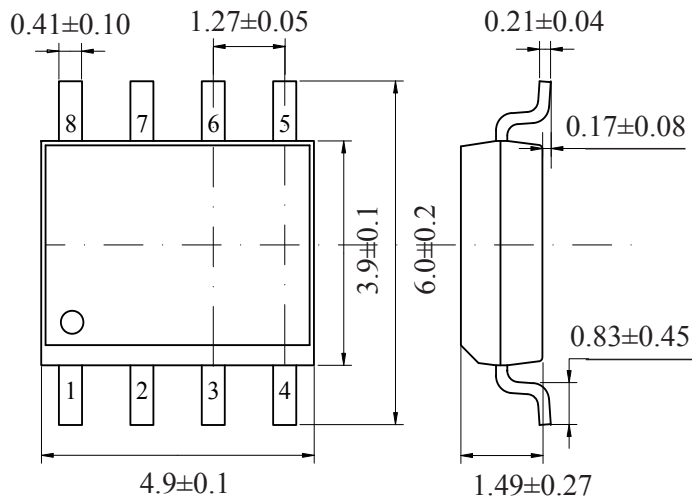
Package, Reel, Taping

(MOSFET)

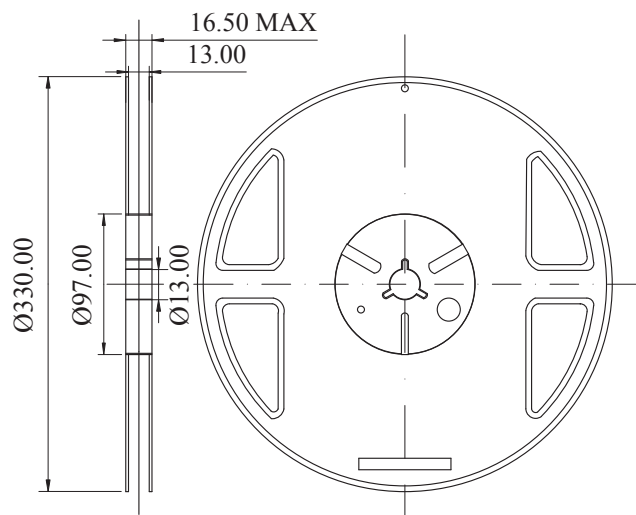
SOP-8 (2,500 or 3,000pcs/reel)

Unit : mm

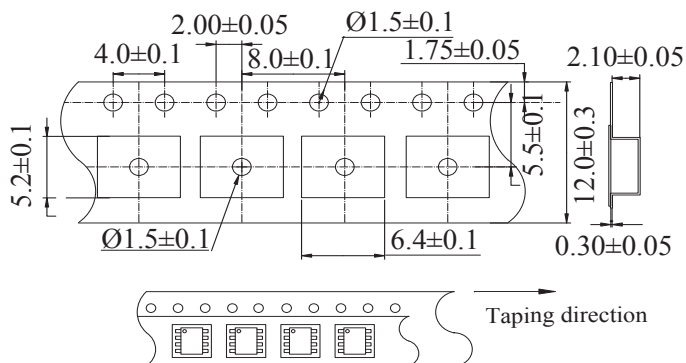
• Package



• Reel



• Taping



N type

A : ELM34xxxAA
ELM54xxxxA
B : ELM14xxxAA

