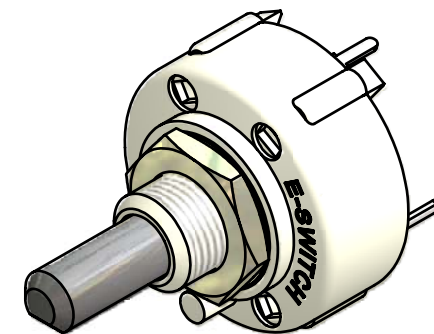
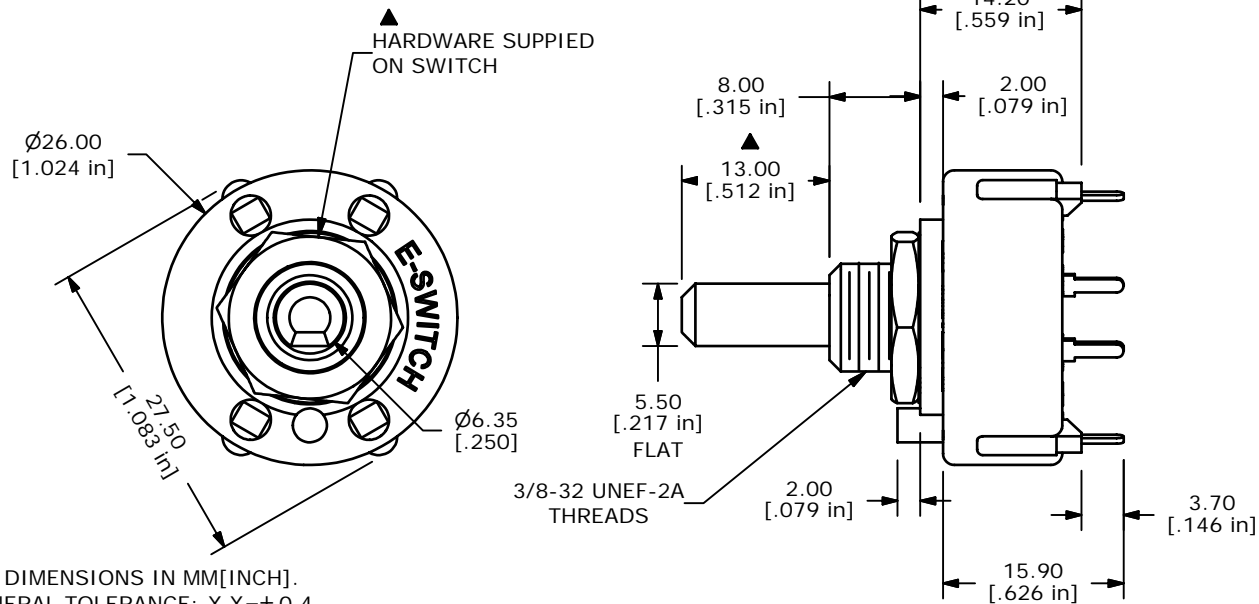


CONTACT CONFIGURATION
TIMING (BBM) NON-SHORTING

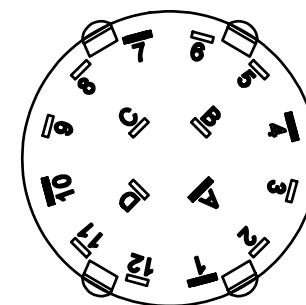


ISOMETRIC



NOTE:

1. ALL DIMENSIONS IN MM[INCH].
2. GENERAL TOLERANCE: X.X=±0.4
X.XX=±0.25
3. TERM. NOS. FOR REFERENCE ONLY.
- ▲4. CONTACT MATERIAL: SILVER
5. CONTACT RATING: AC125V @ 0.3A
6. OPERATING FORCE 425±100CM/STANDARD
7. OPERATING TEMP: -30°C TO 85°C
8. CIRCUIT SP: 4 POSITION, -90° INDEX
9. DIELECTRIC STRENGTH: 1000V RMS MIN.@ SEA LEVEL.
- ▲10. HARDWARE SUPPLIED ON SWITCH:
LOCKWASHER, HEXNUT
11. ▲ DENOTES CRITICAL PARAMETER.
- ▲12. FUNCTION TYPE: NON-STOP
13. 2002/95/EC (ROHS) COMPLIANT



E-SWITCH®

TITLE KC58A13.001NPS NON-STOP

A	16866	RELEASED FOR PRODUCTION	1/16/2007	TN
REV	PCR NO	DESCRIPTION	DATE	BY

THE INFORMATION CONTAINED IN THIS DOCUMENT IS PROPRIETARY TO E-SWITCH AND IS NOT TO BE COPIED OR TRANSFERRED

SCALE	DATE	DR	DWG	REV
1.5:1	1/16/2007	TN	G511010	A