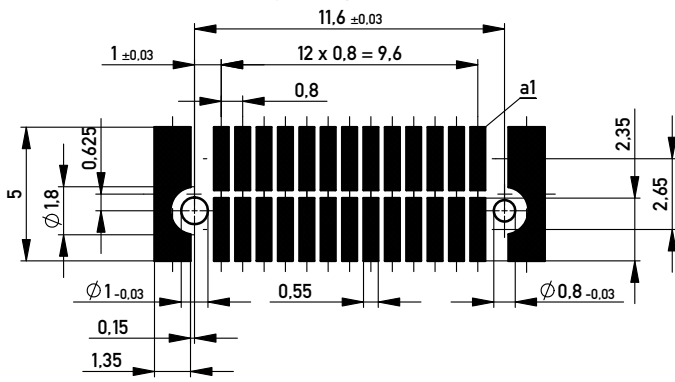
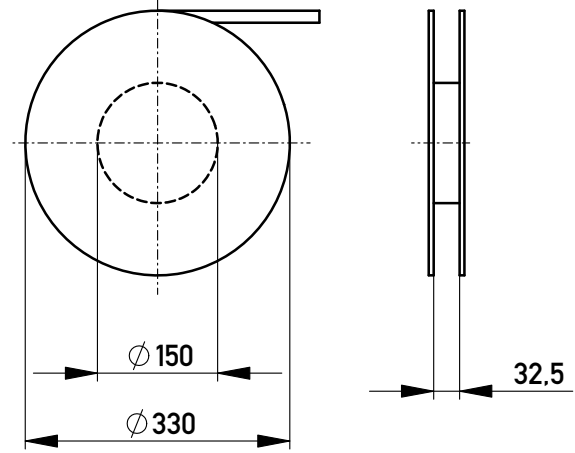


Leiterplatten-Layout Vorschlag für SMT
PCB-Layout Proposal for SMT

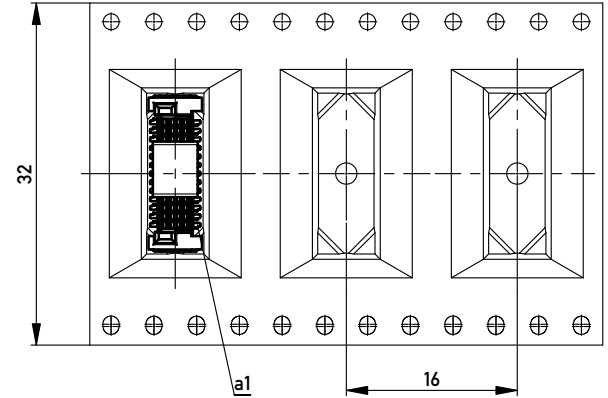


- Anforderungsstufe 2
Performance Level 2
- Kontaktbereich vergoldet
Mating Area gold plating
- Anschlussbereich verzinkt 4-6 µm
Terminal Area 4-6 µm tin plating
- Koplanarität der Anschlüsse ≤ 0,1 mm
Coplanarity Area of Termination ≤ 0.1 mm

Verpackt in Gurtverpackung - Tape on Reel Packaging
Verpackungseinheit: 350 Stück - Packaging unit: 350 pcs



Abspulrichtung - Reel off Direction



Information:	Tolerances	 All Dimensions in mm	Scale	5:1
	All rights reserved. Only for Information. To ensure that this is the latest version of this drawing, please contact one of the ERNI companies before using.		Designation 0,8 DRC-B, F 8mm, 26 polig <i>0,8 DRC-B, F 8mm, 26 pin</i>	
Subject to modification without prior notice. Drawing will not be updated.		www.ERNI.com		294027
Index	Date	Class	DRCB	I A3

Copyright by ERNI GmbH. Proprietary notice pursuant to ISO 9006 to be observed.