

MICRO SWITCH

FREEMONT ILLINOIS, U.S.A.
A DIVISION OF HONEYWELL
FED. MFG. CODE 91929

SWITCH - BASIC

CATALOG LISTING

V3-1068

CK-L6531

V3-1068

M

DRAWING NUMBER

ISSUE

3

REVISIONS

0047939

TSM

7 JUNE 80

0074927

KDR

11 MAY 93

RELEASE NO. PR-8718-T REPLACES

CHECK

CHECK

80

10 MAY 80

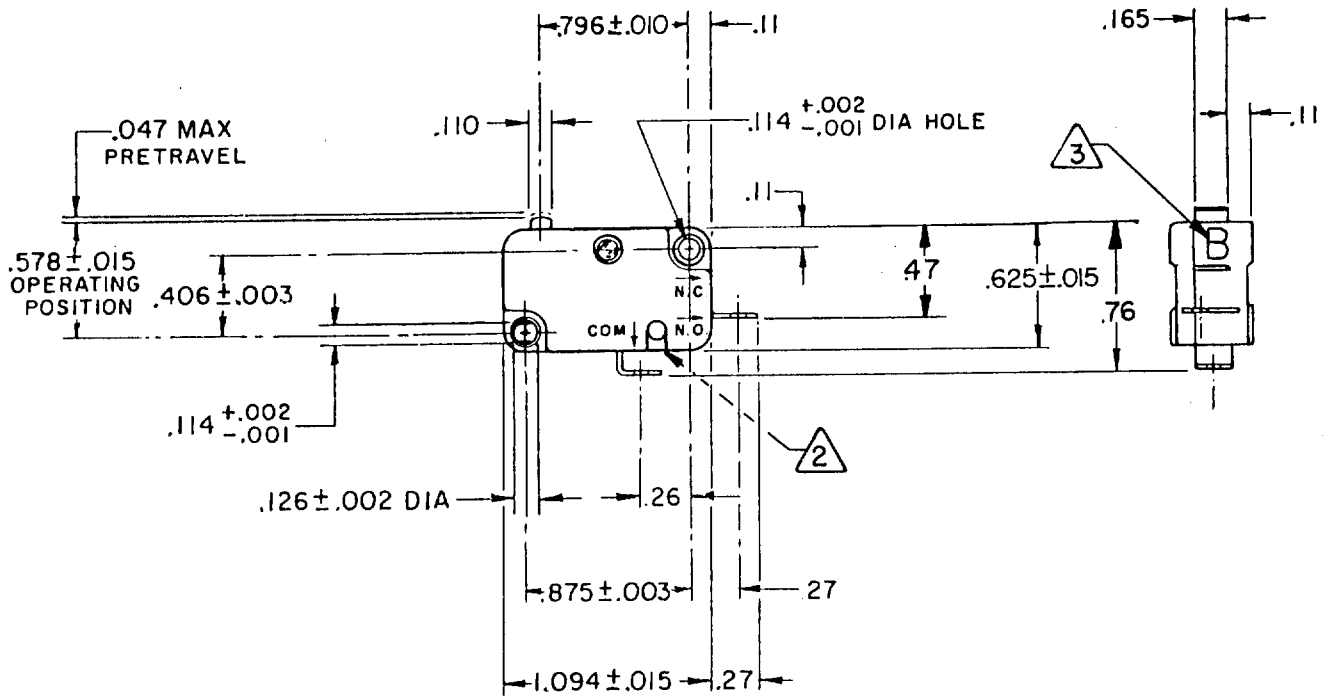
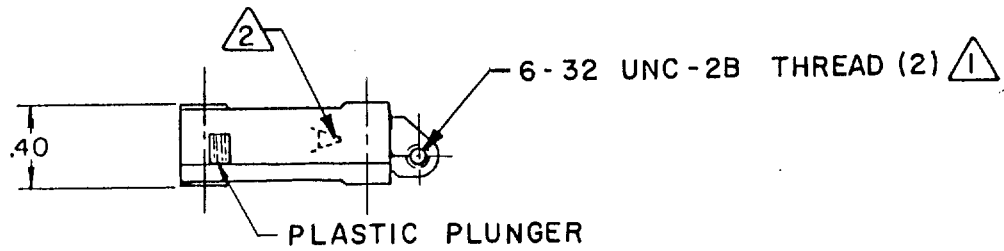
80

80

80

80

80

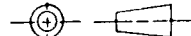


NOTES

- 1 6-32UNC X .188 LONG TERMINAL SCREWS AND LOCKWASHERS (2) EACH FURNISHED UNASSEMBLED WITH SWITCH IN PACKET
- 2 COMMON TERMINAL IDENTIFICATION
- 3 NORMALLY OPEN TERMINAL IDENTIFICATION

THIS DRAWING COVERS A PROPRIETARY ITEM AND IS THE PROPERTY OF MICRO SWITCH, A DIVISION OF HONEYWELL. THIS DRAWING IS NOT TO BE COPIED OR USED WITHOUT THE APPROVAL OF MICRO SWITCH.

THIRD ANGLE PROJECTION



CHARACTERISTICS	
OPERATING FORCE	-----6 - 14 OZ
RELEASE TRAVEL	----- .007 MIN
RELEASE FORCE	-----4 OZ MIN
DIFFERENTIAL TRAVEL	----- .002 - .010
OVERTRAVEL	----- .040 MIN
FREE POSITION	----- .625 MAX

ELECTRICAL DATA	
CONTACT ARRANGEMENT S P N O	
10 A - <u>250</u> VAC	

SCALE FULL			
DO NOT SCALE PRINT			
TOLERANCES			
APPLY TO DESIGN UNITS. CONVERSIONS ARE ONLY FOR REFERENCE. UNLESS NOTED, TOLERANCES ARE:			
DIM.	TOL.	DIM.	TOL.
mm	mm/in	in	mm/in
NO PLACES	X	1/64	X X
ONE PLACE	X, X	0.4/016	X X X
TWO PLACES	X, XX	0.15/006	X X X X
THREE PLACES	X, XXX		X X X X X
ANGLES			
DESIGN UNITS		SI METRIC	
		US CUSTOMARY	
WEIGHT		8.3 GRAMS	

FO-52848-A

DRAWN

9 MAY 80