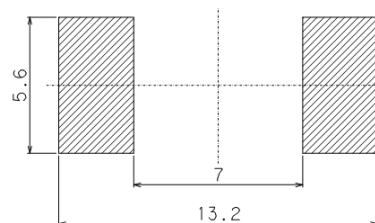
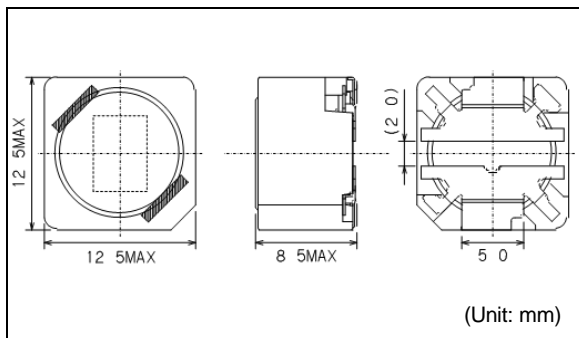


MBH12282C

Inductance Range: 2.0~1000μH


Recommended patterns
 推奨パターン図


(Unit: mm)

FEATURES 特長

- AEC-Q200 Compliant.
- 12.5× 12.5mm Max. square, 8.5mm Max. height.
- Magnetically shielded.
- AEC-Q200準拠
- 12.5 × 12.5mm角Max. 高さ8.5mm Max.
- 閉磁路構造

STANDARD PART NUMBERS 標準品一覧
TYPE MBH12282C (Quantity/reel; 500 PCS)

| 品番 | インダクタンス ⁽¹⁾ | 許容差 | 直流抵抗 ⁽²⁾ | 直流重畳許容電流 ⁽³⁾ | 温度上昇許容電流 ⁽³⁾ |
|----------------------|-----------------------------------|------------------|---|--|---|
| Part Number | Inductance ⁽¹⁾ (μH) | Tolerance (%) | DC Resistance ⁽²⁾ (mΩ) Tolerance ± 20% | Inductance Decrease Current ⁽³⁾ (A) Max.(Typ.) ΔL/L=10% | Temperature Rise Current ⁽³⁾ ΔT=40°C (A) Max. (Typ.) |
| * MBH12282C-2R0NA=P3 | 2.0 | ±30 | 9.1 | 13 (18) | 7.3 (9.2) |
| * MBH12282C-3R9NA=P3 | 3.9 | ±30 | 12 | 9.1 (13) | 6.2 (7.8) |
| * MBH12282C-4R7NA=P3 | 4.7 | ±30 | 13 | 7.9 (11) | 5.9 (7.4) |
| MBH12282C-6R8NA=P3 | 6.8 | ±30 | 15 | 7.0 (10) | 5.7 (7.2) |
| MBH12282C-100MA=P3 | 10 | ±20 | 18 | 5.7 (8.2) | 5.3 (6.3) |
| * MBH12282C-150MA=P3 | 15 | ±20 | 21 | 4.4 (6.3) | 4.7 (5.6) |
| * MBH12282C-220MA=P3 | 22 | ±20 | 29 | 3.8 (5.5) | 4.0 (4.8) |
| * MBH12282C-330MA=P3 | 33 | ±20 | 47 | 3.0 (4.3) | 3.0 (3.6) |
| MBH12282C-470MA=P3 | 47 | ±20 | 66 | 2.5 (3.6) | 2.6 (3.1) |
| MBH12282C-680MA=P3 | 68 | ±20 | 83 | 2.1 (3.0) | 2.2 (2.7) |
| MBH12282C-820MA=P3 | 82 | ±20 | 91 | 1.9 (2.8) | 2.2 (2.6) |
| MBH12282C-101MA=P3 | 100 | ±20 | 110 | 1.7 (2.5) | 1.9 (2.3) |
| * MBH12282C-151MA=P3 | 150 | ±20 | 160 | 1.4 (2.0) | 1.6 (1.9) |
| * MBH12282C-221MA=P3 | 220 | ±20 | 250 | 1.1 (1.6) | 1.2 (1.5) |
| MBH12282C-331MA=P3 | 330 | ±20 | 350 | 0.9 (1.3) | 1.1 (1.3) |
| * MBH12282C-471MA=P3 | 470 | ±20 | 460 | 0.84 (1.2) | 0.93 (1.1) |
| * MBH12282C-681MA=P3 | 680 | ±20 | 720 | 0.66 (0.95) | 0.76 (0.90) |
| MBH12282C-102MA=P3 | 1000 | ±20 | 1050 | 0.56 (0.81) | 0.59 (0.70) |

* Under development

- 1) Inductance is measured with a LCR meter 4284A(Agilent Technologies) or equivalent. Test frequency at 100kHz
- 2) DC resistance is measured with 34420A (Agilent Technologies) or 3541(HIOKI). (Reference ambient temperature 25°C)
- 3) Maximum allowable DC current is that which causes a 10% inductance reduction from the initial value, coil temperature to rise by 40°C, whichever is smaller. (Reference ambient temperature 25°C)

- (1) インダクタンスはLCRメータ4284A(Agilent Technologies)または同等品により測定する。測定周波数は100kHz。
- (2) 直流抵抗は測定器34420A (Agilent Technologies) または3541 (HIOKI) と同等品により測定する。(周囲温度25°C)
- (3) 最大許容電流は、直流重畳電流を流した時インダクタンスの値が初期値より10%減少する直流電流値、または直流電流により、コイルの温度が40°C上昇の何れか小さい値。(周囲温度25°C)