



## ACJT10 Series 10A TRIACs

Rev.3.0

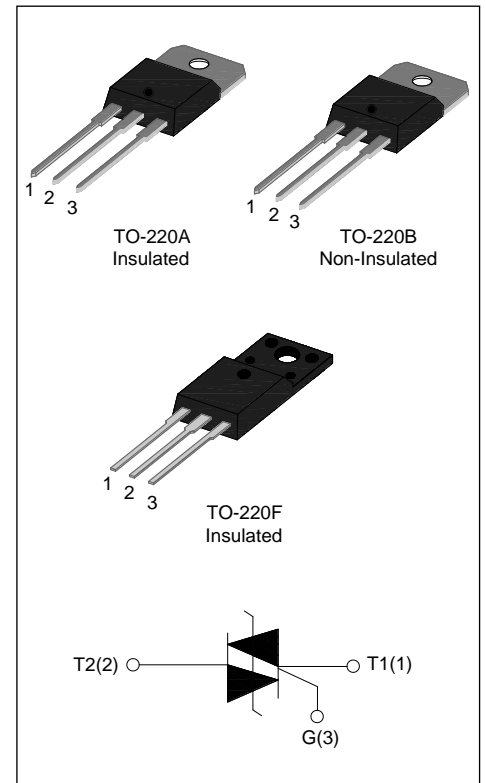
### DESCRIPTION:

The ACJT10 series of double mesa technology provide high interference immunity, They can be used as an static ON/OFF function in electrical control system, and used as a driver of low power and high inductance or resistive loads, such as jet pumps of dishwashers, fans of air-conditioner ...

ACJT10xx-xxA provides insulation voltage rated at 2500V RMS and ACJT10xx-xxF provides insulation voltage rated at 2000V RMS from all three terminals to external heatsink.

### MAIN FEATURES

Symbol	Value	Unit
$I_{T(RMS)}$	10	A
$V_{DRM}/V_{RRM}$	1000	V
$I_{GT}$	$\leq 10$ or $\leq 35$ or $\leq 50$	mA



### ABSOLUTE MAXIMUM RATINGS

Parameter		Symbol	Value	Unit
Storage junction temperature range		$T_{stg}$	-40-150	°C
Operating junction temperature range		$T_j$	-40-125	°C
Repetitive peak off-state voltage( $T_j=25^\circ\text{C}$ )		$V_{DRM}$	1000	V
Repetitive peak reverse voltage( $T_j=25^\circ\text{C}$ )		$V_{RRM}$	1000	V
Non repetitive surge peak Off-state voltage		$V_{DSM}$	$V_{DRM} + 100$	V
Non repetitive peak reverse voltage		$V_{RSM}$	$V_{RRM} + 100$	V
RMS on-state current	TO-220A(Ins) ( $T_C=90^\circ\text{C}$ )	$I_{T(RMS)}$	10	A
	TO-220B(Non-Ins) ( $T_C=100^\circ\text{C}$ )			
	TO-220F(Ins) ( $T_C=84^\circ\text{C}$ )			
Non repetitive surge peak on-state current (full cycle, $F=50\text{Hz}$ )		$I_{TSM}$	100	A
$I^2t$ value for fusing ( $t_p=10\text{ms}$ )		$I^2t$	55	$\text{A}^2\text{s}$

Rate of rise of on-state current ( $I_G=2 \times I_{GT}$ )	$di_T/dt$	50	A/ $\mu$ s
Peak gate current	$I_{GM}$	2	A
Average gate power dissipation	$P_{G(AV)}$	0.1	W
Peak gate power	$P_{GM}$	1	W

**ELECTRICAL CHARACTERISTICS** ( $T_j=25^\circ\text{C}$  unless otherwise specified)

Symbol	Test Condition	Quadrant		Value			Unit
				ACJT1010	ACJT1035	ACJT1050	
$I_{GT}$	$V_D=12\text{V}$ $R_L=33\Omega$	I - II -III	MAX	10	35	50	mA
$V_{GT}$		I - II -III	MAX	1.4	1.4	1.5	V
$V_{GD}$	$V_D=V_{DRM}$ $T_j=125^\circ\text{C}$ $R_L=3.3\text{K}\Omega$	I - II -III	MIN	0.2			V
$I_L$	$I_G=1.2I_{GT}$	I -III	MAX	20	70	80	mA
		II		35	80	100	
$I_H$	$I_T=100\text{mA}$		MAX	20	50	70	mA
$dV/dt$	$V_D=2/3V_{DRM}$ Gate Open $T_j=125^\circ\text{C}$		MIN	500	1500	2000	V/ $\mu$ s

**STATIC CHARACTERISTICS**

Symbol	Parameter		Value(MAX)	Unit
$V_{TM}$	$I_{TM}=14\text{A}$ $tp=380\mu\text{s}$	$T_j=25^\circ\text{C}$	1.55	V
$I_{DRM}$	$V_D=V_{DRM}$ $V_R=V_{RRM}$	$T_j=25^\circ\text{C}$	10	$\mu\text{A}$
$I_{RRM}$		$T_j=125^\circ\text{C}$	1.5	mA

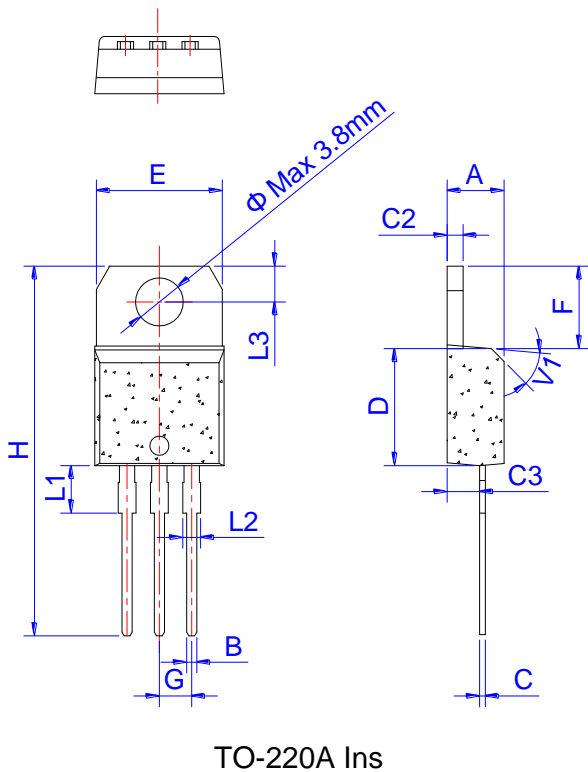
**THERMAL RESISTANCES**

Symbol	Parameter		Value	Unit
$R_{th(j-c)}$	junction to case(AC)	TO-220A(Ins)	3.1	$^\circ\text{C}/\text{W}$
		TO-220B(Non-Ins)	2.3	
		TO-220F(Ins)	3.5	

ORDERING INFORMATION

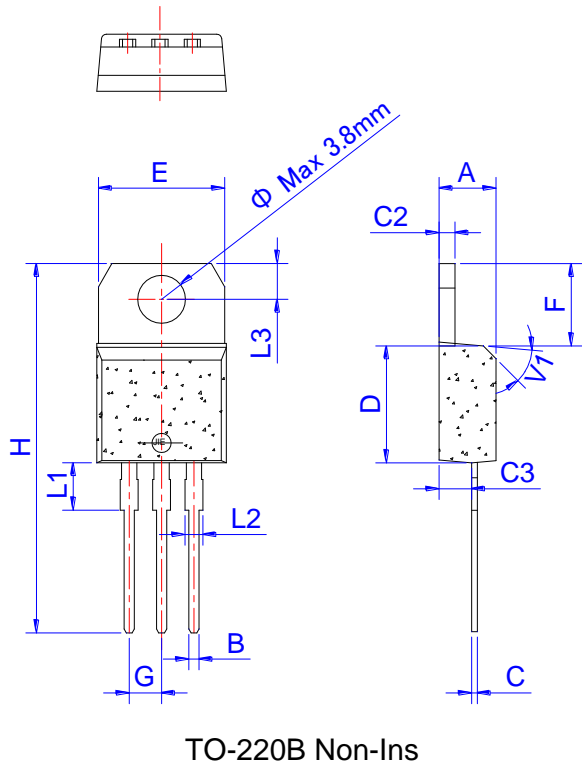
<p><b>AC</b></p> <p>AC switch</p> <p>JieJie Microelectronics Co.,Ltd</p>	<p><b>J</b></p>	<p><b>T</b></p> <p>Triacs</p> <p><math>I_{T(RMS)}:10A</math></p>	<p><b>10</b></p>	<p><b>35</b></p>	<p><b>-10</b></p>	<p><b>F</b></p> <p>A:TO-220A(Ins) F:TO-220F(Ins) B:TO-220B(Non-Ins)</p> <p>10:<math>V_{DRM}/V_{RRM} \geq 1000V</math></p> <p>10: <math>I_{GT1-3} \leq 10mA</math> 35: <math>I_{GT1-3} \leq 35mA</math> 50: <math>I_{GT1-3} \leq 50mA</math></p>
--	-----------------	--	------------------	------------------	-------------------	---

PACKAGE MECHANICAL DATA

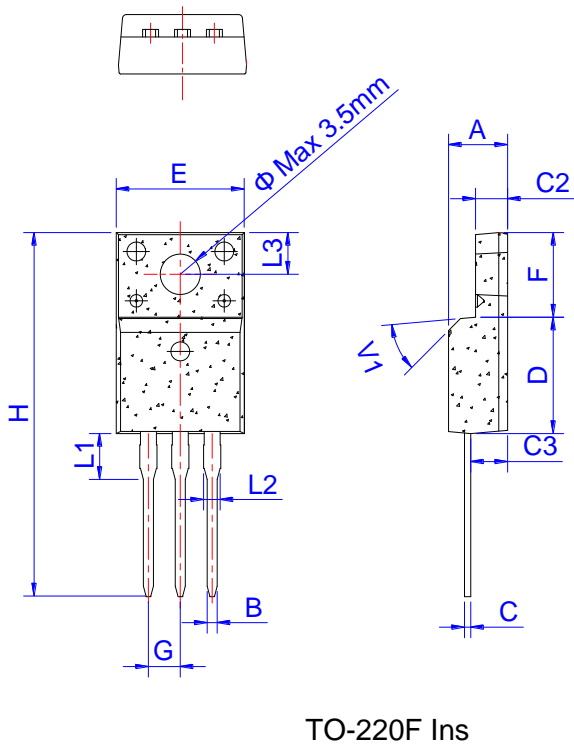


Ref.	Dimensions					
	Millimeters			Inches		
	Min.	Typ.	Max.	Min.	Typ.	Max.
A	4.40		4.60	0.173		0.181
B	0.61		0.88	0.024		0.035
C	0.46		0.70	0.018		0.028
C2	1.21		1.32	0.048		0.052
C3	2.40		2.72	0.094		0.107
D	8.60		9.70	0.339		0.382
E	9.80		10.4	0.386		0.409
F	6.55		6.95	0.258		0.274
G		2.54			0.1	
H	28.0		29.8	1.102		1.173
L1		3.75			0.148	
L2	1.14		1.70	0.045		0.067
L3	2.65		2.95	0.104		0.116
V1		45°			45°	

PACKAGE MECHANICAL DATA

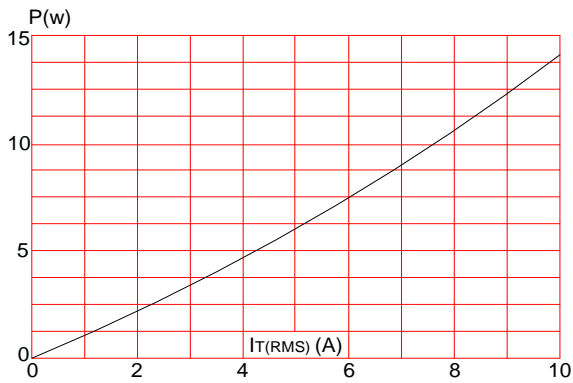


Ref.	Dimensions					
	Millimeters			Inches		
	Min.	Typ.	Max.	Min.	Typ.	Max.
A	4.40		4.60	0.173		0.181
B	0.61		0.88	0.024		0.035
C	0.46		0.70	0.018		0.028
C2	1.21		1.32	0.048		0.052
C3	2.40		2.72	0.094		0.107
D	8.60		9.70	0.339		0.382
E	9.60		10.4	0.378		0.409
F	6.20		6.60	0.244		0.260
G		2.54			0.1	
H	28.0		29.8	1.102		1.173
L1		3.75			0.148	
L2	1.14		1.70	0.045		0.067
L3	2.65		2.95	0.104		0.116
V1		45°			45°	

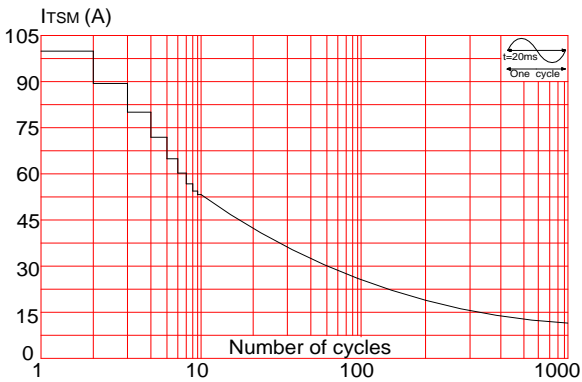


Ref.	Dimensions					
	Millimeters			Inches		
	Min.	Typ.	Max.	Min.	Typ.	Max.
A	4.40		4.80	0.173		0.189
B	0.74	0.80	0.83	0.029	0.031	0.033
C	0.48		0.75	0.019		0.030
C2	2.40		2.70	0.094		0.106
C3	2.60		3.00	0.102		0.118
D	8.80		9.30	0.346		0.366
E	9.70		10.3	0.382		0.406
F	6.40		7.00	0.252		0.276
G		2.54			0.1	
H	28.0		29.8	1.102		1.173
L1		3.63			0.143	
L2	1.14		1.70	0.045		0.067
L3		3.30			0.130	
V1		45°			45°	

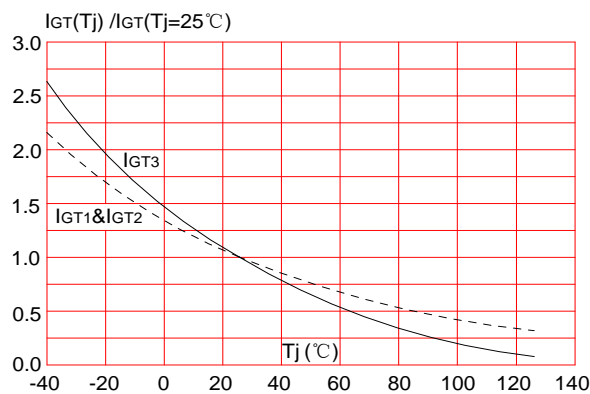
**FIG.1** Maximum power dissipation versus RMS on-state current



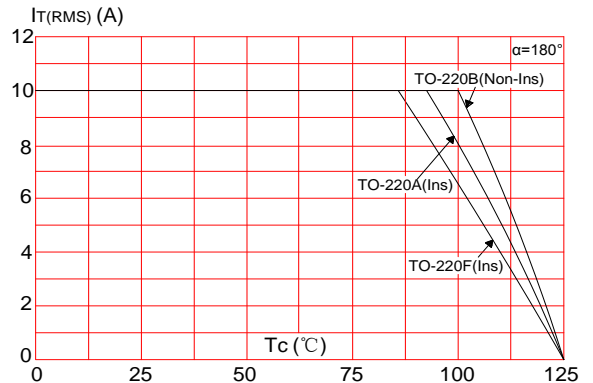
**FIG.3:** Surge peak on-state current versus number of cycles



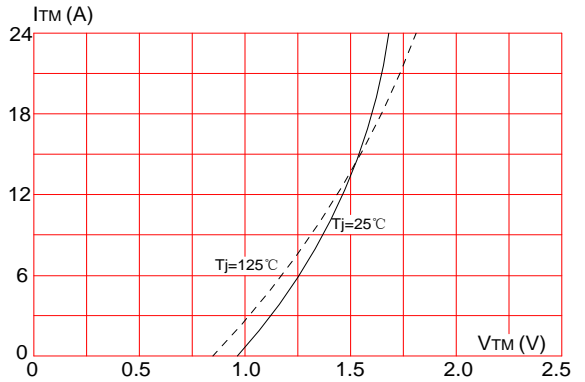
**FIG.5:** Relative variations of gate trigger current versus junction temperature



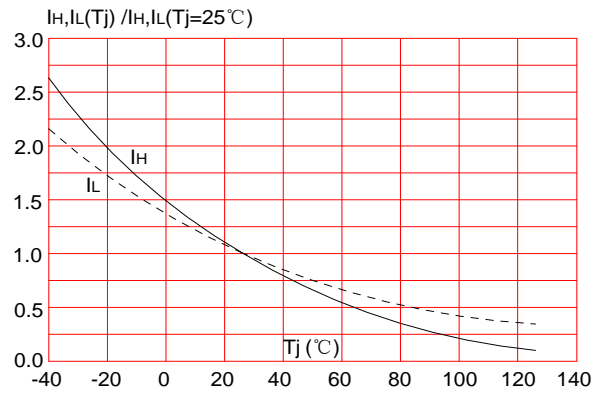
**FIG.2:** RMS on-state current versus case temperature



**FIG.4:** On-state characteristics (maximum values)



**FIG.6:** Relative variations of holding current, latching current versus junction temperature



Information furnished in this document is believed to be accurate and reliable. However, Jiangsu JieJie Microelectronics Co.,Ltd assumes no responsibility for the consequences of use without consideration for such information nor use beyond it.

Information mentioned in this document is subject to change without notice, apart from that when an agreement is signed, Jiangsu JieJie complies with the agreement.

Products and information provided in this document have no infringement of patents. Jiangsu JieJie assumes no responsibility for any infringement of other rights of third parties which may result from the use of such products and information.

This document is the third version which is made in 12-June-2015. This document supersedes and replaces all information previously supplied.

 is a registered trademark of Jiangsu JieJie Microelectronics Co.,Ltd.

Copyright ©2015 Jiangsu JieJie Microelectronics Co.,Ltd. Printed All rights reserved.