

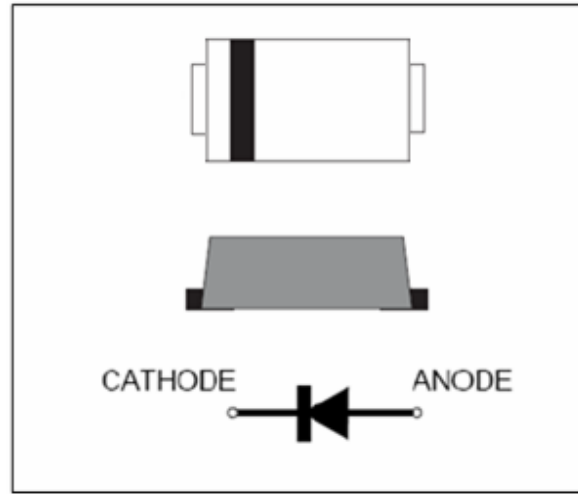
EFMBF201 thru EFMBF208

Surface Mount Glass Passivated Super Fast Rectifiers

Reverse Voltage 50 to 600V Forward Current 2.0A

FEATURES

- * Plastic package has Underwriters Laboratory Flammability Classification 94V-0
- * High temperature metallurgically bonded construction
- * For use in high frequency rectifier circuits
- * Fast switching for high efficiency
- * Cavity-free glass passivated junction
- * Capable of meeting environmental standards of MIL-S-19500
- * 2.0 A operation at TC=75°C with no thermal runaway
- * Typical IR less than 1.0μA
- * High temperature soldering guaranteed: 260°C/10 seconds



Mechanical Data

Case: JEDEC SMB-FL molded plastic over glass Die

Terminals: Plated leads, solderable per MIL-STD-750, Method 2026

Polarity: Color band denotes cathode end

Mounting Position Any

Weight: 0.066 g

Handling precaution None

Electrical Characteristic

1. Maximum & Thermal Characteristics Ratings at 25°C ambient temperature unless otherwise specified.

| Parameter Symbol | symbol | EFMB F201 | EFMB F202 | EFMB F203 | EFMB F204 | EFMB F205 | EFMB F206 | EFMB F207 | EFMB F208 | Unit |
|--|-----------------|-------------|-----------|-----------|-----------|-----------|-----------|-----------|-----------|------|
| Device marking code | | EF201 | EF202 | EF203 | EF204 | EF205 | EF206 | EF207 | EF208 | |
| Maximum repetitive peak reverse voltage | V_{RRM} | 50 | 100 | 150 | 200 | 300 | 400 | 500 | 600 | V |
| Maximum RMS voltage | V_{RMS} | 35 | 70 | 105 | 140 | 210 | 280 | 350 | 420 | V |
| Maximum DC blocking voltage | V_{DC} | 50 | 100 | 150 | 200 | 300 | 400 | 500 | 600 | V |
| Maximum average forward rectified current at $T_C = 75^\circ\text{C}$ | $I_F(AV)$ | 2.0 | | | | | | | | A |
| Peak forward surge current 8.3ms single half sine-wave superimposed on rated load (JEDEC Method) | I_{FSM} | 50 | | | | | | | | A |
| Typical thermal resistance (Note 1) | $R_{\theta JA}$ | 135 | | | | | | | | °C/W |
| | $R_{\theta JC}$ | 25 | | | | | | | | |
| Operating junction and storage temperature range | T_J, T_{STG} | -50 to +150 | | | | | | | | °C |

Electrical Characteristics Ratings at 25°C ambient temperature unless otherwise specified.

| Parameter Symbol | symbol | EFMB F201 | EFMB F202 | EFMB F203 | EFMB F204 | EFMB F205 | EFMB F206 | EFMB F207 | EFMB F208 | Unit | |
|--|----------|-----------|-----------|-----------|-----------|-----------|-----------|-----------|-----------|------|----|
| Maximum instantaneous forward voltage at 2.0A | V_F | 0.95 | | | 1.25 | | 1.7 | | | V | |
| Maximum DC reverse current $T_A = 25^\circ\text{C}$ at rated DC blocking voltage $T_J = 125^\circ\text{C}$ | I_R | 5.0 | | | | | 100 | | | | μA |
| Typical reverse recovery time (Note 1) | t_{rr} | 35 | | | | | | | | | ns |
| Typical junction capacitance at 4.0V, 1MHz | C_J | 15.0 | | | | | | | | | PF |

NOTES:

1. $I_F = 0.5A, I_R = 1.0A, I_{RR} = 0.25A$
2. 8.0mm² (.013mm thick) land areas

we declare that the material of product is halogen free (green epoxy compound).

EFMBF201 thru EFMBF208

2. Ratings and Characteristic Curves (TA = 25°C unless otherwise noted)

Fig. 1 - Forward Current Derating Curve

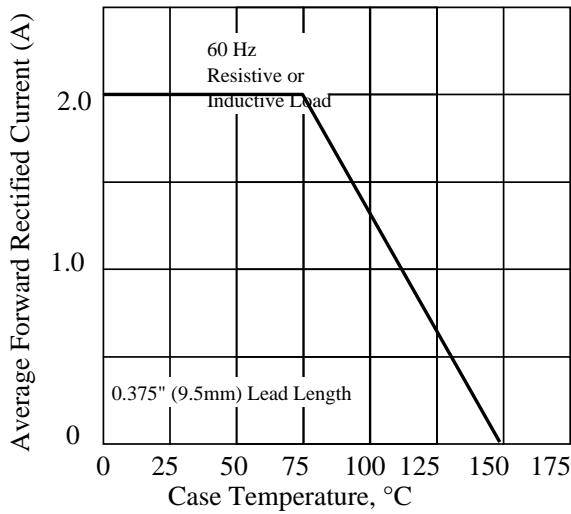


Fig. 2 - Maximum Non-repetitive Peak Forward Surge Current

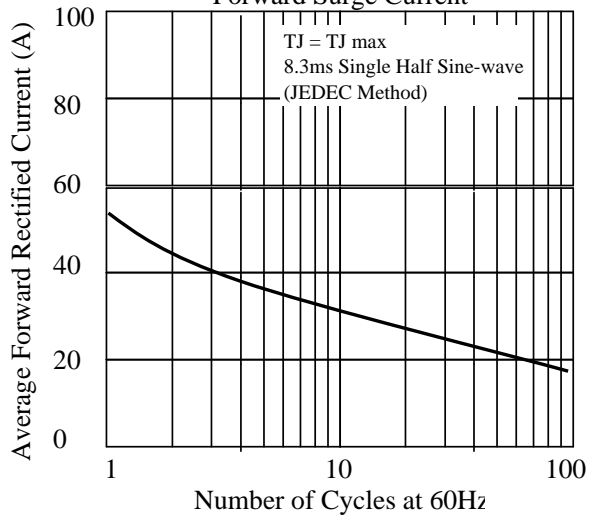


Fig 3. - Typical Instantaneous Forward Characteristics

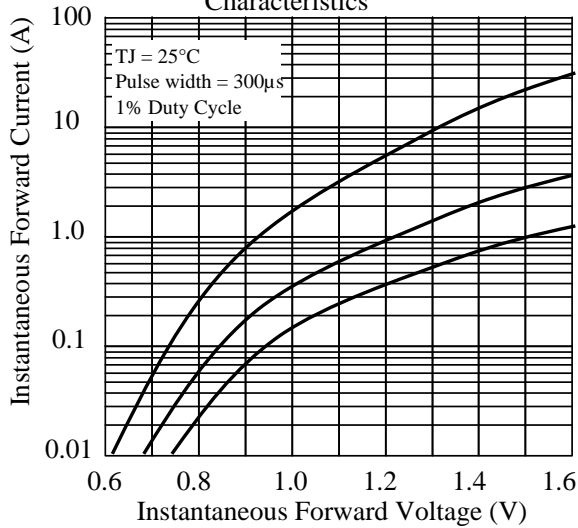


Fig 4. - Typical Reverse Characteristics

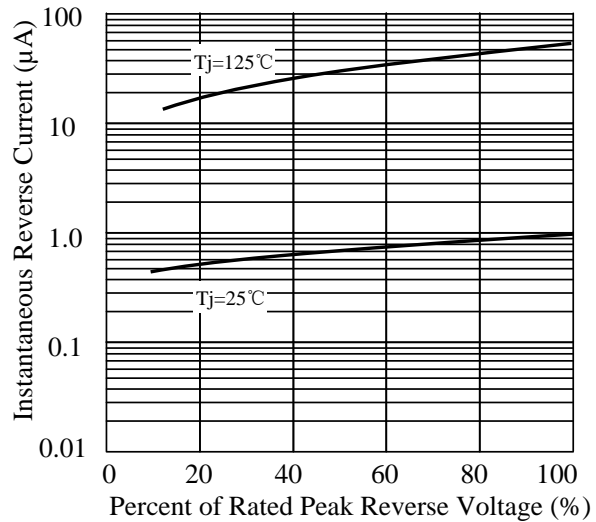


Fig 5. - typical transient thermal impedance

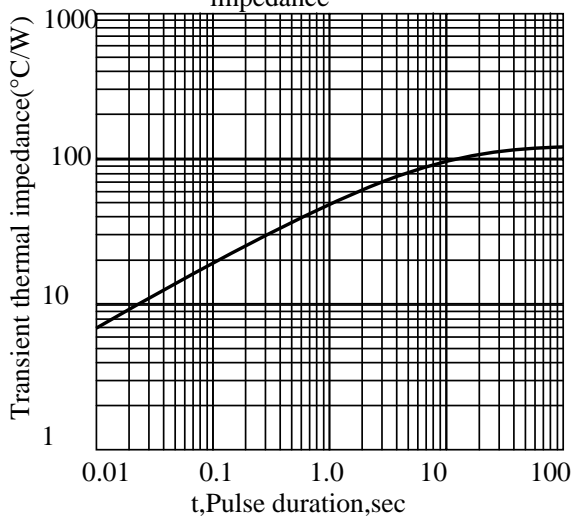
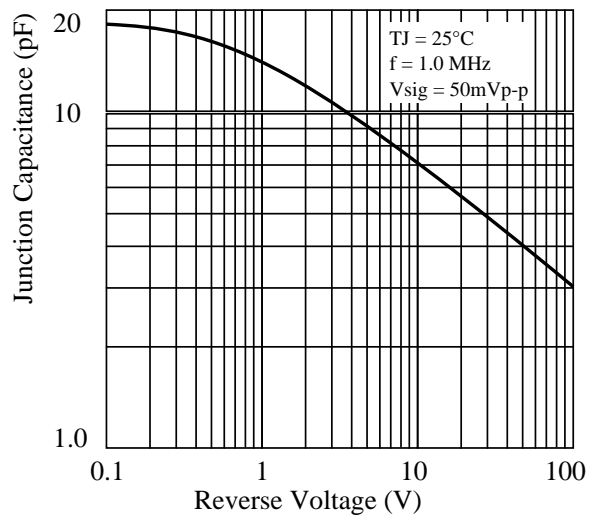


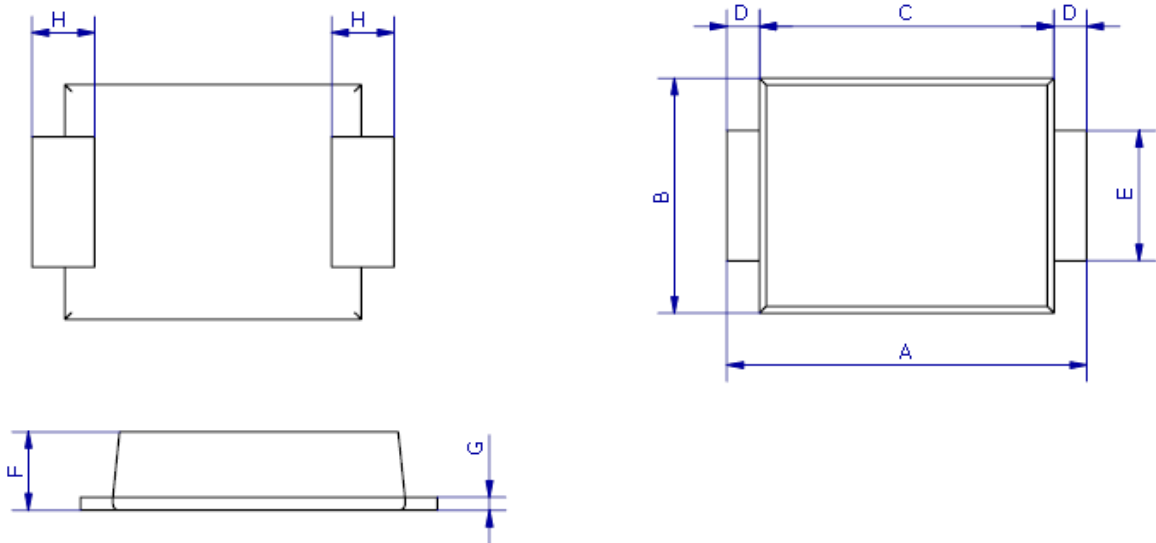
Fig 6. - Typical Junction Capacitance



EFMBF201 thru EFMBF208

3. dimension:

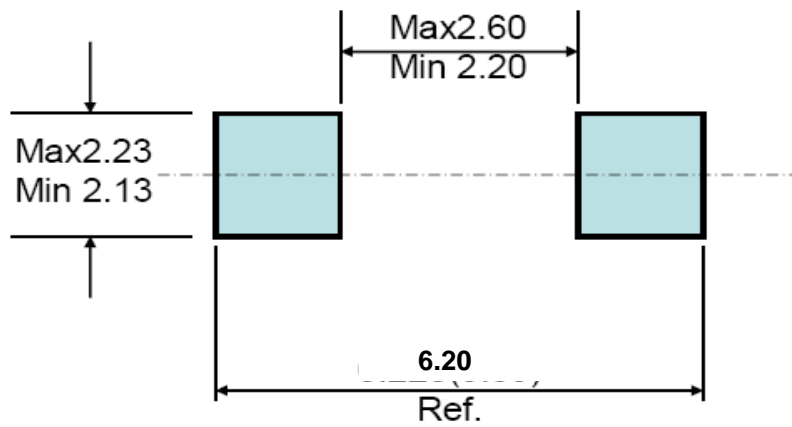
SMB-FL



| DIM | MILLIMETERS | | INCHES | |
|-----|-------------|------|----------|---------|
| | MIN | MAX | MIN | MAX |
| A | 5.3 | 5.7 | 0.209 | 0.224 |
| B | 3.4 | 3.8 | 0.134 | 0.150 |
| C | 4.3 | 4.7 | 0.169 | 0.185 |
| D | 0.45Typ | | 0.018Typ | |
| E | 1.9 | 2.1 | 0.0748 | 0.08268 |
| F | 1.05 | 1.40 | 0.04134 | 0.05512 |
| G | 0.2 | 0.3 | 0.00591 | 0.00984 |
| H | 0.95Typ | | 0.037Typ | |

Mounting Pad Layout

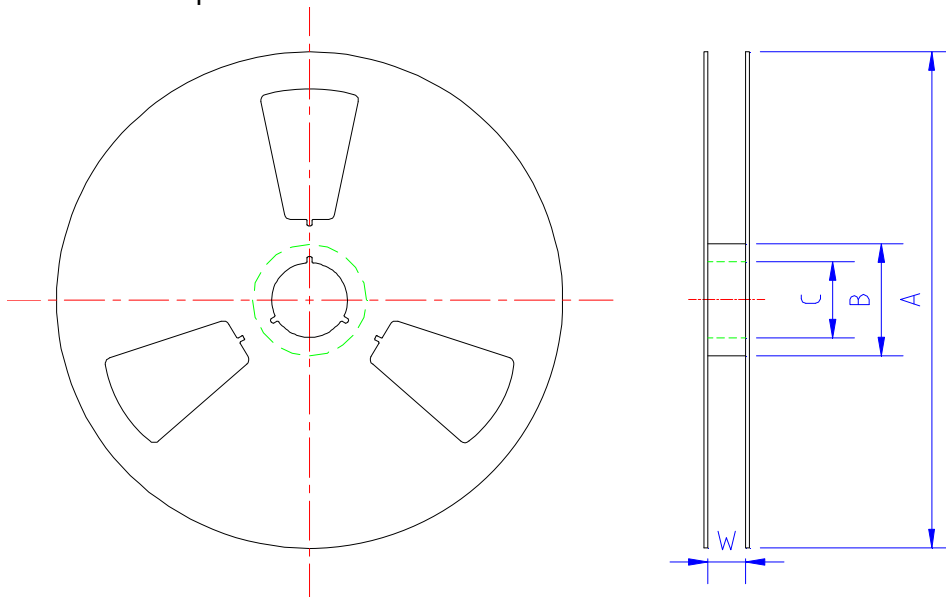
--- SMB-FL



5.1 、 SMD Packing Reel Spec & Packing Quantity

5.1.1 Reel Packing

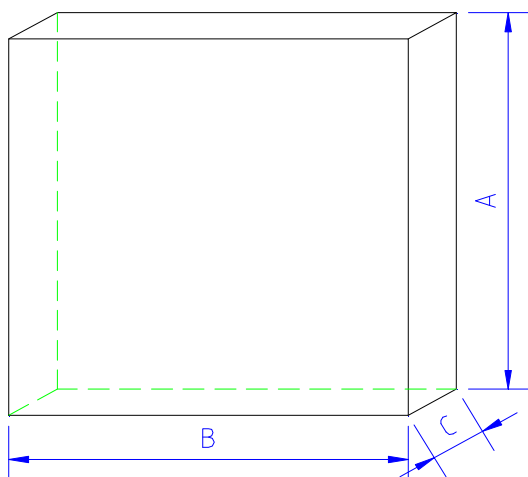
A. Reel Spec



unit: mm

| SPEC | A | B | C | W | Quantity/Reel |
|------------------|-----------|----------|----------|----------|---------------|
| SMA-FL 7" reel | 177.0±2.0 | 54.0±0.5 | 13.0±0.5 | 13.2±0.2 | 3K |
| TO277 13" reel | 330.0±2.0 | 75.0±0.5 | 13.0±0.5 | 13.2±0.2 | 5K |
| SOD123FL 7" reel | 177.0±2.0 | 50.0±0.5 | 13.0±0.5 | 9.4±1.5 | 3K |
| SOD323HE 7" reel | 177.0±2.0 | 50.0±0.5 | 13.0±0.5 | 9.4±1.5 | 3K |
| SMB-FL 13" reel | 330.0±2.0 | 75.0±0.5 | 13.0±0.5 | 13.2±0.2 | 5K |

B. 13" reel packing box



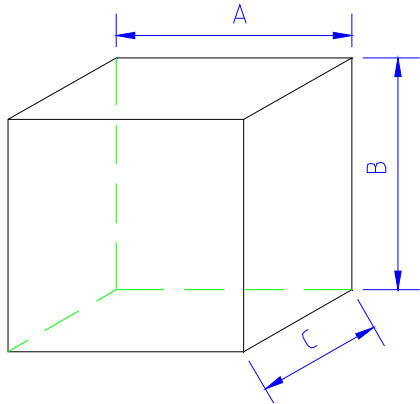
unit: mm

| size | A | B | C |
|------|---------|---------|--------|
| | 335±5.0 | 335±2.0 | 40±1.0 |

as per above packing

| Spec | Q' ty/Box |
|-----------------|-----------|
| TO277 13" reel | 10K |
| SMB-FL 13" reel | 10K |

C. 7" reel packing box



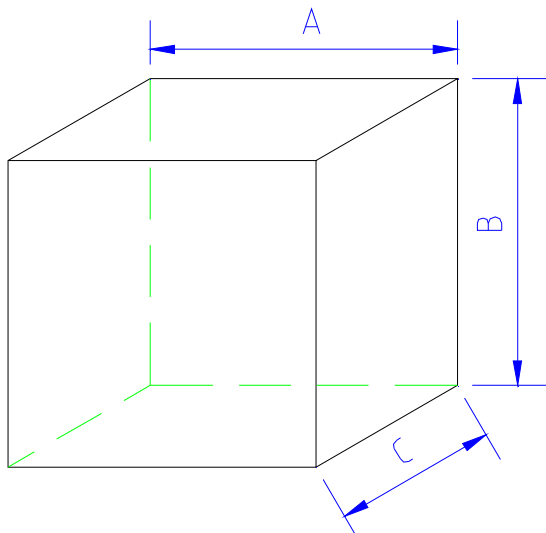
unit: mm

| | A | B | C |
|----------|---------|---------|---------|
| SMA-FL | | | |
| SOD123FL | | | |
| SOD323HE | 186±2.0 | 139±2.0 | 185±2.0 |

as per above packing

| | Q' ty/Box |
|----------|-----------|
| SMA-FL | 30K |
| SOD123FL | 30K |
| SOD323HE | 30K |

D. reel packing carton



unit: mm

| | A | B | C |
|------|---------|---------|---------|
| size | 350±2.0 | 340±2.0 | 350±2.0 |

as per above packing

| Spec | Q' ty/Carton |
|-----------------|--------------|
| TO277 13" reel | 80K |
| SMB-FL 13" reel | 80K |

unit: mm

| | A | B | C |
|----------|---------|---------|---------|
| SMA-FL | | | |
| SOD123FL | | | |
| SOD323HE | 455±2.0 | 400±2.0 | 410±2.0 |

as per above packing

| Spec | Q' ty/Carton |
|-------------------|--------------|
| SMA-FL 7" reel | 360K |
| SOD123-FL 7" reel | 360K |
| SOD323HE 7" reel | 360K |

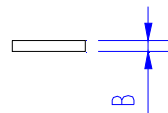
5.1.2 Tape Spec

A. Cover Tape

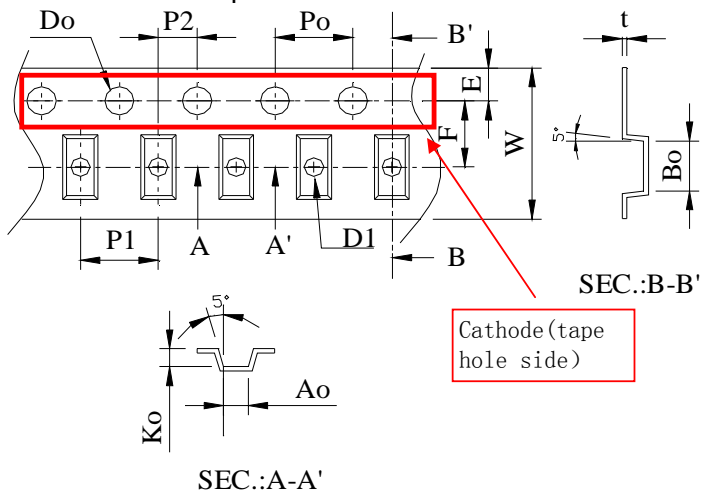


unit: mm

| | A | B |
|---------------------------|----------|-------------|
| SMA-FL SMB-FL TO277 | 9.5±0.10 | 0.062±0.007 |
| SOD123FL SOD323HE | 5.4±0.10 | |



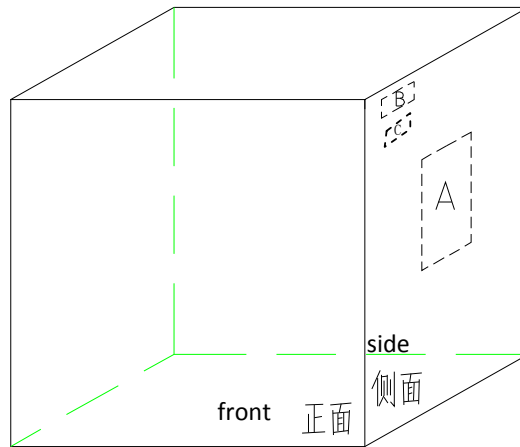
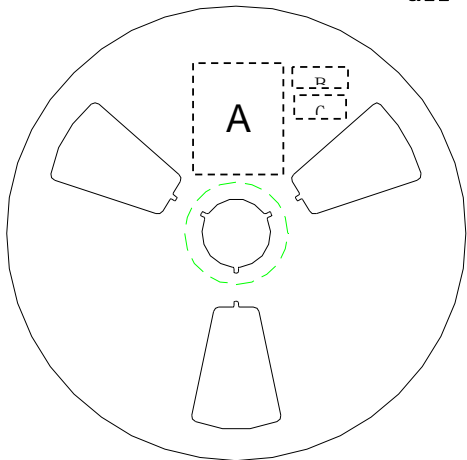
B. Carrier Tape



| Item | SOD323HE | SOD123FL | SMA-FL | SMB-FL | TO277 |
|------|-----------|-----------|-----------|-----------|-----------|
| W | 8±0.3 | 8±0.3 | 12±0.3 | 12±0.3 | 12±0.3 |
| P1 | 4±0.1 | 4±0.1 | 4±0.1 | 8±0.1 | 8±0.1 |
| E | 1.75±0.1 | 1.75±0.1 | 1.75±0.1 | 1.75±0.1 | 1.75±0.1 |
| F | 3.5±0.05 | 3.5±0.05 | 5.5±0.05 | 5.5±0.05 | 5.5±0.05 |
| D0 | 1.55±0.05 | 1.55±0.05 | 1.55±0.05 | 1.55±0.05 | 1.55±0.05 |
| D1 | 1.1±0.1 | 1.1±0.1 | 1.5±0.1 | 1.55±0.05 | 1.5±0.1 |
| P0 | 4±0.1 | 4±0.1 | 4±0.1 | 4±0.1 | 4±0.1 |
| P2 | 2±0.05 | 2±0.05 | 2±0.05 | 2±0.05 | 2±0.05 |
| 10P0 | 40±0.2 | 40±0.2 | 40±0.2 | 40±0.2 | 40±0.2 |
| A0 | 1.45±0.1 | 1.95±0.1 | 2.83±0.1 | 3.8±0.1 | 4.3±0.1 |
| B0 | 2.75±0.1 | 3.95±0.1 | 4.75±0.1 | 5.75±0.1 | 6.8±0.1 |
| K0 | 0.80±0.1 | 1.30±0.1 | 1.42±0.1 | 1.4±0.1 | 1.35±0.1 |
| T | 0.25±0.05 | 0.25±0.05 | 0.25±0.05 | 0.25±0.05 | 0.25±0.05 |

5.2、SMD Power Diode General Packing Spec

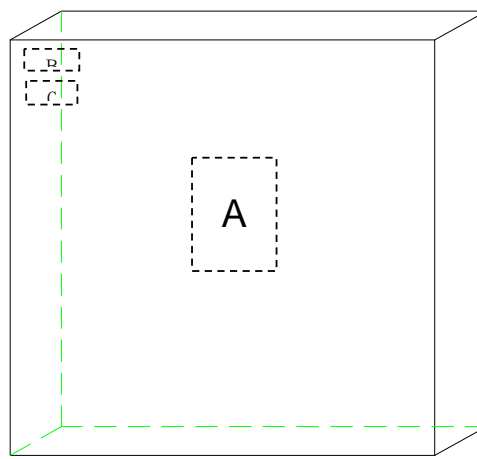
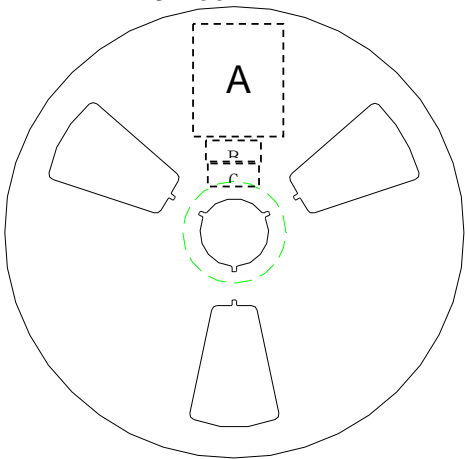
A. 7" reel all labels will be at cathode side of reel ;



A:LRC label;

B:Environment Label C:Halide free label

B. 13" reel



A:LRC label;

B:Environment Labe C:Halide free label

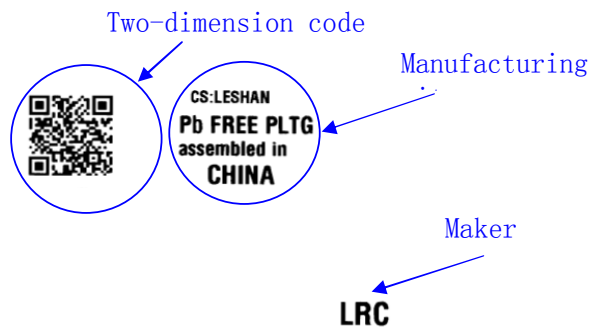
C. Tape lead: face anode side of the reel, upper side is the tape lead position. All labels are at cathode side of the reel.



| | |
|--|-------------------------------|
| 标题: Power Diode SMD Package Packing Spec | DOC NO.: WI-258 |
| | Version: 5 Modification: 0 |
| | Page: 6 |

C. Label Content :
LRC Label

P/N → (1P) LPN: SM140A
 Lot No. → (1T) LOT: 140106049X
 Date code → (9D) DTE: 1403
 Quantity → (Q) QTY: 10000



lot: 140106049X: 140106---2014/1/6; 049----lot number:49; X: product code



EFMBF201 thru EFMBF208

4. Update Record

| 版次 | 更新记录 | 更新作者 | 更新日期 |
|----|------|------|--------------|
| 1 | 第一版 | 周杰 | 2014. 04. 29 |