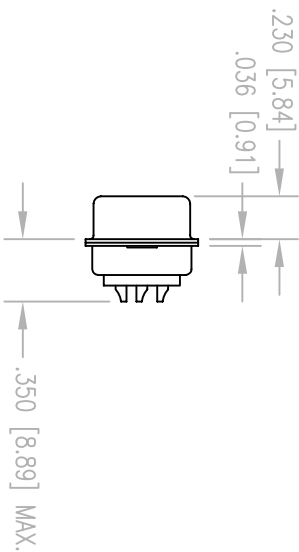
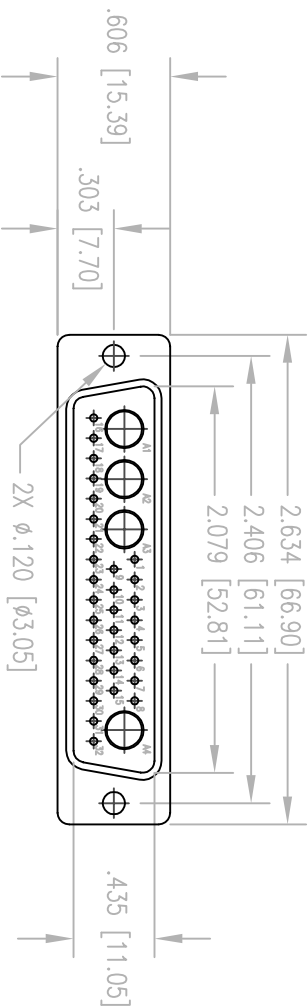
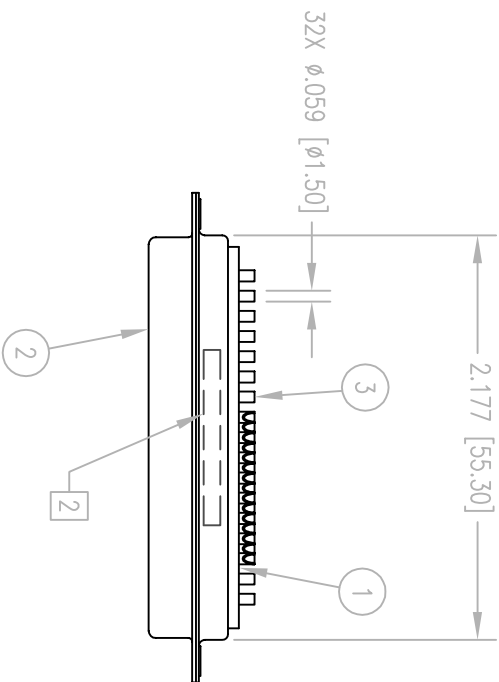


REV.	DESCRIPTION	DATE	BY	APPD.
A	ECR 7726	04/11/03	JEM	



- NOTES:
1. THIS CONNECTOR IS DESIGNED TO MEET THE APPLICABLE PERFORMANCE REQUIREMENTS OF MIL-DTL-24308, MS18271, DSCC 85039 AND DCSS 89082.
 2. APPROXIMATE LOCATION OF MARKING AS SHOWN ON INDICATED SURFACE.

SPECIFICATIONS:

MATERIALS & FINISHES

1. INSULATOR: THERMOPLASTIC POLYESTER, GLASS FILLED
RATED 50 KV/MM. COLOR: GREEN
2. SHELL: STEEL
FINISH: YELLOW CHROMATE OVER ZINC
3. CONTACTS: BRASS
FINISH: GOLD OVER NICKEL

PER ASME Y14.5M-1994 UNLESS OTHERWISE SPECIFIED: DIMENSIONS ARE IN INCHES (MM) DECIMALS .xx ± .01 [0.254] FRACTIONS .xxx ± .005 [0.127] ANGLES ± 2° SCALE 1:1		NORTROP GRUMMAN Winchester Electronics 62 Barnes Industrial Road North Wallingford, CT 06492	
CUSTOMER DRAWING		TITLE D-SUB HOUSING-MIXED LAYOUT (36W4P)	
DRAWN JEM	DATE 04/11/03	CHECKED	DATE
APPROVED	DATE	APPROVED	DATE
A	SDRM36W4P-50-ZB	SHT.	1 OF 1
		REV.	A