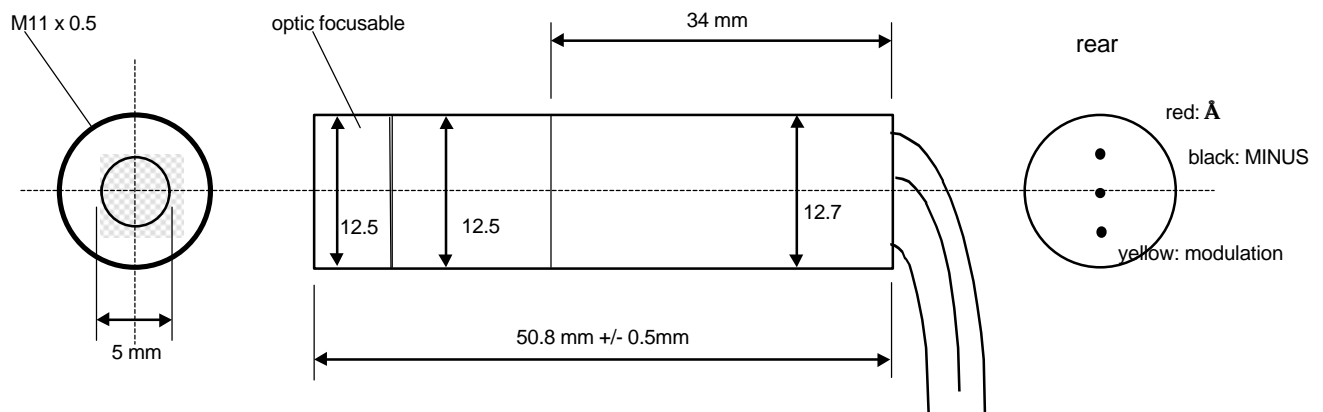


# LASERDIODEMODULE TYPE *LTM*

modulable DC .. 1 MHz

## TECHNICAL DATA:

- diameter: 12.7mm, length: 50.8mm +/- 0.5mm
- supply voltage: 4.0 .. 6.0 VDC (5.0 VDC typ.)
- modulable DC ... 1 MHz. HC, TTL compatible, 0 V: laser OFF, 5 V: Laser ON
- laserdiode APC, power with modulation voltage adjustable
- available cw laserpower: 1mW up to 40mW (40mW only 830nm)
- available wavelengths: 635nm, 650nm, 660nm, 780nm, 808nm, 830nm, 850nm
- focusable, AR-coated 3-lens glass collimator, focus distance: 6cm .. ∞
- beam dimension: typ. 5.8 x 3.4 mm, divergence: 0.25 x 0.33 mrad
- wirelength 10 cm typ. (red: plus, black: minus, yellow: modulation)
- operating temperature: -10°C ... +40°C
- storage temperature: -40°C ... +80°C



## ORDER INFORMATION:

LDMxxx/yyLTM

xxx: wavelength in nm

yy: power in mW

LT: modul type

Example: LDM660/03LTM



Laserstrahlung  
Nicht in den Strahl blicken  
Laser Klasse 2

Laserstrahlung  
Nicht in den Strahl blicken  
Laser Klasse 3A

Laserstrahlung  
Nicht in den Strahl blicken  
Laser Klasse 3B

## **ROITHNER LASERTECHNIK**

A-1040 WIEN, FLEISCHMANNGASSE 9

TEL: +43 -1- 586 52 43 FAX: +43 -1- 586 41 43

e-mail: [office@roithner-laser.com](mailto:office@roithner-laser.com) <http://www.roithner-laser.com>