

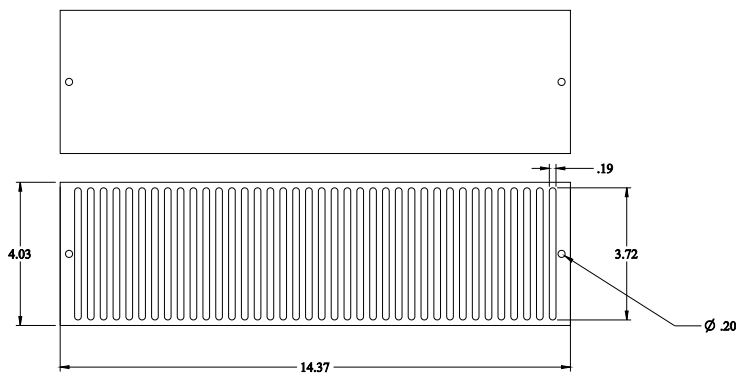
PART No. RHA60000G

for more information visit

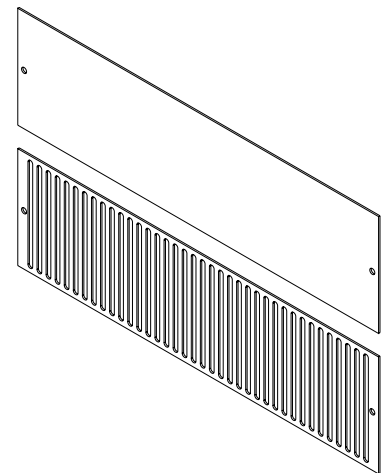
www.hammfg.com

Data subject to change without notice

Isometric drawing Not to Scale



TOP VIEW



ISOMETRIC VIEW