

To our customers,

---

## Old Company Name in Catalogs and Other Documents

---

On April 1<sup>st</sup>, 2010, NEC Electronics Corporation merged with Renesas Technology Corporation, and Renesas Electronics Corporation took over all the business of both companies. Therefore, although the old company name remains in this document, it is a valid Renesas Electronics document. We appreciate your understanding.

Renesas Electronics website: <http://www.renesas.com>

April 1<sup>st</sup>, 2010  
Renesas Electronics Corporation

Issued by: Renesas Electronics Corporation (<http://www.renesas.com>)

Send any inquiries to <http://www.renesas.com/inquiry>.

## Notice

1. All information included in this document is current as of the date this document is issued. Such information, however, is subject to change without any prior notice. Before purchasing or using any Renesas Electronics products listed herein, please confirm the latest product information with a Renesas Electronics sales office. Also, please pay regular and careful attention to additional and different information to be disclosed by Renesas Electronics such as that disclosed through our website.
2. Renesas Electronics does not assume any liability for infringement of patents, copyrights, or other intellectual property rights of third parties by or arising from the use of Renesas Electronics products or technical information described in this document. No license, express, implied or otherwise, is granted hereby under any patents, copyrights or other intellectual property rights of Renesas Electronics or others.
3. You should not alter, modify, copy, or otherwise misappropriate any Renesas Electronics product, whether in whole or in part.
4. Descriptions of circuits, software and other related information in this document are provided only to illustrate the operation of semiconductor products and application examples. You are fully responsible for the incorporation of these circuits, software, and information in the design of your equipment. Renesas Electronics assumes no responsibility for any losses incurred by you or third parties arising from the use of these circuits, software, or information.
5. When exporting the products or technology described in this document, you should comply with the applicable export control laws and regulations and follow the procedures required by such laws and regulations. You should not use Renesas Electronics products or the technology described in this document for any purpose relating to military applications or use by the military, including but not limited to the development of weapons of mass destruction. Renesas Electronics products and technology may not be used for or incorporated into any products or systems whose manufacture, use, or sale is prohibited under any applicable domestic or foreign laws or regulations.
6. Renesas Electronics has used reasonable care in preparing the information included in this document, but Renesas Electronics does not warrant that such information is error free. Renesas Electronics assumes no liability whatsoever for any damages incurred by you resulting from errors in or omissions from the information included herein.
7. Renesas Electronics products are classified according to the following three quality grades: “Standard”, “High Quality”, and “Specific”. The recommended applications for each Renesas Electronics product depends on the product’s quality grade, as indicated below. You must check the quality grade of each Renesas Electronics product before using it in a particular application. You may not use any Renesas Electronics product for any application categorized as “Specific” without the prior written consent of Renesas Electronics. Further, you may not use any Renesas Electronics product for any application for which it is not intended without the prior written consent of Renesas Electronics. Renesas Electronics shall not be in any way liable for any damages or losses incurred by you or third parties arising from the use of any Renesas Electronics product for an application categorized as “Specific” or for which the product is not intended where you have failed to obtain the prior written consent of Renesas Electronics. The quality grade of each Renesas Electronics product is “Standard” unless otherwise expressly specified in a Renesas Electronics data sheets or data books, etc.
  - “Standard”: Computers; office equipment; communications equipment; test and measurement equipment; audio and visual equipment; home electronic appliances; machine tools; personal electronic equipment; and industrial robots.
  - “High Quality”: Transportation equipment (automobiles, trains, ships, etc.); traffic control systems; anti-disaster systems; anti-crime systems; safety equipment; and medical equipment not specifically designed for life support.
  - “Specific”: Aircraft; aerospace equipment; submersible repeaters; nuclear reactor control systems; medical equipment or systems for life support (e.g. artificial life support devices or systems), surgical implantations, or healthcare intervention (e.g. excision, etc.), and any other applications or purposes that pose a direct threat to human life.
8. You should use the Renesas Electronics products described in this document within the range specified by Renesas Electronics, especially with respect to the maximum rating, operating supply voltage range, movement power voltage range, heat radiation characteristics, installation and other product characteristics. Renesas Electronics shall have no liability for malfunctions or damages arising out of the use of Renesas Electronics products beyond such specified ranges.
9. Although Renesas Electronics endeavors to improve the quality and reliability of its products, semiconductor products have specific characteristics such as the occurrence of failure at a certain rate and malfunctions under certain use conditions. Further, Renesas Electronics products are not subject to radiation resistance design. Please be sure to implement safety measures to guard them against the possibility of physical injury, and injury or damage caused by fire in the event of the failure of a Renesas Electronics product, such as safety design for hardware and software including but not limited to redundancy, fire control and malfunction prevention, appropriate treatment for aging degradation or any other appropriate measures. Because the evaluation of microcomputer software alone is very difficult, please evaluate the safety of the final products or system manufactured by you.
10. Please contact a Renesas Electronics sales office for details as to environmental matters such as the environmental compatibility of each Renesas Electronics product. Please use Renesas Electronics products in compliance with all applicable laws and regulations that regulate the inclusion or use of controlled substances, including without limitation, the EU RoHS Directive. Renesas Electronics assumes no liability for damages or losses occurring as a result of your noncompliance with applicable laws and regulations.
11. This document may not be reproduced or duplicated, in any form, in whole or in part, without prior written consent of Renesas Electronics.
12. Please contact a Renesas Electronics sales office if you have any questions regarding the information contained in this document or Renesas Electronics products, or if you have any other inquiries.

(Note 1) “Renesas Electronics” as used in this document means Renesas Electronics Corporation and also includes its majority-owned subsidiaries.

(Note 2) “Renesas Electronics product(s)” means any product developed or manufactured by or for Renesas Electronics.

# RD30LDT595

## 8-bit Serial-in Parallel-out LED Driver IC

REJ03D0906-0200  
Rev.2.00  
Jun 16, 2008

### Description

The RD30LDT595 has eight edge trigger D-type Flip-Flops with eight latches in 16-pin package. Data is input to the serial data input and the clock pulse is input to the clock input. When the clock is changed from "L" to "H", the signal of the data input enters an internal shift register. The data of the shift register is shifted one by one. In addition, output load circuit is added so that power supply prevents a wrong action in on/off. When  $V_{CC}$  is less than a fixed level, the output ( $\overline{Q1}$  to  $\overline{Q8}$ ) compulsorily is off state. Low-voltage and high-speed operation is suitable for battery-powered product (e.g., notebook computers), and the low-power consumption extends the battery life.

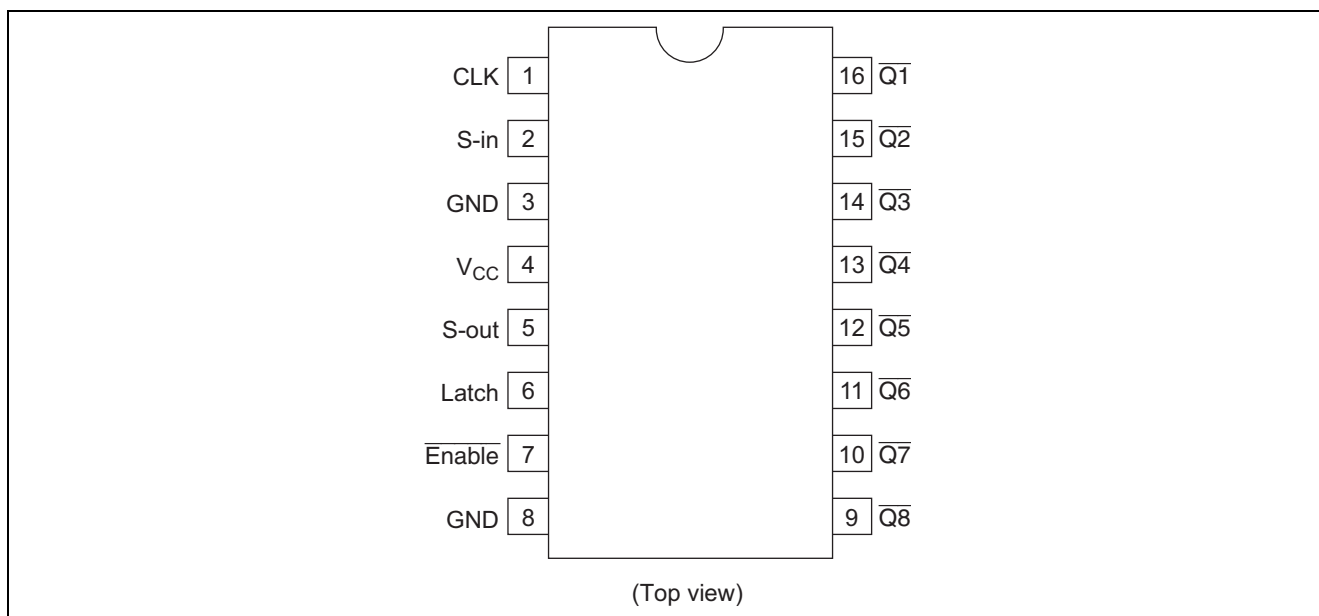
### Features

- Supply voltage range : 4.5 to 5.5 V,  $V_O = 30V$
- Output current :  $I_O = 100\text{ mA}$  (@ $V_{CC} = 5\text{ V}$ )
- All the logical input has hysteresis voltage for the slow transition.
- Input with pull-up resistance. ( $\overline{\text{Enable}}$ , Latch terminal)
- Input with pull-down resistance. (CLK, S-in terminal)
- Ordering Information

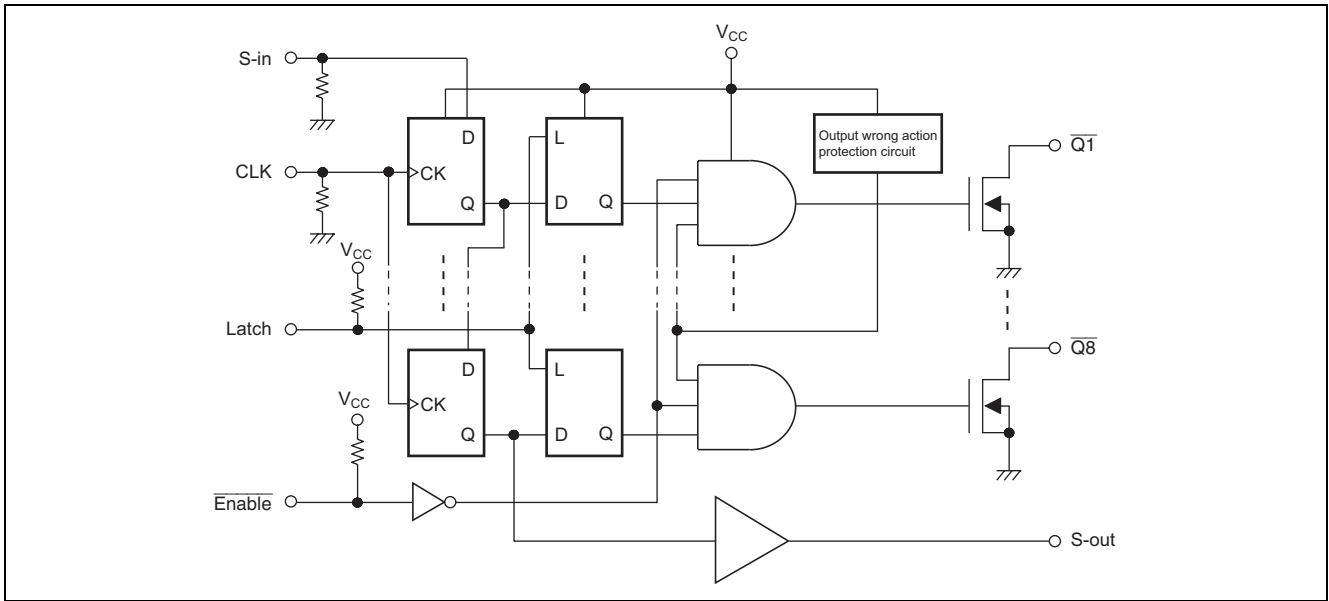
Part Name	Package Type	Package Code (Previous Code)	Package Abbreviation	Taping Abbreviation (Quantity)	Surface Treatment
RD30LDT595PT0	DILP-16 pin	PRDP0016AE-B (DP-16FV)	P	T (1,000 pcs/reel)	0 (Ni/Pd/Au)
RD30LDT595FPH0	SOP-16 pin	PRSP0016DH-B (FP-16DAV)	FP	H (2,000 pcs/reel)	0 (Ni/Pd/Au)

Note: Please consult the sales office for the above package availability.

### Pin Arrangement



Logic Diagram



Function Table

Inputs				Outputs	
S-in	CLK <sup>*1</sup>	Latch	Enable	Q1 to Q8	S-out
L	IN	L	L	t - 1	L
L	IN	H	L	Z	L
H	IN	L	L	t - 1	H
H	IN	H	L	L	H
H	IN	H	H	Z	H

\*1 IN : Input the following signal in CLK



H : High level

L : Low level

Z : High impedance

t - 1 : Output level before the indicated steady state input conditions were established.

## Absolute Maximum Ratings

Item	Symbol	Ratings	Unit	Test Conditions
Supply voltage range	$V_{CC}$	-0.5 to 7	V	
Input voltage range	$V_I$	-0.5 to $V_{CC} + 0.5$	V	
Output voltage range <sup>*1</sup>	$V_O$	-0.5 to 30	V	Output : Z (OFF)
		-0.5 to $V_{CC} + 0.5$	V	S-out
Continuous output current	$I_O$	100	mA	$V_O = 0$ to $V_{CC}$
Maximum power dissipation at $T_a = 25^\circ\text{C}$ (in still air) <sup>*2</sup>	$P_d$	1.19	W	DILP
		0.79		SOP
Storage temperature	$T_{stg}$	-65 to 150	$^\circ\text{C}$	

Notes: The absolute maximum ratings are values which must not individually be exceeded, and furthermore no two of which may be realized at the same time.

1. This value is limited to 30 V maximum.
2. The maximum package power dissipation was calculated using a junction temperature of 150 $^\circ\text{C}$ .

## Recommended Operating Conditions

Item	Symbol	Min	Max	Unit	Conditions		
Supply voltage range	$V_{CC}$	4.5	5.5	V			
Output voltage range	$V_O$	—	30	V	$\overline{Q1}$ to $\overline{Q8}$ : Z (OFF)		
Output current (per pin)	$I_O$	0	100	mA	DILP	Duty cycle $\leq$ 100%	$\overline{Q1}$ to $\overline{Q8}$ : ON
		0	100	mA	SOP	Duty cycle $\leq$ 60%	
Operating free-air temperature	$T_a$	-40	85	$^\circ\text{C}$			

Note: Unused or floating inputs must be held high or low.

## Electrical Characteristic

Item	Symbol	$V_{CC}$ (V) *	$T_a = 25^\circ\text{C}$			$T_a = -40$ to $85^\circ\text{C}$			Unit	Test condition
			Min	Typ	Max	Min	Typ	Max		
Input voltage	$V_{IH}$	4.5 to 5.5	2.0	—	$V_{CC}$	2.0	—	$V_{CC}$	V	
	$V_{IL}$	4.5 to 5.5	0	—	0.8	0	—	0.8	V	
Input current	$I_{IH}$	5.5	—	—	25	—	—	30	$\mu\text{A}$	$V_{IH} = 5.5$ V
	$I_{IL}$	5.5	—	—	-25	—	—	-30	$\mu\text{A}$	$V_{IL} = 0$ V
Output voltage (S-out)	$V_{OH}$	5.0	4.9	—	—	4.9	—	—	V	$I_{OH} = -1$ $\mu\text{A}$
	$V_{OL}$	5.0	—	—	0.1	—	—	0.1	V	$I_{OL} = 1$ $\mu\text{A}$
Output voltage ( $\overline{Q1}$ to $\overline{Q8}$ )	$V_{OL}$	5.0	—	—	0.55	—	—	0.77	V	$I_{OL} = 100$ mA
Output leakage current	$I_{OLK}$	5.5	—	—	50	—	—	100	$\mu\text{A}$	$V_O = 30$ V (Output : Z (OFF))
Quiescent supply current	$I_{CC1}$	5.5	—	—	300	—	—	500	$\mu\text{A}$	Input : Open All driver output : OFF
	$I_{CC2}$	5.5	—	—	300	—	—	500	$\mu\text{A}$	Driver output one circuit : ON
Driver output wrong action protection voltage	$V_{T+}$	—	2.9	3.4	3.9	2.6	3.4	4.2	V	
	$V_{T-}$	—	2.6	3.1	3.6	2.3	3.1	3.9	V	

Note: For conditions shown as Min or Max, use the appropriate values under recommended operating conditions.

## Timing Characteristics

( $V_{CC} = 5\text{ V}$ ,  $C_L = 15\text{ pF}$ ,  $R_L(\text{S-out}) = \infty$ ,  $R_L(\overline{\text{Qn}}) = 100\ \Omega$ ,  $t_r = t_f = 20\text{ ns}$ )

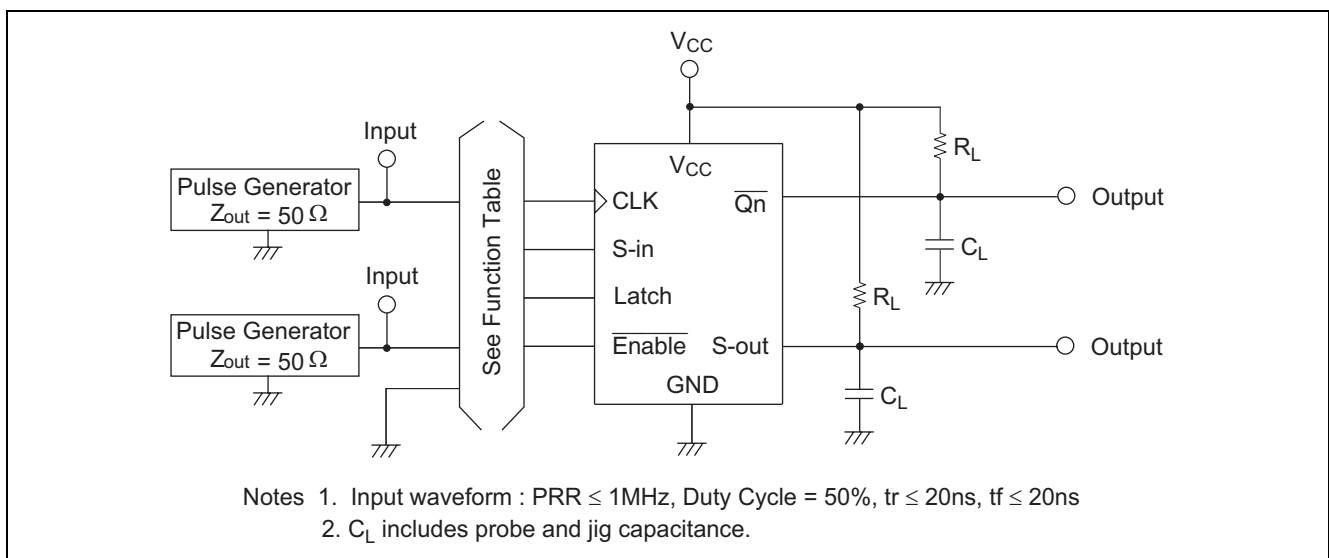
Item	Symbol	$T_a = 25^\circ\text{C}$			$T_a = -40\text{ to }85^\circ\text{C}$			Unit	Test condition
		Min	Typ	Max	Min	Typ	Max		
Maximum clock frequency	$f_{\text{max}}$	—	—	12.5	—	—	12.5	MHz	Duty cycle = 45 % to 55 %
Pulse width	$t_w$	30	—	—	30	—	—	ns	CLK
Pulse width	$t_w$	30	—	—	30	—	—	ns	Latch
Setup time	$t_{\text{su}}$	30	—	—	30	—	—	ns	S-in to CLK
Hold time	$t_h$	20	—	—	20	—	—	ns	S-in to CLK
Setup time	$t_{\text{su}}$	60	—	—	60	—	—	ns	Latch to CLK
Clock pulse rise time	$t_r$	—	—	500	—	—	500	ns	
Clock pulse fall time	$t_f$	—	—	500	—	—	500	ns	

## Switching Characteristics

( $V_{CC} = 5\text{ V}$ ,  $C_L = 15\text{ pF}$ ,  $R_L(\text{S-out}) = \infty$ ,  $R_L(\overline{\text{Qn}}) = 100\ \Omega$ ,  $t_r = t_f = 20\text{ ns}$ )

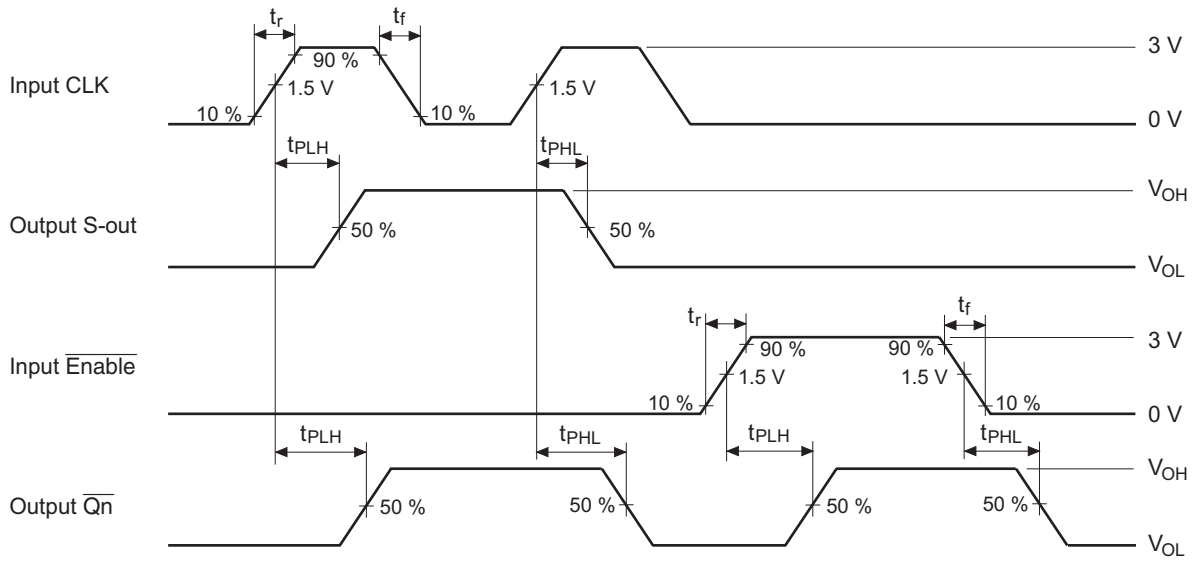
Item	Symbol	$T_a = 25^\circ\text{C}$			$T_a = -40\text{ to }85^\circ\text{C}$			Unit	FROM (Input)	TO (Output)
		Min	Typ	Max	Min	Typ	Max			
Propagation delay time	$t_{\text{PLH}}$	—	—	60	—	—	60	ns	CLK	S-out
	$t_{\text{PHL}}$	—	—	60	—	—	60			
	$t_{\text{PLH}}$	—	—	70	—	—	70	ns	CLK	$\overline{\text{Qn}}$
	$t_{\text{PHL}}$	—	—	70	—	—	70			
	$t_{\text{PLH}}$	—	—	70	—	—	70	ns	$\overline{\text{Enable}}$	$\overline{\text{Qn}}$
	$t_{\text{PHL}}$	—	—	70	—	—	70			

## Test Circuit

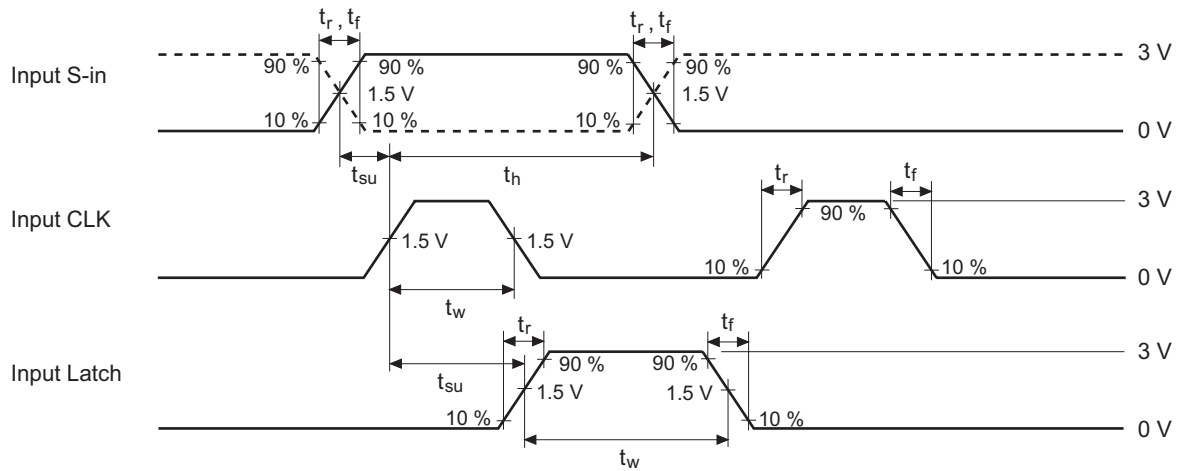


Waveforms

• Waveform – 1



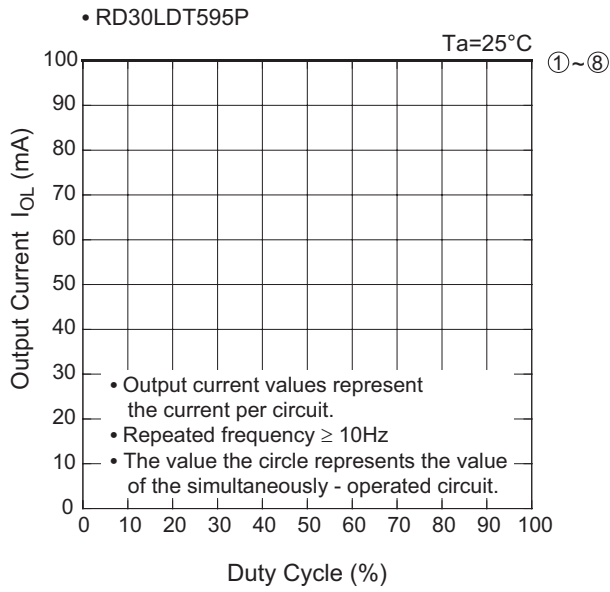
• Waveform – 2



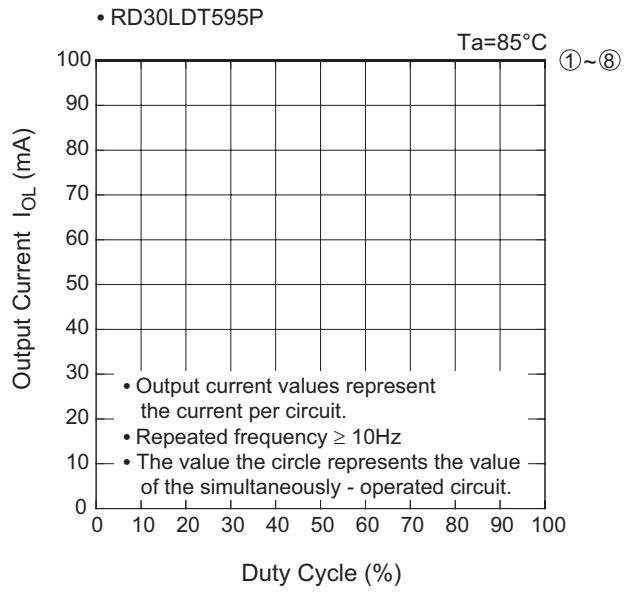
- Notes 1. Input waveform : PRR  $\leq$  1 MHz,  $Z_o = 50 \Omega$ ,  $t_r \leq 20$  ns,  $t_f \leq 20$  ns  
 2. The output are measured one at a time with one transition per measurement.

Application Data

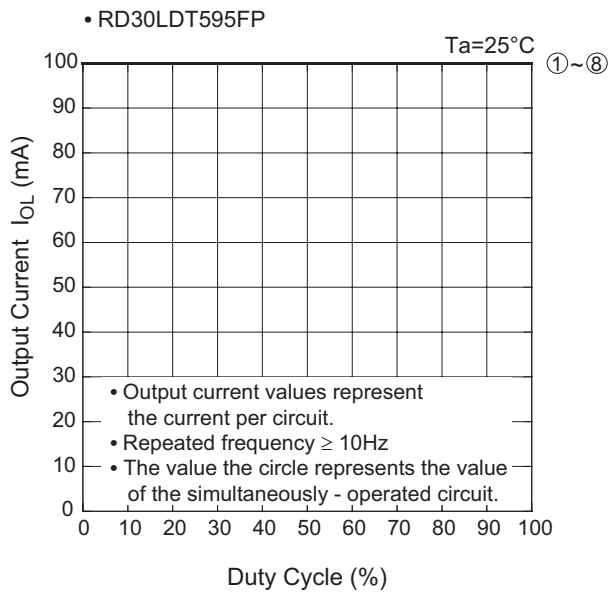
Duty Cycle – Output Current Characteristics



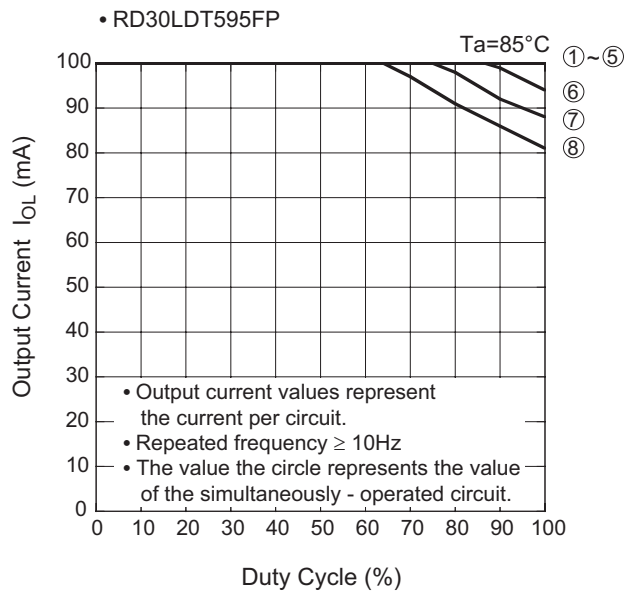
Duty Cycle – Output Current Characteristics



Duty Cycle – Output Current Characteristics



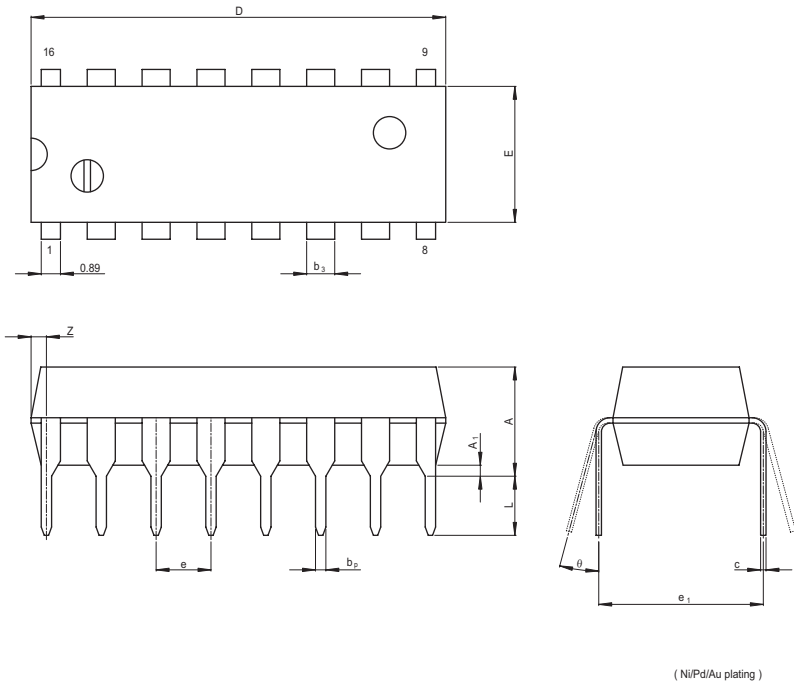
Duty Cycle – Output Current Characteristics





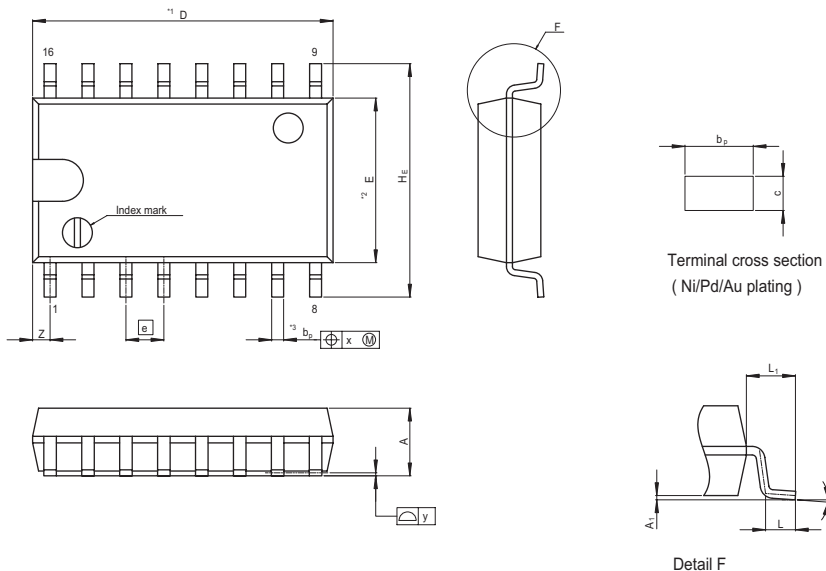
Package Dimensions

JEITA Package Code	RENESAS Code	Previous Code	MASS[Typ.]
P-DIP16-6.3x19.2-2.54	PRDP0016AE-B	DP-16FV	1.05g



Reference Symbol	Dimension in Millimeters		
	Min	Nom	Max
e <sub>1</sub>	—	7.62	—
D	—	19.2	20.32
E	—	6.3	7.4
A	—	—	5.06
A <sub>1</sub>	0.51	—	—
b <sub>p</sub>	0.40	0.48	0.56
b <sub>3</sub>	—	1.30	—
c	0.19	0.25	0.31
θ	0°	—	15°
e	2.29	2.54	2.79
Z	—	—	1.12
L	2.54	—	—

JEITA Package Code	RENESAS Code	Previous Code	MASS[Typ.]
P-SOP16-5.5x10.06-1.27	PRSP0016DH-B	FP-16DAV	0.24g



NOTE:  
 1. DIMENSIONS\*\*1 (Nom)\*\*AND\*\*2\* DO NOT INCLUDE MOLD FLASH.  
 2. DIMENSION\*\*3\*DOES NOT INCLUDE TRIM OFFSET.

Reference Symbol	Dimension in Millimeters		
	Min	Nom	Max
D	—	10.06	10.5
E	—	5.50	—
A <sub>2</sub>	—	—	—
A <sub>1</sub>	0.00	0.10	0.20
A	—	—	2.20
b <sub>p</sub>	0.34	0.40	0.46
b <sub>1</sub>	—	—	—
c	0.15	0.20	0.25
c <sub>1</sub>	—	—	—
θ	0°	—	8°
HE	7.50	7.80	8.00
⌀	—	1.27	—
x	—	—	0.12
y	—	—	0.15
Z	—	—	0.80
L	0.50	0.70	0.90
L <sub>1</sub>	—	1.15	—

Notes:

1. This document is provided for reference purposes only so that Renesas customers may select the appropriate Renesas products for their use. Renesas neither makes warranties or representations with respect to the accuracy or completeness of the information contained in this document nor grants any license to any intellectual property rights or any other rights of Renesas or any third party with respect to the information in this document.
2. Renesas shall have no liability for damages or infringement of any intellectual property or other rights arising out of the use of any information in this document, including, but not limited to, product data, diagrams, charts, programs, algorithms, and application circuit examples.
3. You should not use the products or the technology described in this document for the purpose of military applications such as the development of weapons of mass destruction or for the purpose of any other military use. When exporting the products or technology described herein, you should follow the applicable export control laws and regulations, and procedures required by such laws and regulations.
4. All information included in this document such as product data, diagrams, charts, programs, algorithms, and application circuit examples, is current as of the date this document is issued. Such information, however, is subject to change without any prior notice. Before purchasing or using any Renesas products listed in this document, please confirm the latest product information with a Renesas sales office. Also, please pay regular and careful attention to additional and different information to be disclosed by Renesas such as that disclosed through our website. (<http://www.renesas.com>)
5. Renesas has used reasonable care in compiling the information included in this document, but Renesas assumes no liability whatsoever for any damages incurred as a result of errors or omissions in the information included in this document.
6. When using or otherwise relying on the information in this document, you should evaluate the information in light of the total system before deciding about the applicability of such information to the intended application. Renesas makes no representations, warranties or guarantees regarding the suitability of its products for any particular application and specifically disclaims any liability arising out of the application and use of the information in this document or Renesas products.
7. With the exception of products specified by Renesas as suitable for automobile applications, Renesas products are not designed, manufactured or tested for applications or otherwise in systems the failure or malfunction of which may cause a direct threat to human life or create a risk of human injury or which require especially high quality and reliability such as safety systems, or equipment or systems for transportation and traffic, healthcare, combustion control, aerospace and aeronautics, nuclear power, or undersea communication transmission. If you are considering the use of our products for such purposes, please contact a Renesas sales office beforehand. Renesas shall have no liability for damages arising out of the uses set forth above.
8. Notwithstanding the preceding paragraph, you should not use Renesas products for the purposes listed below:
  - (1) artificial life support devices or systems
  - (2) surgical implantations
  - (3) healthcare intervention (e.g., excision, administration of medication, etc.)
  - (4) any other purposes that pose a direct threat to human lifeRenesas shall have no liability for damages arising out of the uses set forth in the above and purchasers who elect to use Renesas products in any of the foregoing applications shall indemnify and hold harmless Renesas Technology Corp., its affiliated companies and their officers, directors, and employees against any and all damages arising out of such applications.
9. You should use the products described herein within the range specified by Renesas, especially with respect to the maximum rating, operating supply voltage range, movement power voltage range, heat radiation characteristics, installation and other product characteristics. Renesas shall have no liability for malfunctions or damages arising out of the use of Renesas products beyond such specified ranges.
10. Although Renesas endeavors to improve the quality and reliability of its products, IC products have specific characteristics such as the occurrence of failure at a certain rate and malfunctions under certain use conditions. Please be sure to implement safety measures to guard against the possibility of physical injury, and injury or damage caused by fire in the event of the failure of a Renesas product, such as safety design for hardware and software including but not limited to redundancy, fire control and malfunction prevention, appropriate treatment for aging degradation or any other applicable measures. Among others, since the evaluation of microcomputer software alone is very difficult, please evaluate the safety of the final products or system manufactured by you.
11. In case Renesas products listed in this document are detached from the products to which the Renesas products are attached or affixed, the risk of accident such as swallowing by infants and small children is very high. You should implement safety measures so that Renesas products may not be easily detached from your products. Renesas shall have no liability for damages arising out of such detachment.
12. This document may not be reproduced or duplicated, in any form, in whole or in part, without prior written approval from Renesas.
13. Please contact a Renesas sales office if you have any questions regarding the information contained in this document, Renesas semiconductor products, or if you have any other inquiries.



**RENESAS SALES OFFICES**

<http://www.renesas.com>

Refer to "<http://www.renesas.com/en/network>" for the latest and detailed information.

**Renesas Technology America, Inc.**  
450 Holger Way, San Jose, CA 95134-1368, U.S.A  
Tel: <1> (408) 382-7500, Fax: <1> (408) 382-7501

**Renesas Technology Europe Limited**  
Dukes Meadow, Millboard Road, Bourne End, Buckinghamshire, SL8 5FH, U.K.  
Tel: <44> (1628) 585-100, Fax: <44> (1628) 585-900

**Renesas Technology (Shanghai) Co., Ltd.**  
Unit 204, 205, AZIACenter, No.1233 Lujiazui Ring Rd, Pudong District, Shanghai, China 200120  
Tel: <86> (21) 5877-1818, Fax: <86> (21) 6887-7858/7898

**Renesas Technology Hong Kong Ltd.**  
7th Floor, North Tower, World Finance Centre, Harbour City, Canton Road, Tsimshatsui, Kowloon, Hong Kong  
Tel: <852> 2265-6688, Fax: <852> 2377-3473

**Renesas Technology Taiwan Co., Ltd.**  
10th Floor, No.99, Fushing North Road, Taipei, Taiwan  
Tel: <886> (2) 2715-2888, Fax: <886> (2) 3518-3399

**Renesas Technology Singapore Pte. Ltd.**  
1 Harbour Front Avenue, #06-10, Keppel Bay Tower, Singapore 098632  
Tel: <65> 6213-0200, Fax: <65> 6278-8001

**Renesas Technology Korea Co., Ltd.**  
Kukje Center Bldg. 18th Fl., 191, 2-ka, Hangang-ro, Yongsan-ku, Seoul 140-702, Korea  
Tel: <82> (2) 796-3115, Fax: <82> (2) 796-2145

**Renesas Technology Malaysia Sdn. Bhd**  
Unit 906, Block B, Menara Amcorp, Amcorp Trade Centre, No.18, Jln Persiaran Barat, 46050 Petaling Jaya, Selangor Darul Ehsan, Malaysia  
Tel: <603> 7955-9390, Fax: <603> 7955-9510