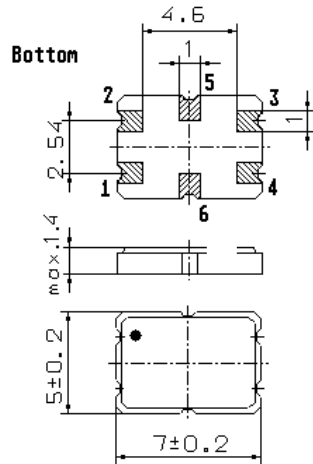


Specification for monolithic crystal filter:

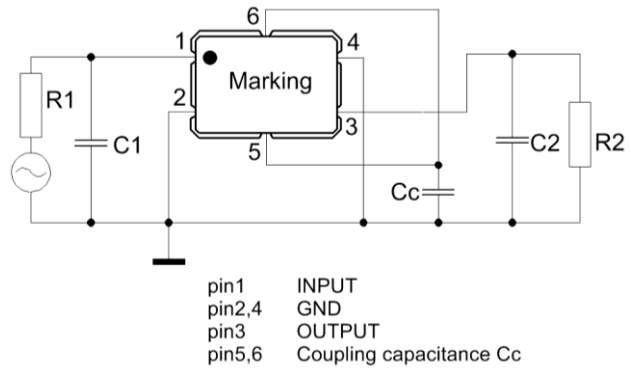
MQF 45.0-0750/21

1. General

1.1. Package:



GS 2



- | | |
|-----------------------------------|------------------|
| 1.2. Type name: | MQF 45.0-0750/21 |
| 1.3. Number of poles: | 4 |
| 1.4. Operating temperature range: | -25°C to +85°C |
| 1.5. Storage temperature range: | -55°C to +85°C |

2. Electric values

- | | |
|---|--|
| 2.1. Nominal centre frequency fo: | 45.0 MHz |
| 2.2. Pass band | |
| 2.2.1. Bandwidth between 3 dB - frequencies: | $\geq f_o \pm 3.75$ kHz |
| 2.2.2. Ripple: | ≤ 1.0 dB at $f_o \pm 2.5$ kHz |
| 2.2.3. Insertion loss:
(measured on smallest attenuation in pass band) | ≤ 4.0 dB |
| 2.3. Stop band | |
| 2.3.1. $f_o \pm 12.5$ kHz | ≥ 30 dB |
| 2.3.2. $f_o -200$ kHz.....-1000 kHz | ≥ 80 dB |
| 2.3.3. $f_o +200$ kHz.....+600 kHz | ≥ 70 dB |
| 2.3.4. $f_o +600$ kHz.....+1000 kHz | ≥ 20 dB |
| 2.3.5. Spurious responses: | ≥ 30 dB in the range $f_o+12.5 < f < f_o+1$ MHz |
| 2.4. Terminating impedance R//C (input and output): | 550 Ω // 2.5 pF |
| 2.4.1. Coupling capacitance (Cc): | 13 pF |
| 3. Marking: | M45B4
date code |
| 4. Environment conditions: | Corresponding to Vectron standard CF001 |
| 5. Filters are Pb-free and 2002 /95 / EC RoHS compliant | |

Edited by: _____ date: _____ name: _____