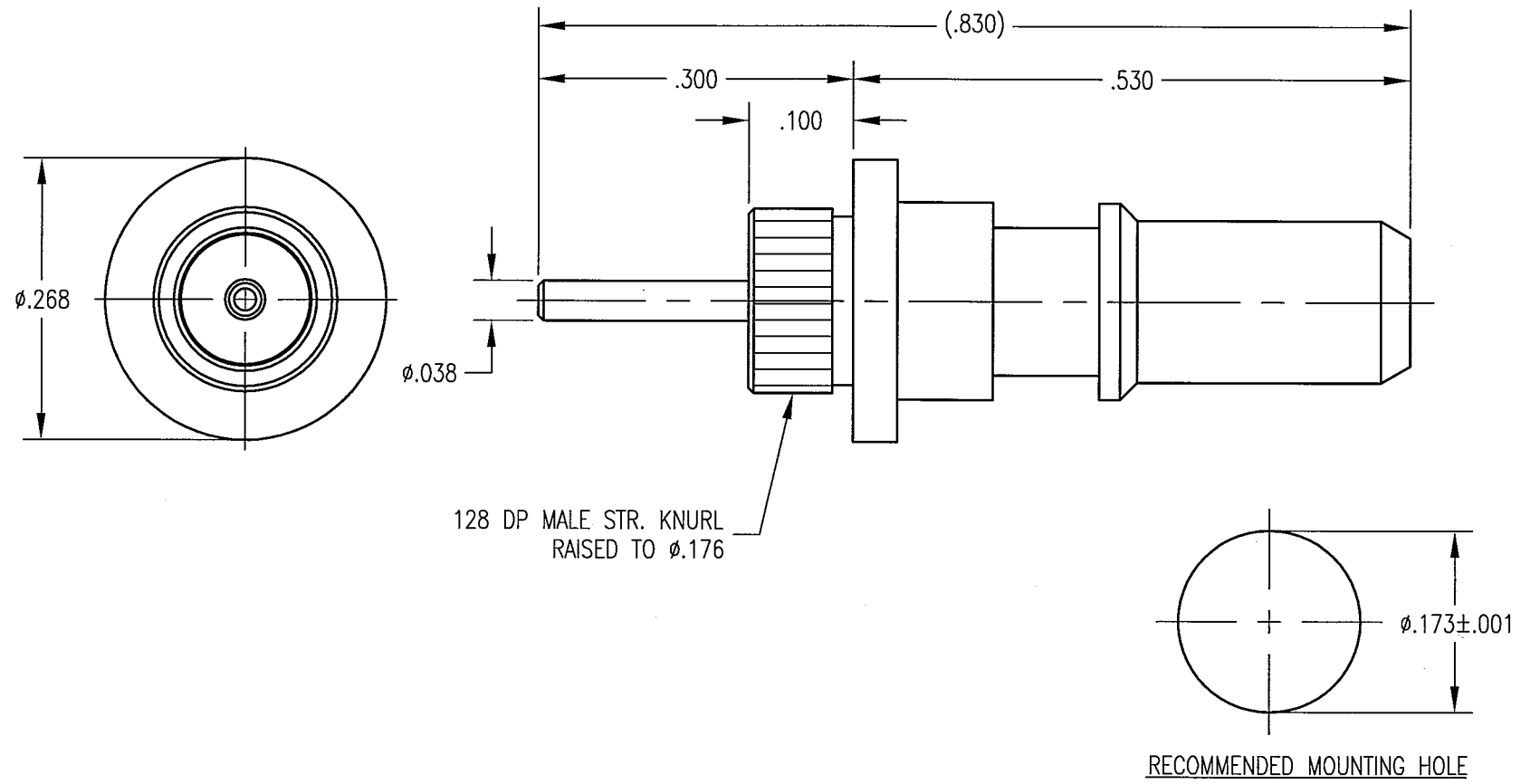


REV	DESCRIPTION	BY DATE	APPD
B	ECR 7389	9/19/01 20/8/01	JWH KJT



NOTES:

- MATERIALS:
 CONTACT: COPPER ALLOY
 INSULATOR: TEFLON PER ASTM D1710
 BODY: BRASS PER ASTM B16
- FINISH:
 ALL METAL PARTS: .000030 MIN. GOLD PER MIL-G-45204 OVER
 .000050 MIN. NICKEL PER QQ-N-290

PER ASME Y14.5M-1994 UNLESS OTHERWISE SPECIFIED: DIMENSIONS ARE IN INCHES [MM]		NORTHROP GRUMMAN	
TOLERANCES: DECIMALS .XX ± .01 [0.254] .XXX ± .005 [0.127]		Winchester Electronics 400 Park Road Watertown, CT 06795	
ANGLES ± 2°		SCALE: 6:1	
CUSTOMER DRAWING		TITLE PRESS FIT 31 SERIES PLUG	
DRAWN JEM	DATE 9/19/01	CHECKED JWH	DATE 9/20/01
APPROVED KJT	DATE 9/20/01	APPROVED JED	DATE 9/20/01
A		310-010-2041G	SHT. OF REV. 1 1 B