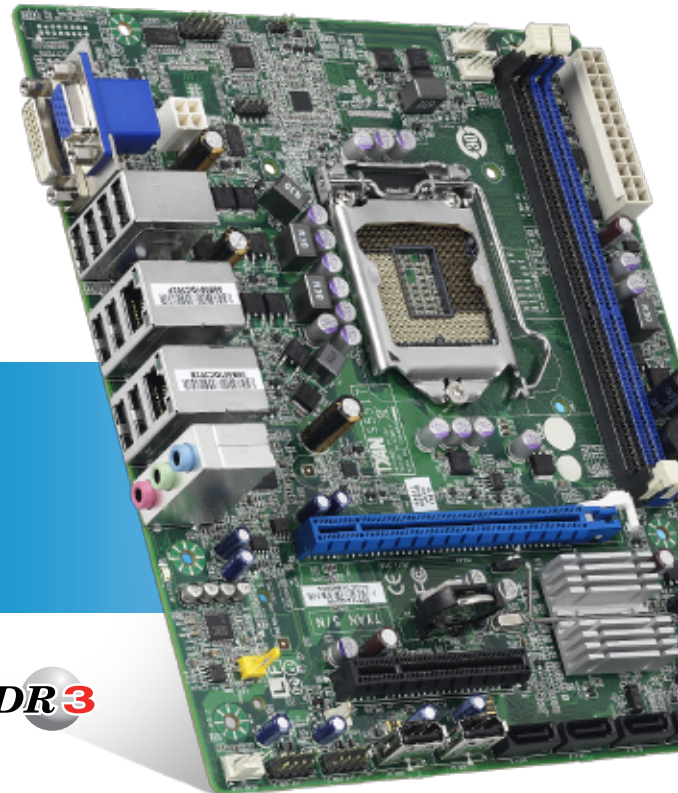
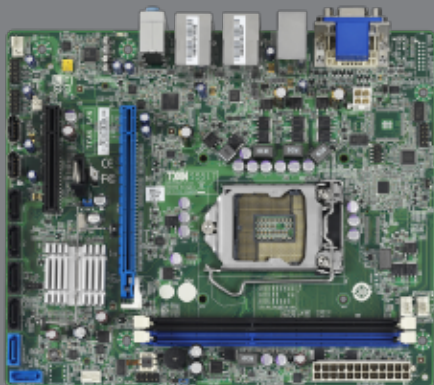
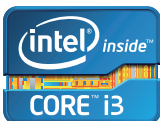
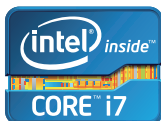


SINGLE-SOCKET EMBEDDED PLATFORM



S5517
S5517AG2NR



■ Intel® Q67 Chipset

Entry single-socket for Embedded Product

- Single LGA1155 socket supports (1) I3/I5/I7 32nm/ 22nm series CPU
- Intel® Q67 PCH
- (2) 240-pin DDR3 DIMM slots support up to 16GB U-DDR3 *1600/1333/1066MHz without ECC memory
- (1) PCI-E Gen.2/ Gen.3* x16 slot
- (1) PCI-E Gen.2 x8 slots (w/ x4 link)
- (4) SATA-II connectors w/ RAID 0, 1, 10, 5 support
- (2) SATA-III connectors
- (2) GbE LAN
- (8) USB2.0 ports on rear I/O

* Features provided by i3/i5/i7, 22nm(Ivy Bridge)CPU



S5517

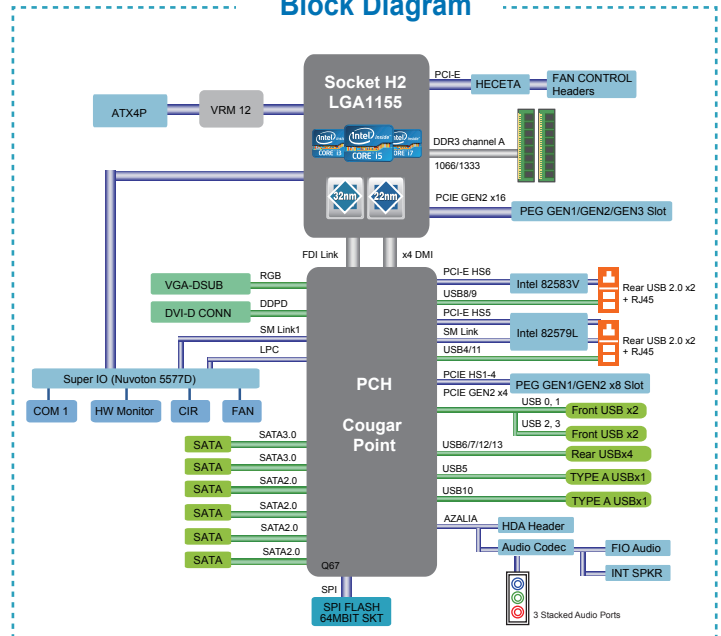
S5517AG2NR

TYAN Specifications

Processor	Supported CPU Series	Intel® Core i3/ i5/ i7 32nm/22nm series processors	
	Socket Type / Q'ty	LGA 1155/ (1)	
	Thermal Design Power (TDP) wattage	Max up to 95W	
Chipset	PCH	Intel® Q67	
	Super I/O	Nuvoton 5577D	
Memory	Supported DIMM Qty	(2) DIMM slots	
	DIMM Type / Speed	Unbuffered Non-ECC DDR3 1600*/ 1333/1066	
	Capacity	Up to 16GB	
	Memory channel	2 Channels	
Expansion Slots	Memory voltage	1.5V	
	PCI-E	(1) PCI-E Gen.2/Gen3* x16 slot (1) PCI-E Gen.2 x8 slot (w/ x4 link)	
LAN	Port Q'ty	(2)	
	Controller	Intel® 82583V	
Storage	PHY	Intel® 82579LM	
	SATA	Connector	(6) SATA
		Controller	Intel® Q67
		Speed	(2) 6.0 Gb/s (blue color), (4) 3.0 Gb/s (black color)
		RAID	RAID 0/1/10/5 (Intel RST)
Graphic	Connector type	D-Sub 15-pin / DVI-D	
	Resolution	Up to 1920x1440	
	Chipset	Intel® Q67	
Audio	Chipset	Realtek ALC888	
	Feature	High Definition Audio	
TPM (Optional)	Chipset	Nuvoton WPCT210AA0WX (Optional)	
	Version	TPM v1.2	
Input / Output	USB	(8) USB 2.0 ports (at rear)	
	COM	(1) header	
	VGA	(1) D-Sub 15-pin VGA port	
	DVI	(1) connector	
	Audio	LINE_IN, LINE_OUT, MIC_IN connectors	
	RJ-45	(2) GbE ports	
	Power	SSI/ATX 24-pin + 4-pin power connectors	
	Front Panel	(1) 2 x 5 header	
	SATA	(4) SATA-II and (2) SATA-III connectors	
System Monitoring	Chipset	Nuvoton 5577D	
	Voltage	Monitors voltage for CPU, memory, chipset & power supply	
	Fan	Total (4) 4-pin headers	
	Temperature	Monitors temperature for CPU & system environment	
BIOS	Brand / ROM size	8MB / AMI	
	Feature	Plug and Play (PnP) /PCI2.3 /WfM2.0 /SMBIOS2.3 /PXE boot / ACPI 2.0 power management /Power on mode after power recovery / User-configurable H/W monitoring / Auto-configurable of hard disk types	

* Features provided by i3/i5/i7, 22nm(Ivy Bridge)CPU

Block Diagram



Physical Dimension	Form Factor	Flex ATX
	Board Dimension	9"x7.5" (228.6x190.5mm)
Operating System	OS supported list	Please refer to our OS supported list.
	FCC (DoC)	Class B
Regulation	CE (DoC)	Yes
	Operating Temp.	0° C ~ 55° C (32° F ~ 131° F)
Operating Environment	Non-operating Temp.	- 40° C ~ 70° C (-40° F ~ 158° F)
	In/Non-operating Humidity	90%, non-condensing at 35° C
RoHS	RoHS 6/6 Compliant	Yes
Package Contains	Motherboard	(1) S5517 Motherboard
	Manual	(1) User's manual / (1) Quick Ref. Guide
	Installation CD	(1) TYAN installation CD
	I/O Shield	(1) I/O Shield
	Cable	SATA (6) SATA signal cables USB (1) CCBL-035J, 2-port USB bracket cable

(Specifications are subject to change without notice. Items pictured may only be representative.)

MITAC INTERNATIONAL CORP.
TYAN Business Unit

USA
Tel: +1-510-651-8868
Fax: +1-510-651-7688

Taiwan
Tel: +886-2-2652-5888
Fax: +886-2-2652-5805

Japan
Tel: +81-3-3769-8311
Fax: +81-3-3769-8328

Europe
Sales: +32 2456 1721
Technical Support: +32 2456 1722

China
Shanghai Tel: +86-21-61431188 Ext 1366
China Tel: +86-010-62555015 Ext 8302