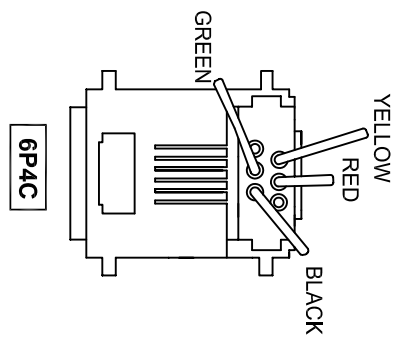
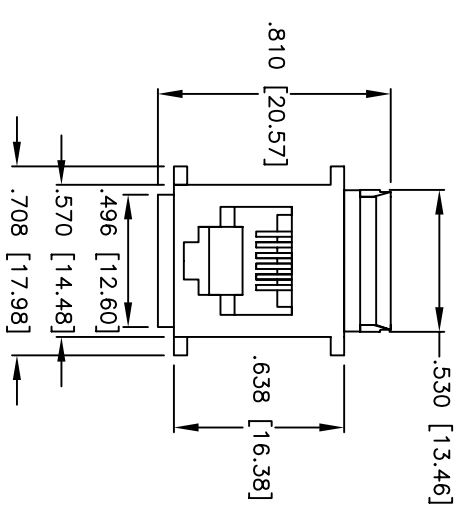
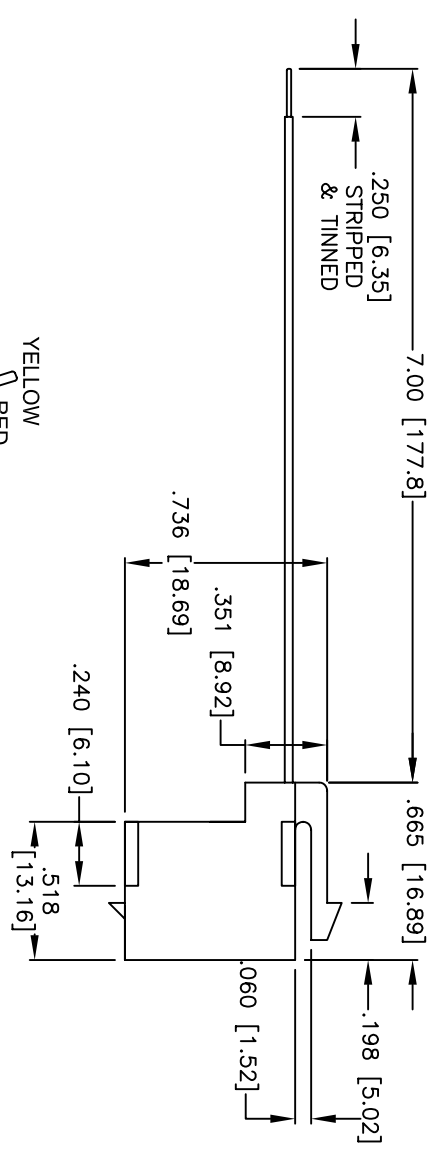


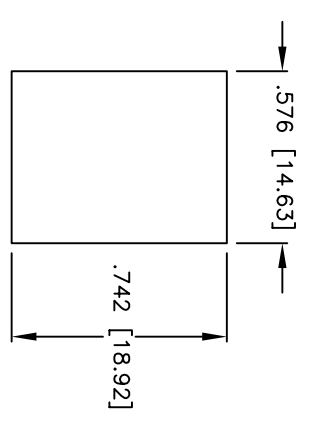
Rev	AWO #	Description	Date	Appr
-	5442	RELEASED	8/29/05	

APPROVED: \_\_\_\_\_ TITLE: \_\_\_\_\_  
 DATE: \_\_\_\_\_



X	PLATING
0	15 μ" Gold
1	30 μ" Gold
2	50 μ" Gold

**RECOMMENDED PANEL CUTOUT**



**SPECIFICATIONS:**

Material: Insulator: ABS, rated UL 94V-0  
 Insulator color: Black  
 Contacts: Phosphor Bronze  
 Wires: 26 AWG, UL0 1061, Stranded, PVC insulated  
 Plating:  
 15μ" Gold over Nickel underplate on mating area  
 Electrical:  
 Operating voltage: 150 VAC max.  
 Current rating: 1.5 Amps max.  
 Contact resistance: 20 mohms max. initial  
 Insulation resistance: 1000 Mohms min.  
 Dielectric withstanding voltage: 1,000 VAC for 1 minute  
 Temperature Rating: Operating temperature: -40°C to +125°C  
 Environmental:  
 Lead free, RoHS compliant

**ADAM TECH**

909 Railway Avenue, Union, NJ 07083  
 Phone: 908-687-5000 Fax: 908-687-5710

WIRE LEADED TELEPHONE JACK, 26 AWG,  
 7" LEADS, .25 [6.35] STRIPPED & TINNED

UNLESS OTHERWISE SPECIFIED ALL DIMENSIONS ARE INCHES [MM]	
TOLERANCES: EXCEPT AS NOTED	HOLDS
INCHES	INCHES
.X ± .10	ØX ± .10
.XX ± .020	ØXX ± .015
.XXX ± .015	ØXXX ± .010
APPROVALS	DATE
DRAWN	SS
CHECKED	8/29/05
APPROVED	

TITLE	SIZE	PART NO.	REV.
WIRE LEADED TELEPHONE JACK, 26 AWG, 7" LEADS, .25 [6.35] STRIPPED & TINNED	X	MTJP-648-K4-X-A1-1	
REF:	SCALE:	NTS	SHEET 1 OF 1